



GEZE APOLL ROLLER-GUIDED GEARS
FOR SLIDING DOORS, END-FOLDING
AND CENTRE-FOLDING DOORS



GEZE APOLL ROLLER-GUIDED GEARS FOR SLIDING DOORS

CONTENTS

GEZE Apoll – The roller sliding door fitting system for particularly heavy industrial doors	4
Apoll for sliding doors	5
Apoll for end-folding doors	20
Apoll für centre-folding doors	27
Apoll accessories for end-folding and centre-folding sliding doors	33
Product information for sliding door gears	39

GEZE APOLL

The roller sliding door fitting system for particularly heavy industrial doors

Apoll, the largest roller sliding door fitting system from GEZE, can be used to implement all heavy sliding door systems, such as, car park sliding gates. Apoll has already proved itself to be successful in conveyor and moving systems and as mounting aids in trade and industry. The sendzimir galvanisation of the steel running rail and the other parts ensure high protection from corrosion.

Product features

- For door leaves elements with up to 600 kg
- Suitable for all sliding doors and door materials
- Wall and floor installation
- Durable solutions with single and double roller carriages
- No contamination due to the closed runner
- Prismatic running rail ensure optimal operation
- Hardened steel rollers, ball bearing mounted
- Ball bearing mounted plastic rollers for particularly quiet operation
- Movable hanger available in three strengths
- Individual radii for running rails available on request.
- Designs: Single or double roller carriage with steel or plastic rollers

Standard version/Scope of delivery:

- Steel, sendzimir galvanised running rails
- All other parts galvanised

GEZE APOLL ROLLER-GUIDED GEARS FOR SLIDING DOORS

GEZE Apoll for sliding doors – Size 0,1,2

Product features

- Enclosed tubular track
- Prismatic troughs
- Tempered rollers with ball bearings
- Movable hangers
- 3 sizes

Range of applications

- For all sliding doors
- For all door materials
- For side an soffit-fixing
- For conveying and shifting systems
- As mounting aids for trade and industrial applications
- For heavy loads, see table



Load-bearing capacity of track with 700 mm bracket spacing:	
Size 0	150 kg/m
Size 1	350 kg/m
Size 2	600 kg/m

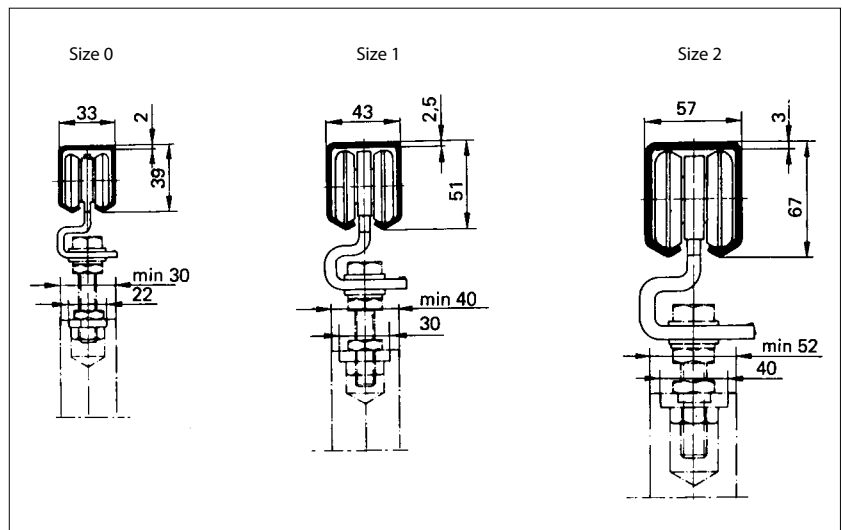


Fig. 05-1

GEZE Apoll	Number of rollers	Material of rollers	Permissible door weight of sliding doors	Roller load of conveyors ^{*)}
Size 0	single	steel	75 kg	50 kg
	single	plastic	50 kg	25 kg
	double	steel	150 kg	100 kg
	double	plastic	100 kg	50 kg
Size 1	single	steel	175 kg	100 kg
	single	plastic	100 kg	50 kg
	double	steel	350 kg	200 kg
	double	plastic	200 kg	100 kg
Size 2	single	steel	300 kg	200 kg
	single	○	○	○
	double	steel	600 kg	300 kg
	double	○	○	○

● = yes, ○ = no

^{*)}central suspended load

GEZE Apoll for sliding doors

Application methods

When installing a sliding door, it is essential that stability and static and dynamic equilibrium are assured. The height-to-width ratio, and the resulting different hanging points and fittings, such as door plates or edge-fixing hangers, is therefore decisive.

At a width-to-height ratio greater than 1, it is recommended to move the hanging point $0.2 \times W$ towards the middle of the door (picture 1).

At a width-to-height ratio less than 1, it is best to select edge-fixing hangers, -41, especially for very narrow doors (picture 2).

With 2-leaf or multi-leaf door units, edge-fixing hangers, -42, which prevent the rollers from colliding, should be used (picture 3).

The door stop -3 (picture 5) is not intended for door stopping, but only as a mounting aid and safety device when installing the sliding door. When the door is in service a wall-fixed door stop, -66, must be positioned at the centre of gravity of the door to stop it. Two wall-fixed stops, -66, are also possible (picture 4).

Door stops centered or at 2 points.

The flat-plate guide roller, -50, can be used for all door guides, irrespective of which overhead hanger is selected. However, an edge-fixing guide roller, -51, -52, will be stronger (picture 6).

With straight-in opening sliding doors the position of the floor guides is independent of the fixing point of the overhead hangers.

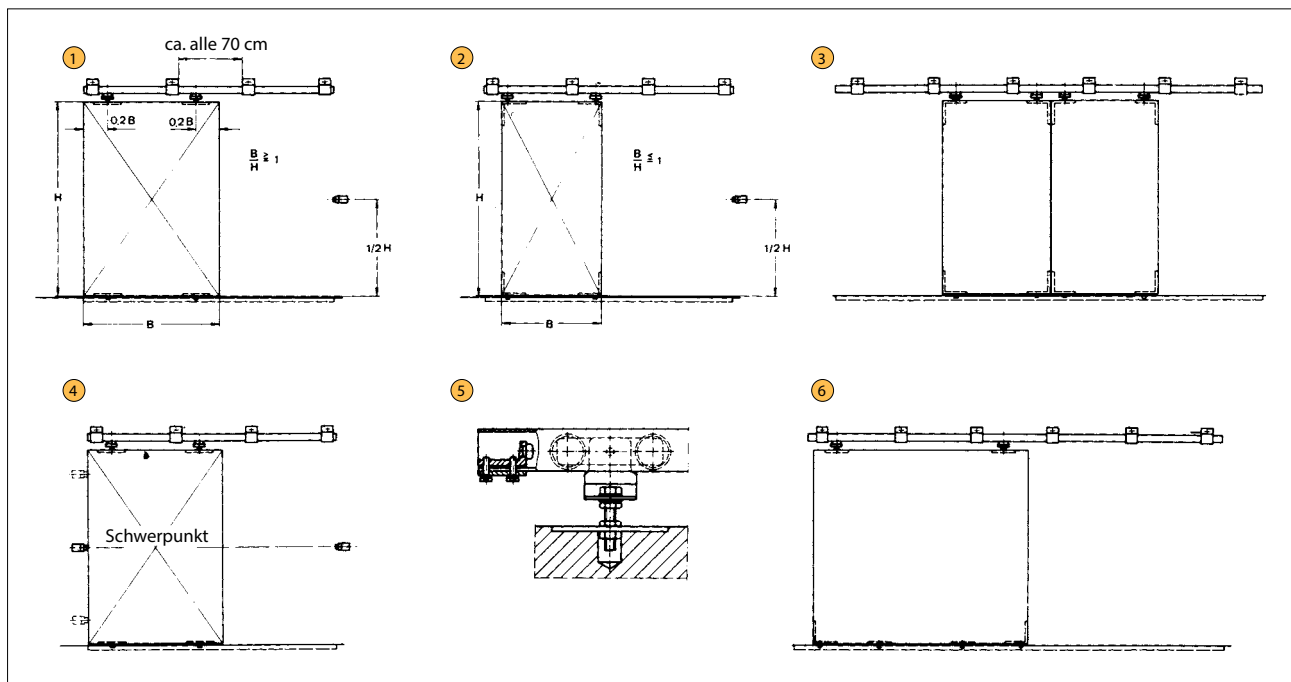


Fig. 06-2

Note: The fittings are identified by numbers. The numbering is based on the following system: The number before the dash indicates the fitting size, the number after the dash the part number. That is to say, the number after the dash is the specific part identifier. The number before the dash changes according to the fitting size.

Examples:

1-10 = GEZE Apoll size 1, Side-fixing bracket No. 10

2-10 = GEZE Apoll size 2, Side-fixing bracket No. 20

0-55 = GEZE Apoll size 0, Curved floor channel No. 55

GEZE APOLL ROLLER-GUIDED GEARS FOR SLIDING DOORS

GEZE Apoll for sliding doors – Mounting options

Side and soffit-fixing with bracket, door with door plate

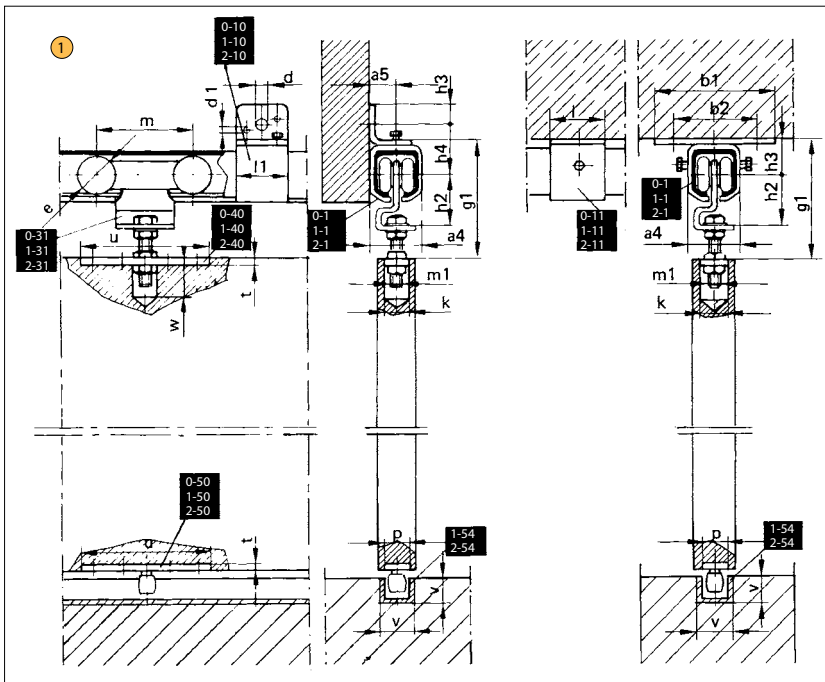


Fig. 07-1

①	Size 0	Size 1	Size 2
a4	41	52,5	70
a5	20,5	26,5	35
b1	100	135	170
b2	70	91	114
d	9	13	15
d1	6,4	9	11
e	32	42	56
g1	89-112	116-139	149-177
h2	41,5	53	71
h3	● 15	18	24,5
h3	● 29	38	48,5
h4	43	55,5	72,5
k	∅ 22	∅ 24	∅ 30
l	45	65	85
l1	45	65	95
m	80	114	140
m1	M 10	M 12	M 16
p	22	30	40
t	5	6	8
u	110	180	220
v	20	20	30
w	35	45	53

● = side-fixing
 ● = soffit-fixing

Side and soffit-fixing with console, door with edge-fixing

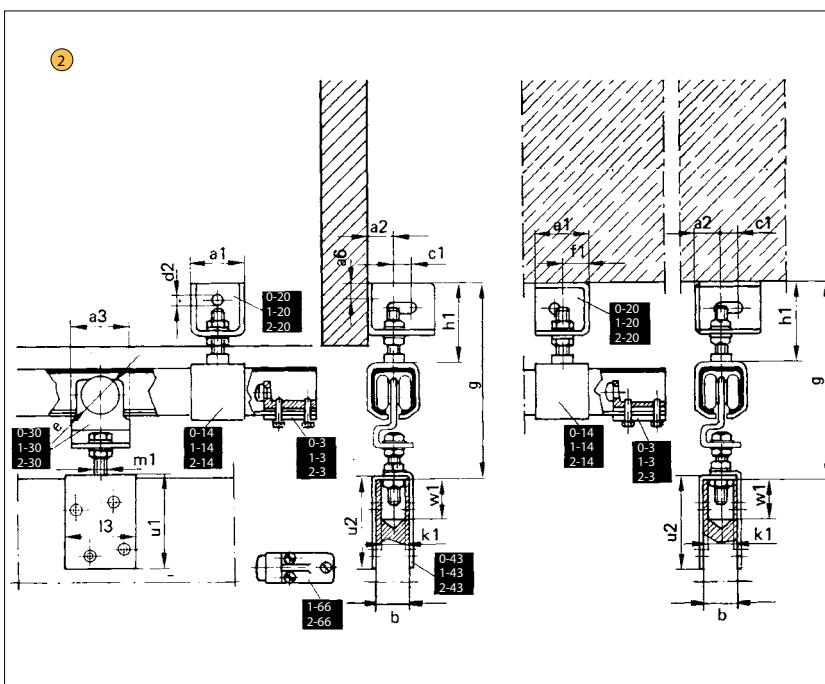


Fig. 07-2

②	Size 0	Size 1
a1	● 45	52,5
a1	● 45	26,5
a2	20,5	135
a3	50	91
a6	15	13
b	22-37	30-46
c1	max. 14	42
d2	11	116-139
e	32	53
f1	22,5	18
g	● 152-190	38
g	● 152-190	55,5
h1	● 62-78	∅ 24
h1	● 62-78	65
k1	∅ 22	65
l3	60	114
m1	M 10	M 12
u1	80	30
		6
u2	80	180
		20
w1	35	45

GEZE APOLL ROLLER-GUIDED GEARS FOR SLIDING DOORS

GEZE Apoll for sliding doors – Mounting options

Side and soffit-fixing for double console

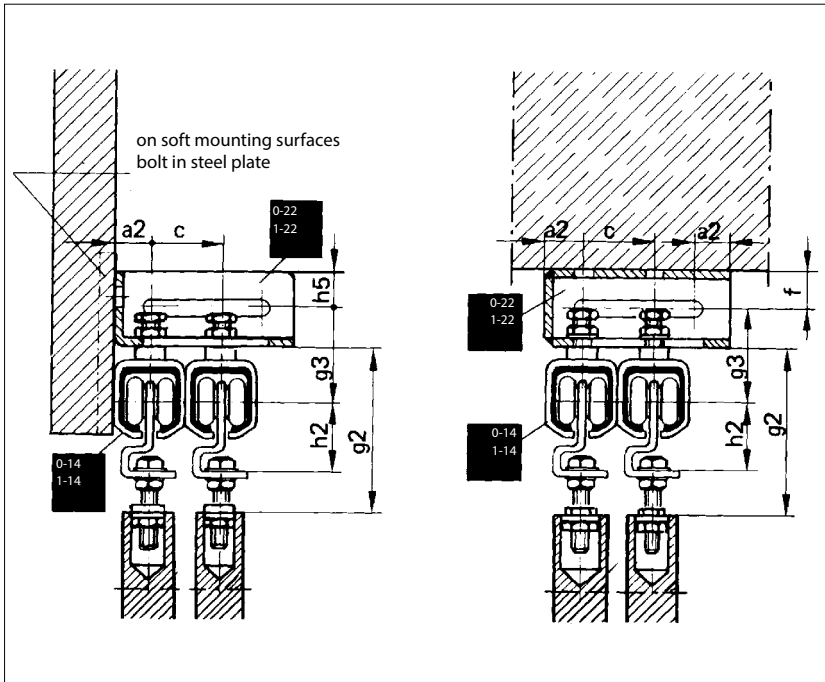


Fig. 08-1

	Size 0	Size 1
a2	20,5	26,5
c	max. 69	max. 85
f	22,5	32
g2	92-115	120-143,5
g3 ●	55	67,5
g3 ●	54,5	74,5
h2	41,5	53
h5	22,5	24

● = side-fixing
● = soffit-fixing

Join bracket

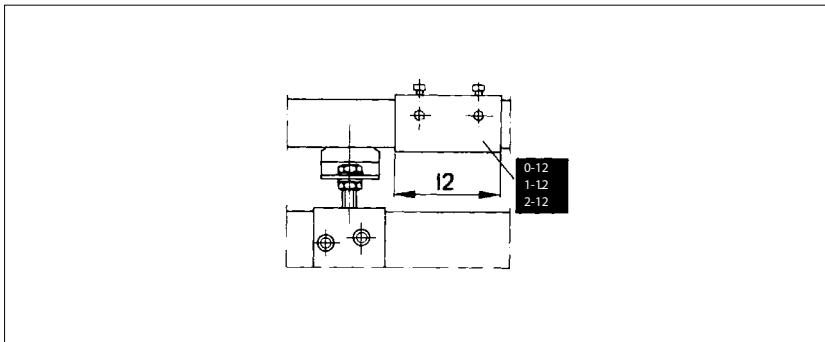


Fig. 08-2

	Size 0	Size 1	Size 2
l2	90	130	180

Welding bracket

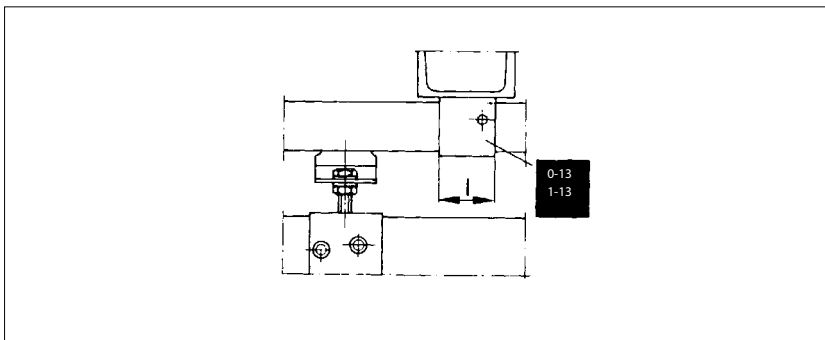


Fig. 08-3

	Size 0	Size 1
l	45	65

GEZE APOLL ROLLER-GUIDED GEARS FOR SLIDING DOORS

GEZE Apoll for sliding doors – Mounting options

Side and soffit fixing with bracket, door with edge-fixing hanger

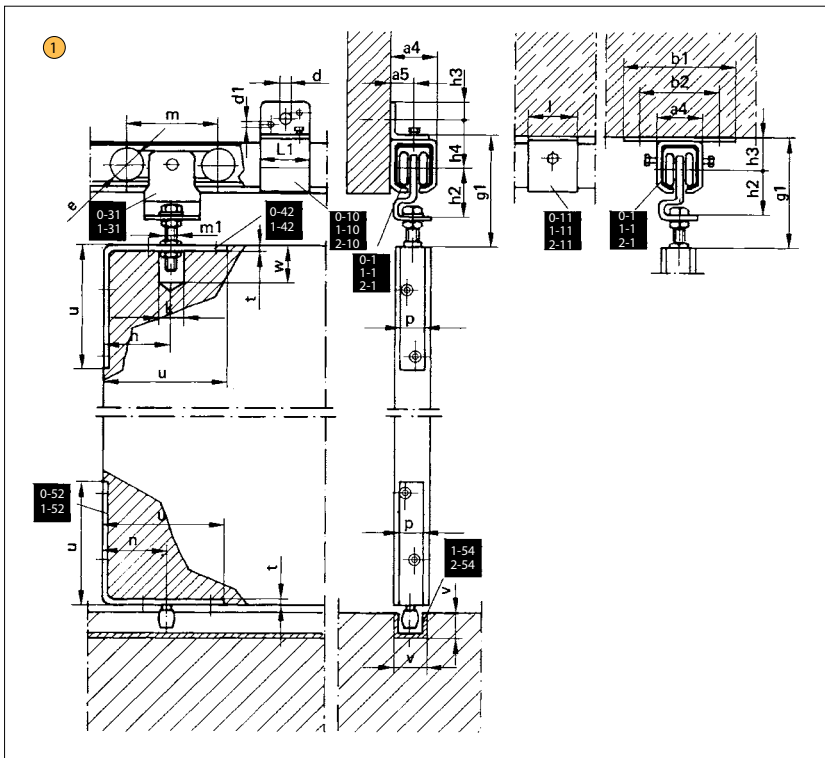


Fig. 09-1

①	Size 0	Size 1	Size 2
a4	41	52,5	70
a5	20,5	26,5	35
b1	100	135	170
b2	70	91	114
d	9	13	15
d1	6,4	9	11
e	32	42	56
g1	89-112	116-139	149-177
h2	41,5	53	71
h3	● 15	18	24,5
h3	● 29	38	48,5
h4	43	55,5	72,5
k	∅ 22	∅ 24	∅ 30
l	45	65	85
l1	45	65	95
m	80	114	140
m1	M 10	M 12	M 16
n	60	90	○
p	22	30	○
t	5	6	○
u	110	180	○
v	20	20	30
w	35	45	○

● = yes, ○ = no

● = side-fixing

● = soffit-fixing

Side and soffit-fixing with console, door with edge-fixing hanger

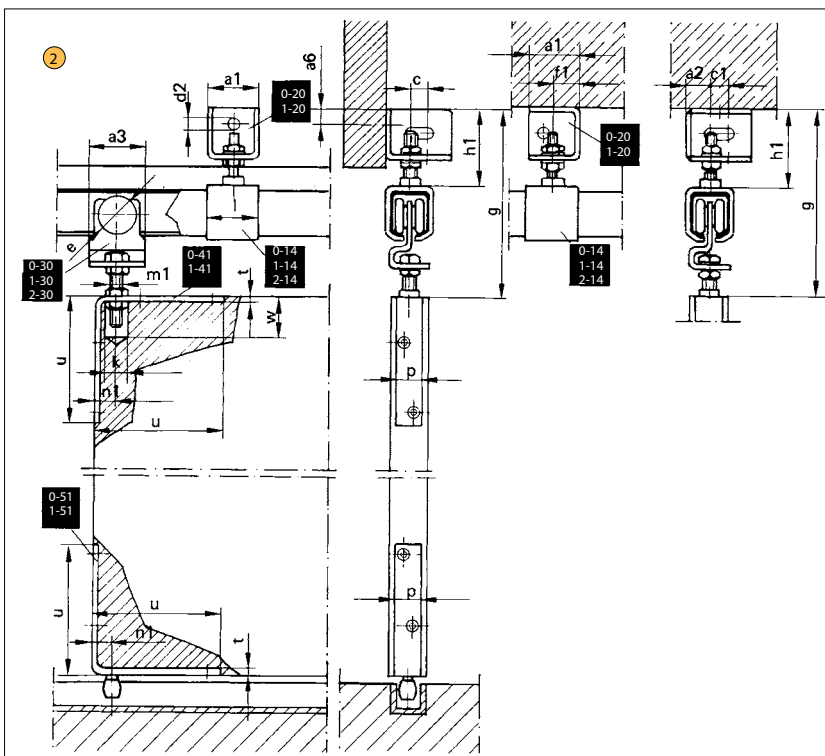


Fig. 09-2

②	Size 0	Size 1	Size 2
a1	● 45	64	90
a1	● 45	49	80
a2	20,5	26,5	35
a3	50	65	85
a6	15	24	40
c	14	20	30
c1	14	20	30
d2	11	13	17
e	32	42	56
f1	22,5	25	40
g	● 146-186	180-231	248-306
g	● 146-186	195-246	258-316
h1	● 62-78	69-97	105-135
h1	● 62-78	84-112	115-145
k1	∅ 22	∅ 24	∅ 30
l	45	65	85
m1	M 10	M 12	M 16
n1	18	20	30
p	22	30	40
t	5	6	8
u	110	180	220
w	35	45	53

GEZE APOLL ROLLER-GUIDED GEARS FOR SLIDING DOORS

GEZE Apoll for sliding doors – Tracks

Track

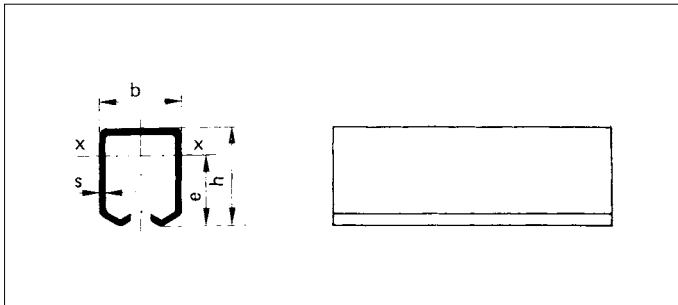


Fig. 10-1

	Size 0	Size 1	Size 2
Des.	0-1	1-1	2-1
b	33	43	57
h	39	51	67
s	2	2,5	3,5
W, cm ³	2,30	4,63	10,62
e cm	2,16	2,85	3,73
kg/m	1,9	2,02	5,72

Load capacity per m with 700 mm bracket spacing:

	150 kg	350 kg	600 kg
ID No. (6m)	025769	018015	018014

Track curve

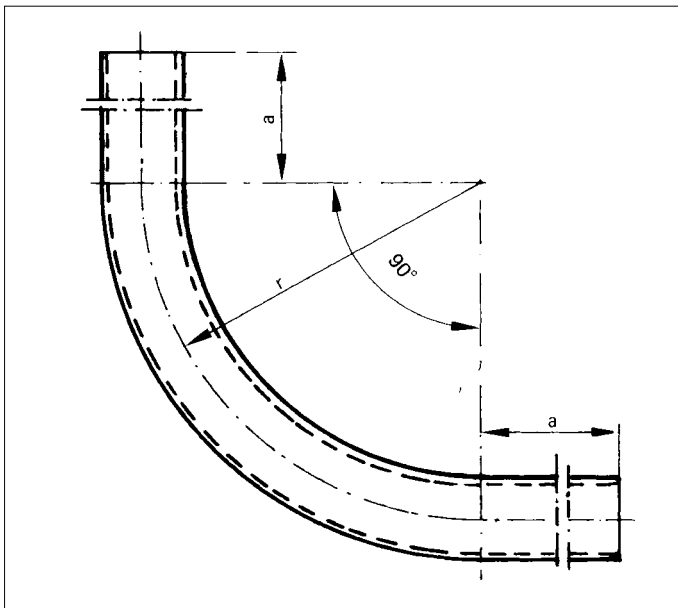


Fig. 10-2

	Size 0	Size 1	Size 2
Des.	0-2	1-2	2-2
a	200	200	300
r	700	800	1000
s	2	2,5	3,5
kg (weight)	2,85	4,53	12,4
straight length	1500	1660	2170
ID No.	054769	054771	054773

GEZE APOLL ROLLER-GUIDED GEARS FOR SLIDING DOORS

GEZE Apoll for sliding doors – Brackets

Side-fixing bracket

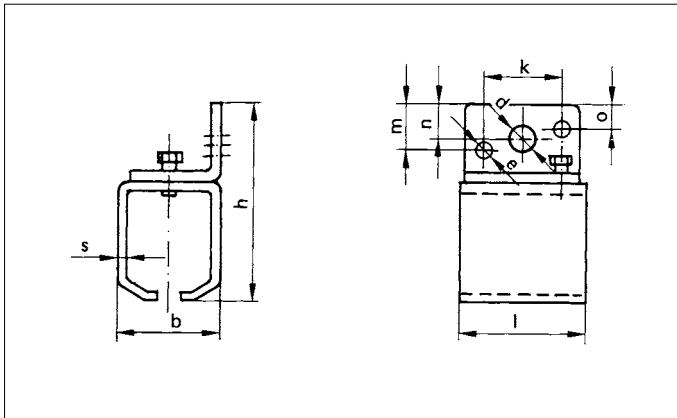


Fig. 11-1

	Size 0	Size 1	Size 2
Des.	0-10	1-10	2-10
b	41	52,5	70
h	80	100,5	135
l	45	65	95
s	2	2,5	3,5
n	15	18	24,5
m	20	23	29,5
o	10	13	19,5
k	25	40	60
d	9	13	15
e	6,4	9	11
kg (weight)	0,3	0,6	1,4
ID No.	020701	012686	011554

Soffit-fixing bracket

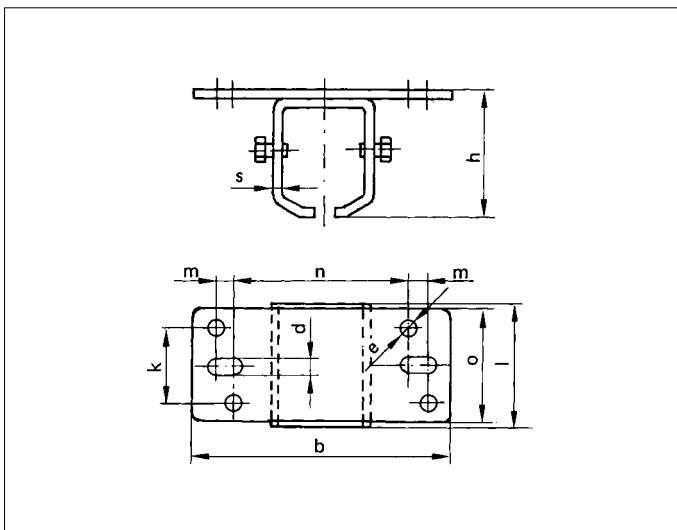


Fig. 11-2

	Size 0	Size 1	Size 2
Des.	0-11	1-11	2-11
b	100	135	170
h	50,5	66	86,5
l	45	65	85
o	45	60	90
s	3,5	4	6
n	70	91	114
m	○	10	10
k	25	40	60
d	∅ 9	13	15
e	6,4	9	11
kg (weight)	0,3	0,6	1,4
ID No.	023296	012691	012119

● = yes, ○ = no

Joint bracket

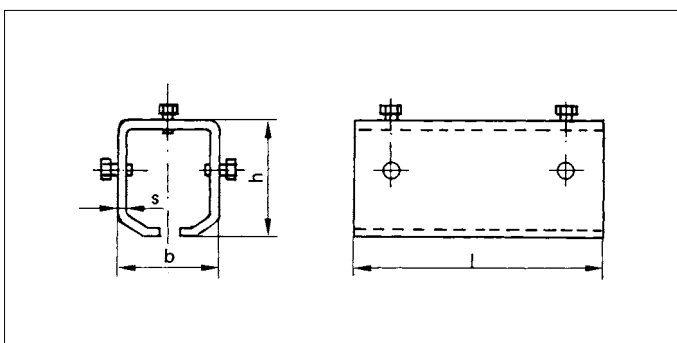


Fig. 11-3

	Size 0	Size 1	Size 2
Des.	0-12	1-12	2-12
b	41	53,5	70
h	47	60,5	80,5
l	90	130	180
s	3,5	4	6
kg (weight)	0,4	0,9	2,1
ID No.	024004	012694	012306

GEZE APOLL ROLLER-GUIDED GEARS FOR SLIDING DOORS

GEZE Apoll for sliding – Brackets

Welding bracket

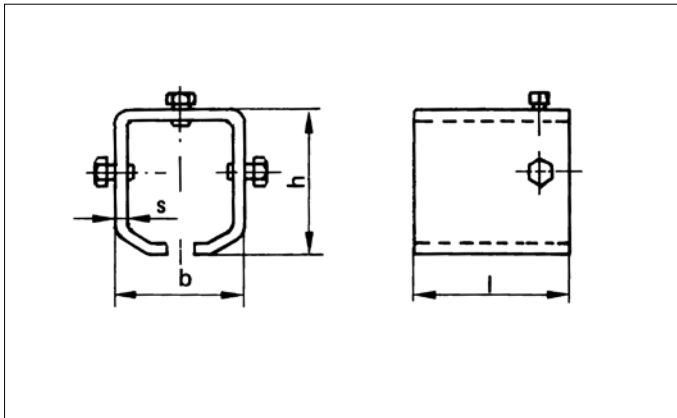


Fig. 12-1

	Size 0	Size 1
Des.	0-13	1-13
b	41	52,5
h	47	60,5
l	45	65
s	3,5	4
kg (weight)	0,2	0,5
ID No.	024093	021697

Bracket for vertical/lateral adjustment

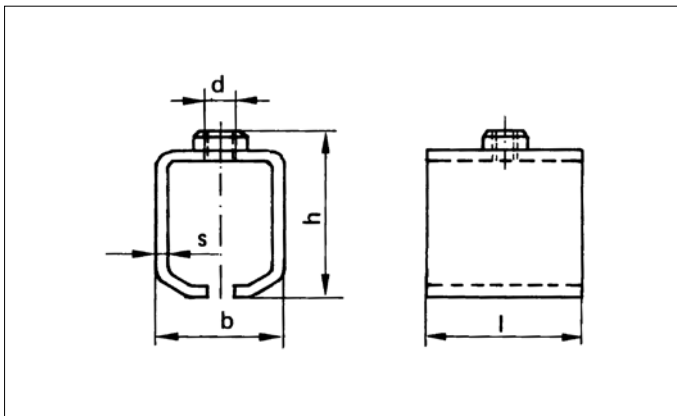


Fig. 12-2

	Size 0	Size 1	Size 2
Des.	0-13	1-13	2-13
b	41	52,5	70
h	50,5	64,5	86
l	45	65	85
s	3,5	4	6
d	M 10	M 12	M 16
kg (weight)	0,2	0,5	1
ID No.	024126	013097	007197

GEZE APOLL ROLLER-GUIDED GEARS FOR SLIDING DOORS

GEZE Apoll for sliding doors – Consoles for vertical and lateral adjustment

with bracket for vertical and lateral adjustment: 0-14, 1-14, 2-14

Single consoles for lateral and vertical adjustment

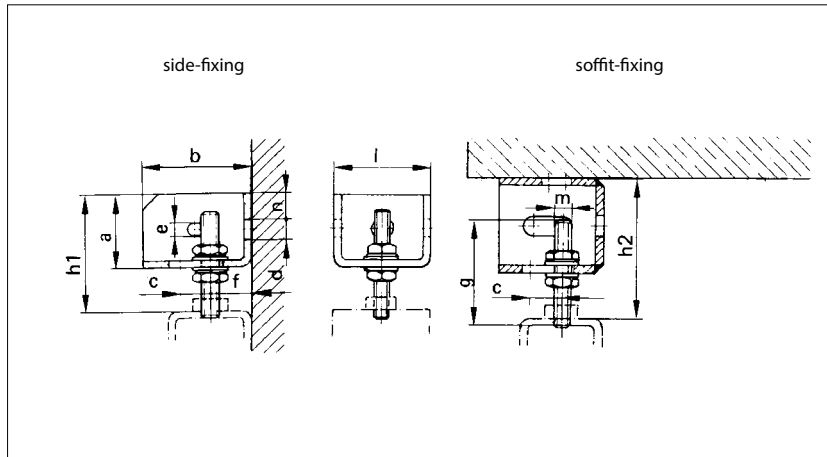


Fig. 13-1

	Size 0	Size 1
Des.	0-20	1-20
h1	62-78	69-97
h2	62-78	84-112
h3	48,5	54,5
h4	48,5	68,5
a	45	50
b	55	70
l	45	64
n	11	24
d	11	13
e	11	9
g	50	70
m	M 10	M 12
f	20,5	26,5
Adjustment range		
c	14	20
kg (weight)	0,3	0,5
ID No.	024325	013772

Double console for lateral and vertical adjustment

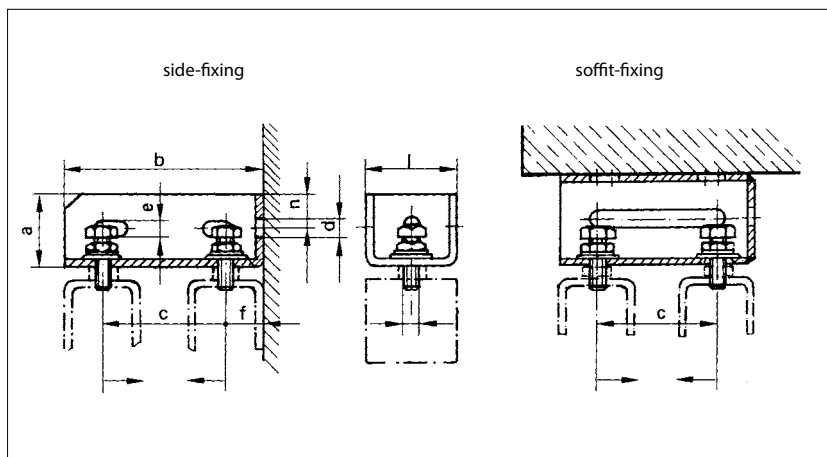


Fig. 13-2

	Size 0	Size 1
Des.	0-21	1-21
h1	62-78	69-97
h2	62-78	84-112
a	45	50
b	110	138
l	45	64
n	15	24
d	11	13
e	11	9
g	50	70
m	M 10	M 12
f	20,5	26,5
Adjustment range		
c	69	85
kg (weight)	0,4	0,8
ID No.	024402	013997

GEZE APOLL ROLLER-GUIDED GEARS FOR SLIDING DOORS

GEZE Apoll for sliding doors – Rollers

Single roller, steel or plastic

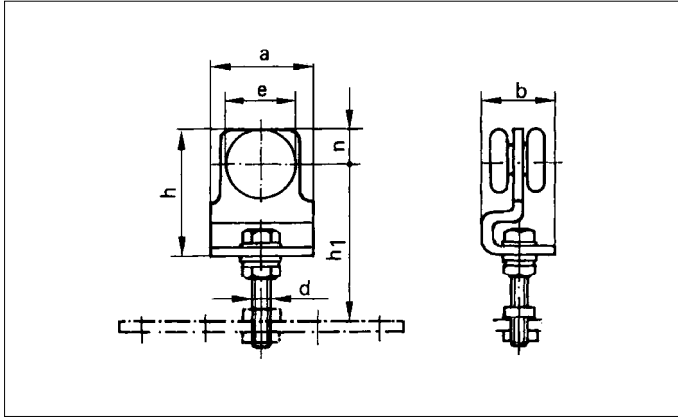


Fig. 14-1

	Size 0	Size 1	Size 2
Des.	0-30	1-30	2-30
Des. ●	0-36	0-36	○
a	50	65	85
b	35	48	68
h	58	80	104
n	13	21	25
e	32	42	56
d	M 10	M 12	M 16
h1	60-83	78-101	101-129
kg (weight)	0,2	0,6	1,4
Load	max. 50 kg	max. 100 kg	max. 200 kg
Load ●	max. 25 kg	max. 50 kg	○
ID No.	016268	012468	008426
ID No. ●	054045	054050	○

● = plastic

● = yes, ○ = no

Double roller, steel or plastic

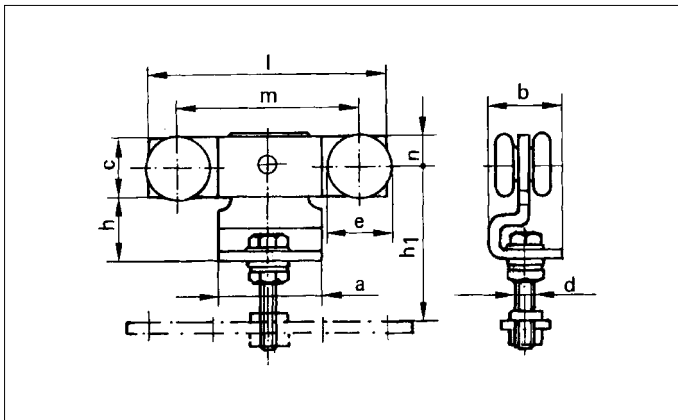


Fig. 14-2

	Size 0	Size 1	Size 2
Des.	0-31	1-31	2-31
Des. ●	0-37	0-37	○
a	50	65	85
b	35	48	68
l	100	150	190
m	80	114	140
h	32	42	56
c	26	37	48
e	32	42	56
d	M 10	M 12	M 16
n	13	20	25
h1	60-83	78-101	101-129
kg (weight)	0,5	1,2	2,7
Load	max. 100 kg	max. 200 kg	max. 300 kg
Load ●	max. 50 kg	max. 100 kg	○
ID No.	017274	012651	009484
ID No. ●	054046	054051	○

● = plastic

● = yes, ○ = no

GEZE APOLL ROLLER-GUIDED GEARS FOR SLIDING DOORS

GEZE Apoll for sliding doors – Rollers with pivot bearing

Single roller with pivot bearing

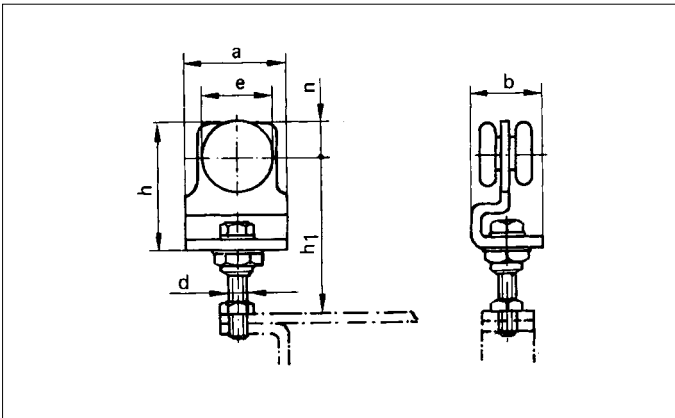


Fig. 15-1

	Size 0	Size 1	Size 2
Des.	0-32	1-32	2-32
a	50	65	85
b	35	48	68
h	58	80	104
n	13	21	25
e	32	42	56
d	M 10	M 12	M 16
h1	60-83	83-101	106-129
kg (weight)	0,27	0,68	1,5
Load	max. 50 kg	max. 100 kg	max. 200 kg
ID No.	050996	051021	049961

Double roller with pivot bearing

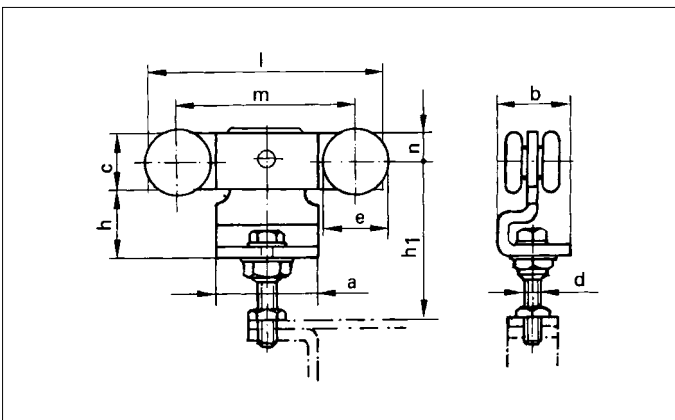


Fig. 15-2

	Size 0	Size 1	Size 2
Des.	0-33	1-33	2-33
a	50	65	85
b	35	48	68
l	100	150	190
m	80	114	140
h	32	42	56
c	26	37	48
e	32	42	56
d	M 10	M 12	M 16
n	13	20	25
h1	60-83	83-101	126-129
kg (weight)	0,57	1,28	2,8
Load	max. 100 kg	max. 200 kg	max. 300 kg
ID No.	050997	049950	049962

GEZE APOLL ROLLER-GUIDED GEARS FOR SLIDING DOORS

GEZE Apoll for sliding doors – Door plates and edge-fixing hangers

Door plate

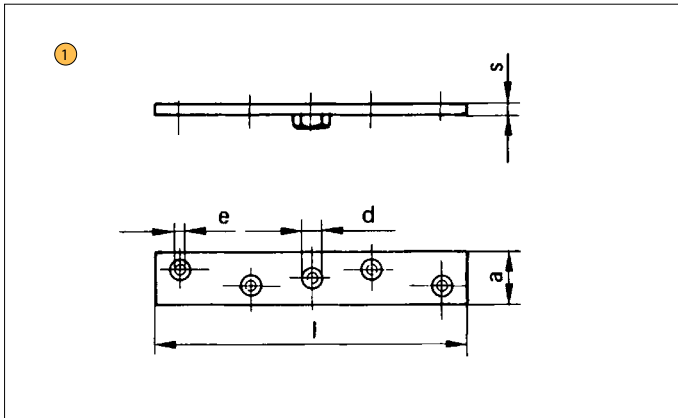


Fig. 16-1

①	Size 0	Size 1	Size 2
Des.	0-40	1-40	2-40
l	110	180	220
a	22	30	40
s	5	6	8
d	M 10	M 12	M 16
e	6,4	8,4	8,4
No. of fixing-holes	4	4	6
kg (weight)	0,1	0,2	0,5
ID No.	018431	012658	010890

Double-sided hanger

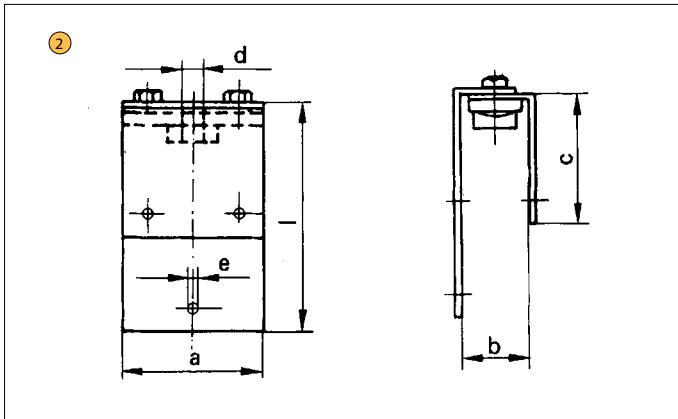


Fig. 16-2

②	Size 0	Size 1	Size 2
Des.	0-43	1-43/1	1-43/2
a	60	80	80
b	22-37	30-46	44-60
l	80	128	115
c	80	73	60
d	M 10	M 12	M 12
e	6,5	8,5	8,5
kg (weight)	0,2	0,6	0,6
ID No.	019138	012947	012946

Edge-fixing hanger

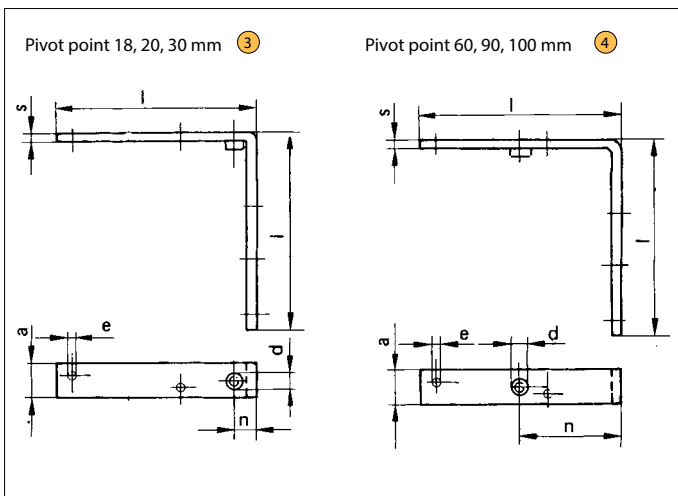


Fig. 16-2

③	Size 0	Size 1	Size 2
Des.	0-41	1-41	
l	110	180	
a	22	30	
s	5	6	
n	18	20	
d	M 10	M 12	
e	6,4	8,4	
No. of fixing-holes	4	6	
kg (weight)	0,2	0,5	
ID No.	018801	012661	

④	Size 0	Size 1	Size 2
Des.	0-42	1-42	
l	110	180	
a	22	30	
s	5	6	
n	60	90	
d	M 10	M 12	
e	6,4	8,4	
No. of fixing-holes	4	6	
kg (weight)	0,2	0,5	
ID No.	019019	012663	

GEZE APOLL ROLLER-GUIDED GEARS FOR SLIDING DOORS

GEZE Apoll for sliding doors – Floor guide rollers and floor channel

Flat-plate guide rollers

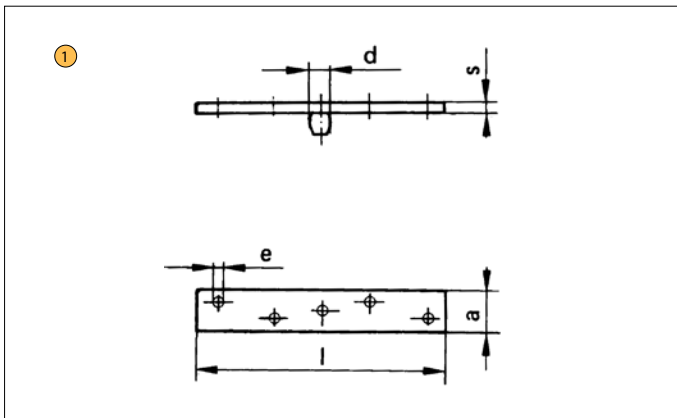


Fig. 17-1

①	Size 0	Size 1	Size 2
Des.	0-50	1-50	2-50
l	110	180	220
a	22	30	40
s	5	6	8
d	∅ 15,5	∅ 15,5	∅ 22
e	6,4	8,4	8,4
No. of fixing-holes	4	4	6
kg (weight)	0,11	0,3	0,5
ID No.	019884	012665	011139

Floor channel

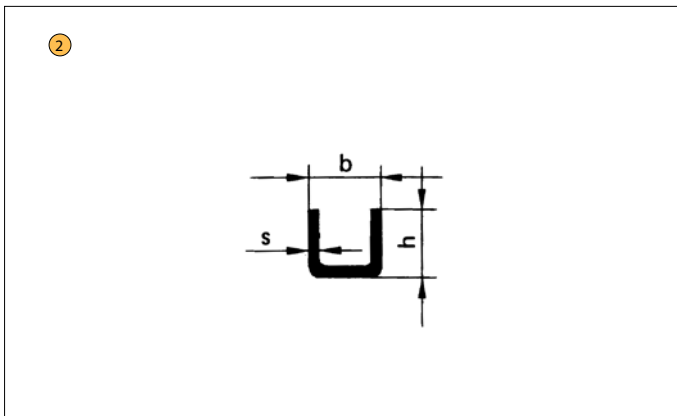


Fig. 17-2

②	Size 1	Size 2
Des.	0-54	2-54
b	20	30
h	20	30
s	1,5	2,5
kg/m (weight)	0,5	1,95
ID No.	051649	051654

Floor guide roller

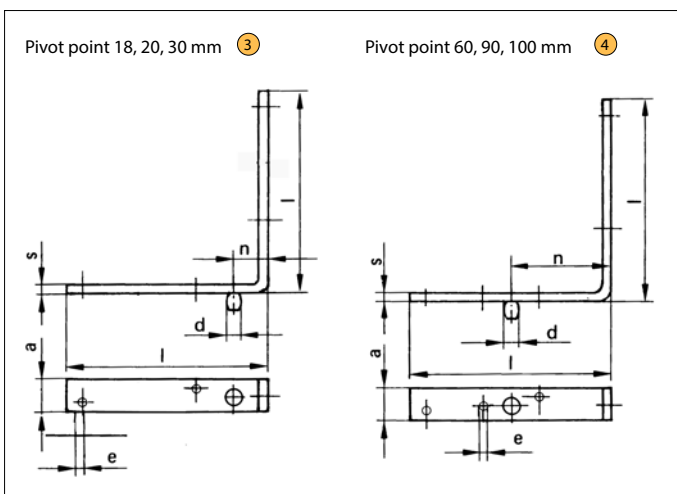


Fig. 17-2

③	Size 0	Size 1
Des.	0-51	1-41
l	110	180
a	22	30
s	5	6
n	18	20
d	∅ 15,5	∅ 15,5
e	6,4	8,4
No. of fixing-holes	4	6
kg (weight)	0,2	0,5
ID No.	020404	012670

④	Size 0	Size 1
Des.	0-52	1-52
l	110	180
a	22	30
s	5	6
n	60	90
d	∅ 15,5	∅ 15,5
e	6,4	8,4
No. of fixing-holes	4	6
kg (weight)	0,2	0,5
ID No.	020522	021672

GEZE APOLL ROLLER-GUIDED GEARS FOR SLIDING DOORS

GEZE Apoll for sliding doors – Curved floor channel and accessories

Curved floor channel

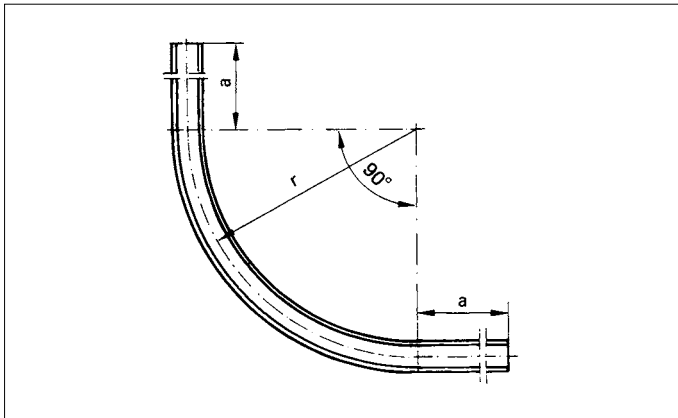


Fig. 18-1

	Size 0	Size 1	Size 2
Des.	0-55	1-55	2-55
a	200	200	300
r	700	800	1000
kg (weight)	0,90	0,99	4,2
straight length	1500	1660	2170
ID No.	054770	054772	054774

Door stop

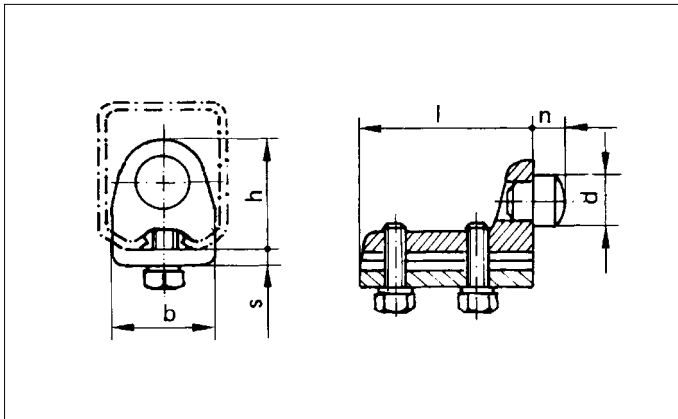


Fig. 18-2

	Size 0	Size 1	Size 2
Des.	0-3	1-3	2-3
b	30	35	50
l	46	61	88
h	28,5	39	51
s	5	6	8
n	6	9,5	12
d	ø 14	ø 18	ø 30
kg (weight)	0,1	0,3	0,8
ID No.	024689	014440	007371

Wall-fixed door stop

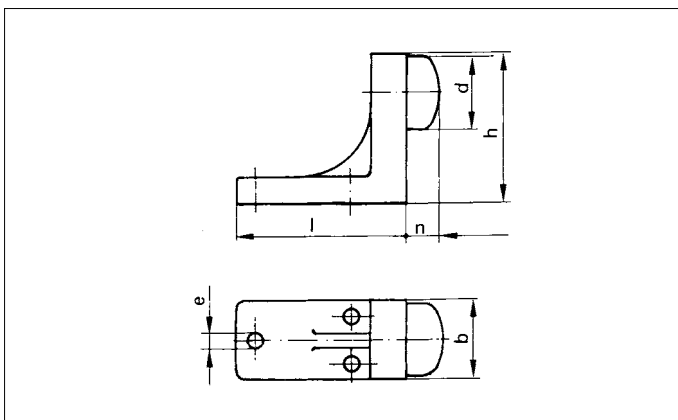


Fig. 18-3

	Size 1	Size 2
Des.	1-66	2-66
l	58	87
b	26	36
h	47	62
d	ø 24	ø 30
n	10,5	12
e	5	6
kg (weight)	0,15	0,36
ID No.	000339	000342

GEZE APOLL ROLLER-GUIDED GEARS FOR SLIDING DOORS

ORDERING INFORMATION – GEZE APOLL FOR SLIDING DOORS

Description	Fitting No.	ID No. Size 0	ID No. Size 1	ID No. Size 2
Track, galvanized steel	bearing length 6 m	-1	025769	018015 018014
	cut to size	-1	051506	051473 051472
Track curve, galvanized steel Curve 90°	radius 700 mm	0-2	054769	○ ○
	radius 800 mm	1-2	○	054771 ○
	radius 1000 mm	2-2	○	○ 054773
Door stop		-3	024689	014440 007371
Brackets and consoles				
Side-fixing bracket		-10	020701	012686 011554
Soffit-fixing bracket		-11	023286	012691 012119
Joint bracket		-12	024004	012694 012306
Welding bracket		-13	024093	012697 ○
Bracket for vertical and lateral adjustment		-14	024126	013097 007197
Single console for vertical and lateral adjustment		-20	024325	013772 ○
Double console for vertical and lateral adjustment		-21	024402	013997 ○
Rollers		-21		
Single roller, steel		-30	016268	012468 008426
Single roller, plastic		-36	054045	054050 ○
Double roller, steel		-31	017274	012651 009484
Double roller, plastic		-37	054046	054051 ○
Single roller with pivot bearing ^{*)}		-32	050996	051021 049961
Single roller with pivot bearing ^{*)}		-33	050997	049950 049962
Pivot bearing		-34	050998	049951 049963
Door plates and edge-fixing hangers				
Door plate		-40	018431	012658 010890
Edge-fixing hanger	pivot point 18 mm	0-41	018801	○ ○
	pivot point 60 mm	0-42	019019	○ ○
	pivot point 20 mm	1-41	○	012661 ○
	pivot point 90 mm	1-42	○	012663 ○
Double-sided hanger	for door thickness 22-37 mm	0-43	019138	○ ○
	for door thickness 30-46 mm	1-43/1	○	012947 ○
	for door thickness 44-60 mm	1-43/2	○	012946 ○
Guide rollers				
Flat-plate guide roller		-50	019884	012665 011139
Edge-fixing guide roller	pivot point 18 mm	0-51	020404	○ ○
	pivot point 60 mm	0-52	020522	○ ○
	pivot point 20 mm	1-51	○	012670 ○
	pivot point 90 mm	1-52	○	012672 ○
Floor channel, galvanized	bearing length 6 m	-54	051649	051649 051654
	cut to size	-54	051650	051650 051655
Curved floor channel Curve 90°	radius 700 mm, blank	0-55	054770	○ ○
	radius 800 mm, blank	1-55	○	054772 ○
	radius 1000 mm	2-55	○	○ 054774
Accessories				
Wall-fixed door stop		-66	000339	000339 000342

● = yes, ○ = no

^{*)} For sliding doors with curved track the rollers with pivot bearings should be used.

GEZE Apoll for end-folding doors – Size 0,1,2

The leaves fold out only in one direction. Because of the eccentric load when the door is folded, a bottom guide roller is essential.

There are three common fitting options:

- Butt surface-mounted
- Butt flush-mounted
- Rebate-mounted.

The roller forms the pivot point on the front face of every second leaf.

A full-height swing leaf is only possible with an odd number of leaves.

The most usual form of track mounting is by side- or soffit-fixing brackets.

Flush bolts should be fitted to the fold-out side.

The floor guide rollers should be fitted plump underneath the pivot point of the rollers.

The best leaf widths are between 600 mm and 900 mm.

Use 3 hinges per leaf; for high leaves (≥ 280 cm) 4. Hinges with ball bearings are recommended.

Starting with the end leaf hinged to the jamb, every second leaf is fitted with a roller with pivot bearing and edge-fitting hanger.

When choosing the track size and the roller, it should be noted that each roller has to take approximately the weight of two leaves.

The use of double rollers is recommended.

In the fold area the brackets for track mounting should be spaced at 350 mm (increased load-bearing).

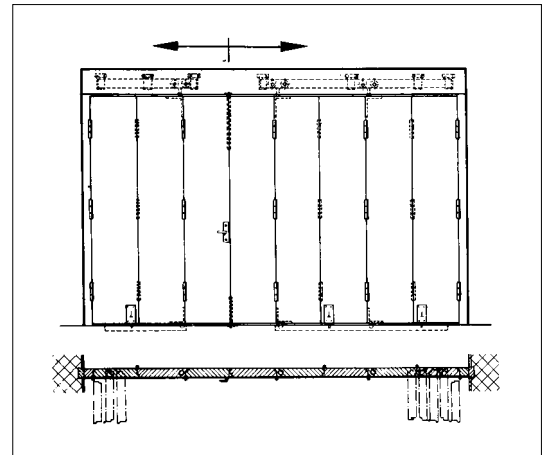


Fig. 20-1

GEZE APOLL ROLLER-GUIDED GEARS FOR SLIDING DOORS

GEZE Apoll for end-folding doors – Size 0,1,2

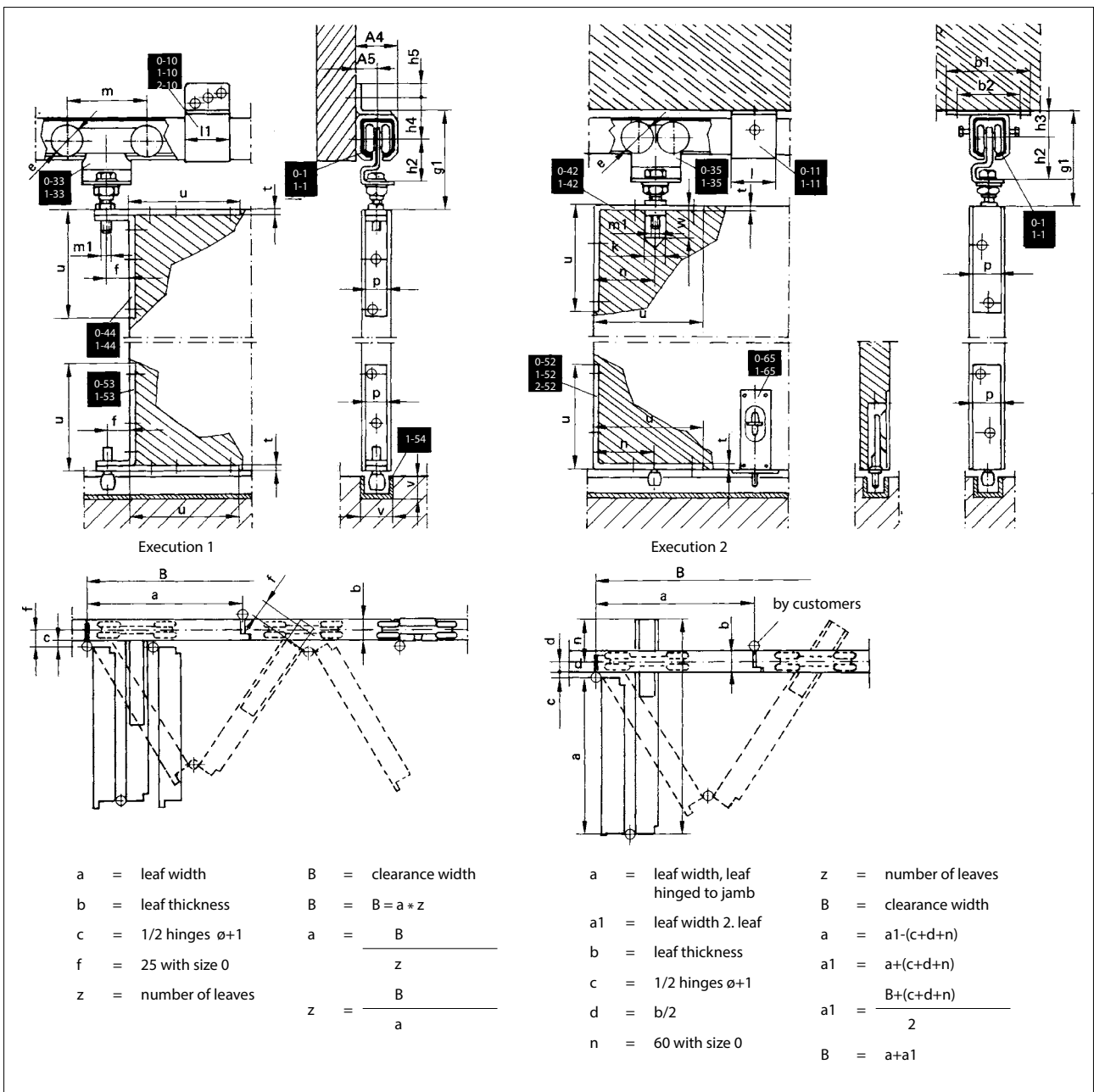


Fig. 21-1

	Size 0	Size 1	Size 2
A4	41	52,5	70
A5	20,5	26,5	35
b1	100	135	170
b2	70	91	114
e	32	42	56
f	25	32	39,5
g1	98-111,5	122,5-141,5	157-180,5
h2	41,5	53	71
h3	29	38	48,5
h4	43,5	55,5	72,5
h5	15	18	24,5

	Size 0	Size 1	Size 2
k	ϕ 22	ϕ 24	ϕ 30
l	45	65	85
l1	45	65	95
m	80	114	140
m1	M 10	M 12	M 16
n	60	90	100
p	22	30	40
t	5	6	8
u	110	180	220
v	20	20	30
w	35	45	53

GEZE APOLL ROLLER-GUIDED GEARS FOR SLIDING DOORS

GEZE Apoll for end-folding doors – Size 0,1,2

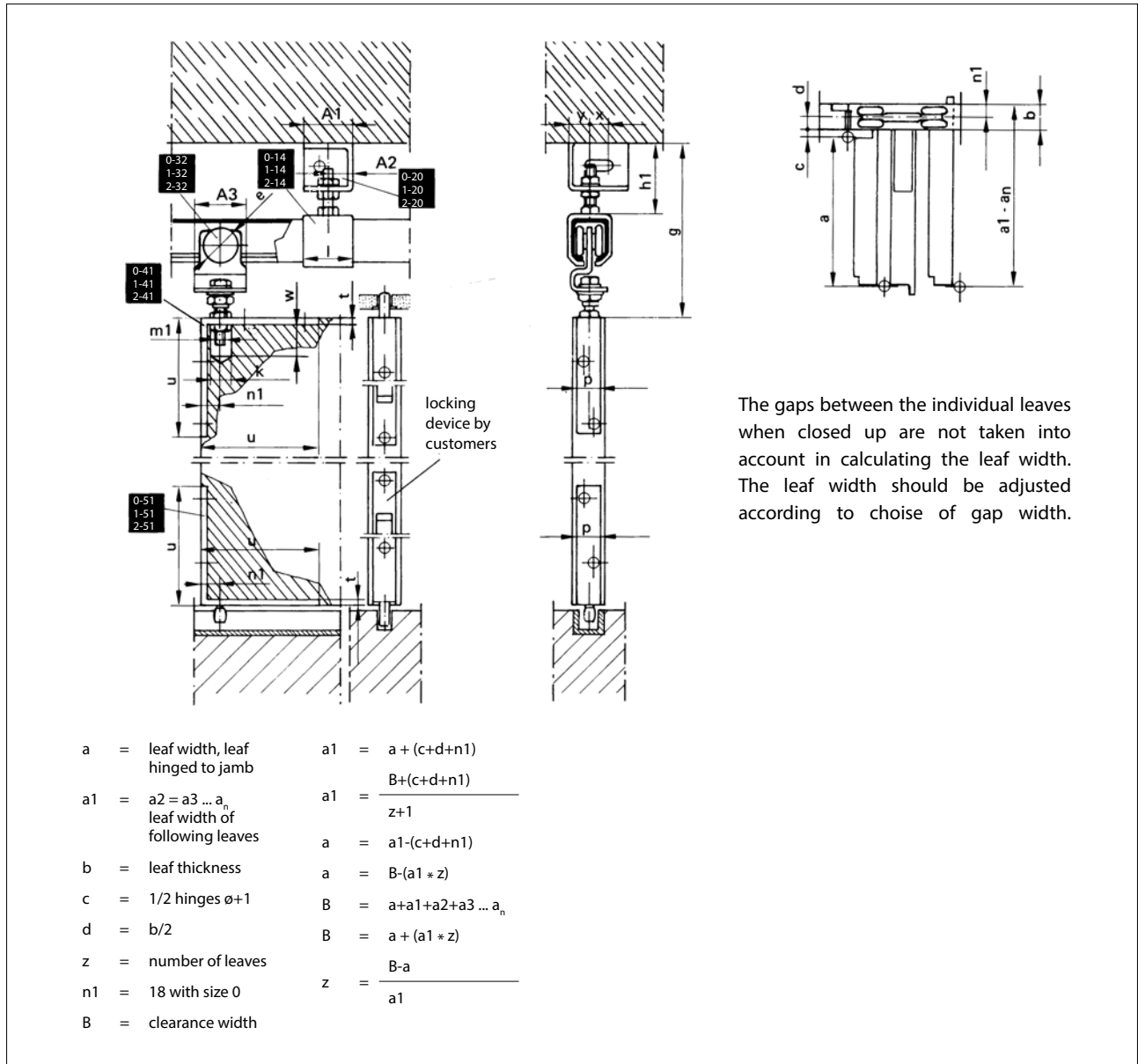


Fig. 22-1

	Size 0	Size 1	Size 2
A1	45	49	80
A2	22,5	25	40
A3	50	65	85
e	32	42	56
g	156-186,5	202-251	265-319,5
h1	61,5-78,5	84-112	114-145

	Size 0	Size 1	Size 2
k	ø 22	ø 24	ø 30
l	45	65	85
lm1	M 10	M 12	M 16
n1	18	20	30
p	22	30	40
t	5	6	8
u	110	180	220
w	35	45	53
x	14	20	30
y	20,5	26,5	35

GEZE APOLL ROLLER-GUIDED GEARS FOR SLIDING DOORS

GEZE Apoll for end-folding doors – Mounting options

Mounting option for end-folding doors: Butt surface-mounted

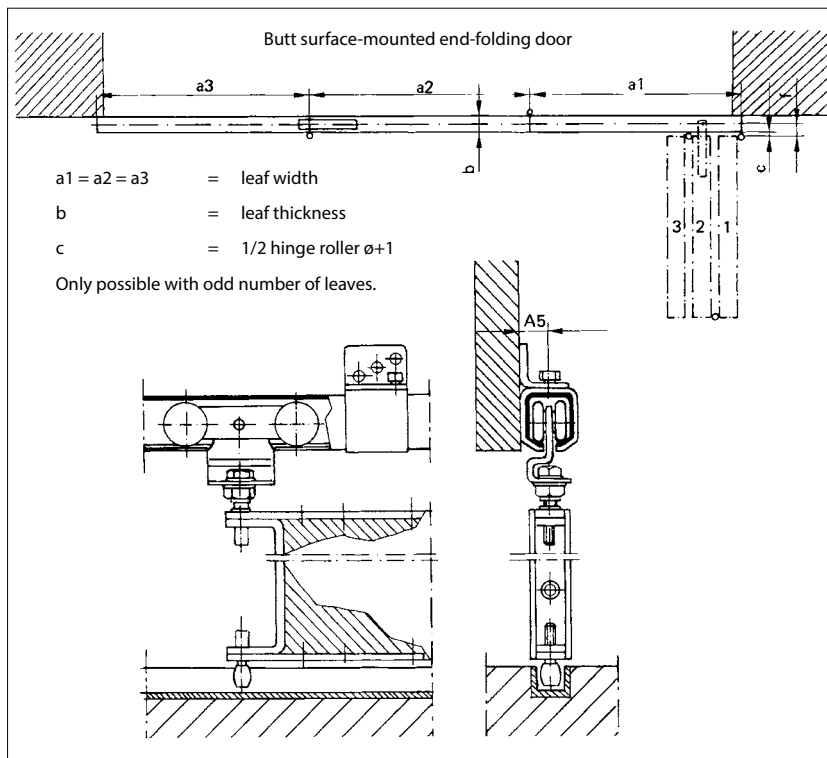


Fig. 23-1

Mounting option for end-folding doors: Butt flush-mounted

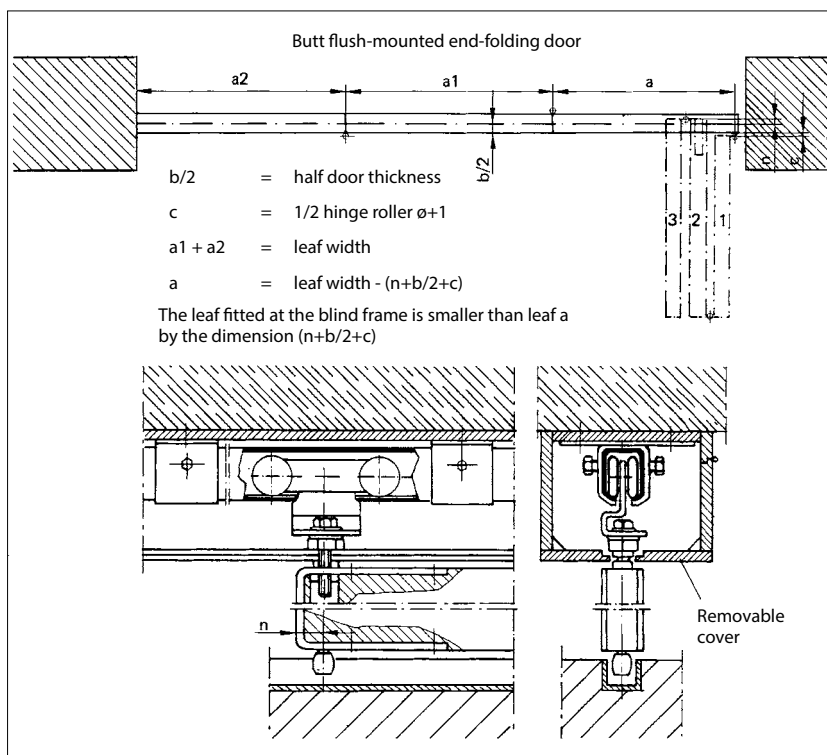


Fig. 23-2

Mounting options and examples for end-folding doors

For end-folding doors there are three different methods of fitting:

Butt surface-mounted

Butt surface-mounted, wall mounting with side-fixed bracket -10, track -1, double roller with pivot bearing -33, edge-fixing hanger for end-folding doors -44, edge-fixing guide roller for end-folding doors -53 and flush bolt -65, floor channel -54.

	Size 0	Size 1	Size 2
Edge-fixing hanger			
	0-44	1-44	2-44
Edge-fixing guide roller			
	0-53	1-53	2-53
Dim.	25	32	39,5
f			
Dim.	20,5	26,5	35

Butt flush-mounted

Butt flush-mounted, soffit mounting with soffit-fixing bracket -11, track -1, double roller with pivot bearing -33, edge-fixing hanger -41, floor guide roller -51 and flush bolt -65, floor channel -54.

	Size 0	Size 1	Size 2
Edge-fixing hanger			
	0-41	1-41	2-41
Floor guide			
	0-51	1-51	2-51
Dim. n	18	20	30

GEZE APOLL ROLLER-GUIDED GEARS FOR SLIDING DOORS

GEZE Apoll for end-folding doors – Mounting options

Mounting option for end-folding doors: Rebate-mounted

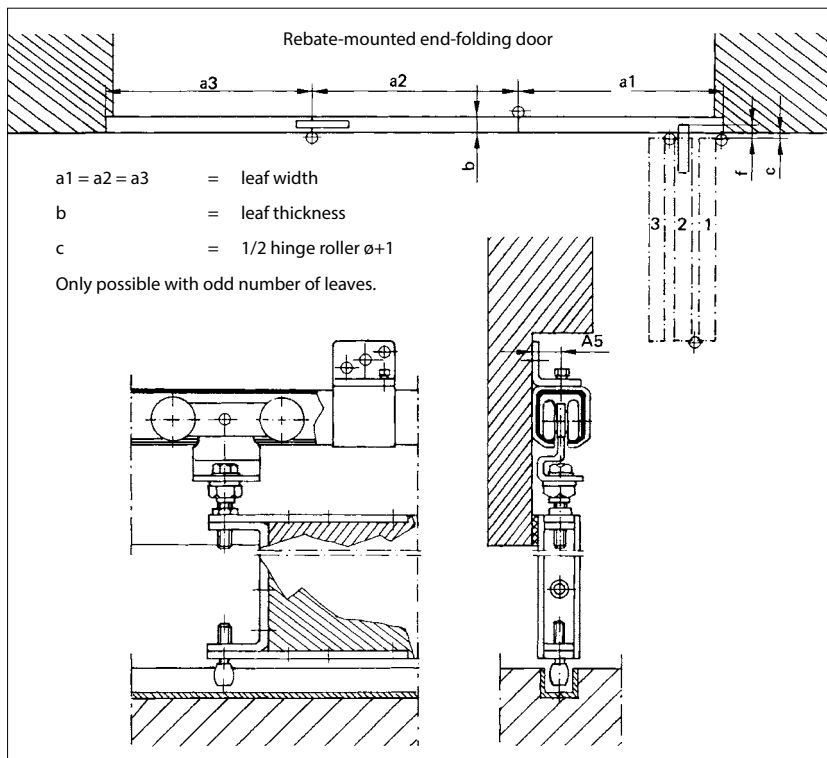


Fig. 24-1

Rebate-mounted

Rebate-mounted, wall mounting with side-fixing bracket -10, track -1, double roller with pivot bearing -33, edge-fixing hanger for end-folding doors -44, edge-fixing guide roller for end-folding doors -53 and flush bolt -65, floor channel -54.



	Size 0	Size 1	Size 2
Edge-fixing hanger	0-44	1-44	2-44
Edge-fixing guide roller	0-53	1-53	2-53
Dim. f	25	32	39,5
Dim.	20,5	26,5	35

STANDARD DRAWINGS FOR END-FOLDING DOORS

Drawing	ID No.	
Side- and soffit-fixing GEZE Apoll Size 0	10620/0-10	
Side-fixing with side-fixing bracket GEZE Apoll Size 1	10621/0-10	
Soffit-fixing with soffit-fixing bracket GEZE Apoll Size 1	10621/0-11	
Soffit-fixing with single console for vertical and lateral adjustment	GEZE Apoll Size 1	10621/0-12
	GEZE Apoll Size 2	10622/0-12

GEZE APOLL ROLLER-GUIDED GEARS FOR SLIDING DOORS

ORDERING INFORMATION – GEZE APOLL FOR END-FOLDING DOORS


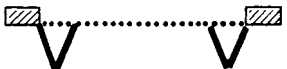
Summary of fittings	Fitting No.	ID No. Size 0	ID No. Size 1	ID No. Size 2		
 2-leaf end-folding door:						
1 track, length = twice leaf width + 100 mm, cut to size	-1	051506	051473	010890		
1 side-fixing bracket per 700 mm track length	-10	020701	012686	011554		
1 double roller with pivot bearing	-33	050997	049950	049962		
or 1 double roller with pivot bearing, reduced version	-35	054044	054052	○		
or 1 single roller with pivot bearing	-32	050996	051021	049961		
1 edge-fixing hanger		pivot point 118 mm	0-41	018801	○	○
		pivot point 160 mm	0-42	019019	○	○
		pivot point 120 mm	1-41	○	012661	○
		pivot point 190 mm	1-42	○	012663	○
or						
1 edge-fixing hanger for end-folding doors	-44	050994	051012	○		
1 edge-fixing guide roller		pivot point 118 mm	0-51	020404	○	○
		pivot point 160 mm	0-52	020522	○	○
		pivot point 120 mm	1-51	○	012670	○
		pivot point 190 mm	1-52	○	012672	○
or						
1 edge-fixing guide roller for end-folding doors	-53	050995	051015	○		
1 floor channel for end-folding doors, cut to size (length as track)	-54	051650	051650	051655		
1 flush bolt		82 x 35 mm	0-65	049974	○	○
		120 x 45 mm	1-65	○	149694	149694
3 to 4 hinges per leaf with ball bearing rings supplied by customer						
For soffit-fixing						
1 soffit-fixing bracket per 700 mm track length	-11	023286	012691	012119		
or						
1 height-adjustable soffit-fixing per 700 mm track length, consisting of single console	-20	024325	013772	○		
and bracket	-14	024126	013097	007197		
 3-leaf end-folding door:						
Fittings as for 2-leaf unit, track and floor channel in length for 2-leaf width, but hinges for 3 leaves						

● = yes, ○ = no

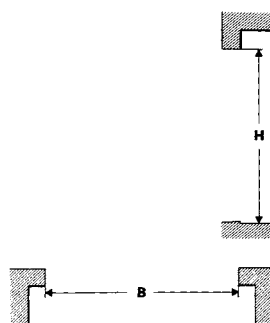
Summary of fittings **4-leaf end-folding door**, see next page

GEZE APOLL ROLLER-GUIDED GEARS FOR SLIDING DOORS

ORDERING INFORMATION – GEZE APOLL FOR END-FOLDING DOORS

Summary of fittings	Fitting No.	ID No. Size 0	ID No. Size 1	ID No. Size 2		
 <p>4-leaf end-folding door:</p>						
1 track, length = width of 4 leaves + 100 mm, cut to size	-1	051506	051473	051472		
1 side-fixing bracket per 700 mm track length (in fold area per 350 mm)	-10	020701	012686	011554		
2 double rollers with pivot bearing	-33	050997	049950	049962		
or 2 double rollers with pivot bearing, reduced version	-35	054044	054052	○		
or 2 single rollers with pivot bearing	-32	050996	051021	049961		
2 edge-fixing hangers		pivot point 118 mm	0-41	018801	○	○
		pivot point 160 mm	0-42	019019	○	○
		pivot point 120 mm	1-41	○	012661	○
		pivot point 190 mm	1-42	○	012663	○
or						
2 edge-fixing hangers for end-folding doors	-44	050994	051012	○		
2 edge-fixing guide rollers		pivot point 118 mm	0-51	020404	○	○
		pivot point 160 mm	0-52	020522	○	○
		pivot point 120 mm	1-51	○	012670	○
		pivot point 190 mm	1-52	○	012672	○
or						
2 edge-fixing guide rollers for end-folding doors	-53	050995	051015	○		
1 floor channel, cut to size (length as track)	-54	051650	051650	051655		
2 flush bolts		82 x 35 mm	0-65	049974	○	○
		120 x 45 mm	1-65	○	149694	149694
3 to 4 hinges per leaf with ball bearing rings supplied by customer						
For soffit fixing						
1 soffit-fixing bracket per 700 mm track length	-11	023286	012691	012119		
or						
1 height-adjustable soffit-fixing per 700 mm track length, consisting of single console and bracket	-20	024325	013772	○		
	-14	024126	013097	007197		
 <p>4-leaf end-folding door: (2 leaves each folding to left and right resp., track etc.)</p>						
as 2x2-leaf unit, but with						
2 edge-fixing hangers		pivot point 160 mm	0-42	019019	○	○
		pivot point 190 mm	1-42	○	012663	○
2 edge-fixing guide rollers		pivot point 160 mm	0-52	020522	○	○
		pivot point 190 mm	1-52	○	012672	○
		pivot point 90 mm	1-52	○	012672	○

● = yes, ○ = no



Ordering information

GEZE Apoll end-folding door gear size ...
 number of leaves ...
 folding to right (left) ,
 side-fixing (or soffit-fixing) ...
 block frame clearance height and width (H, B)

GEZE APOLL ROLLER-GUIDED GEARS FOR SLIDING DOORS

GEZE Apoll for centre-folding doors – Size 0,1,2

Centre-folding, i. e. half inward and half outward.

Centre-folding doors start with a half leaf hinged to the jamb.

The rollers are fitted above the centre of the leaf.

The first roller is normally positioned at the first full leaf.

The track can be mounted with soffit- oder side-fixing brackets.

On the underside of each leaf, on the side towards which the leaf folds, a flush bolt is fitted.

The floor guide should be arranged plumb underneath the roller carriage.

The best leaf widths are between 600 mm and 900 mm.

Use 3 hinges per leaf; for high leaves (≥ 280 cm) 4. Hinges with ball bearings are recommended.

The first leaf is fitted with a roller; thereafter every second leaf.

When choosing the track size and the roller, it should be noted that each roller has to take approximately the weight of two leaves.

The use of double rollers is recommended.

In the fold area the brackets for track mounting should be spaced at 350 mm (increased load-bearing).

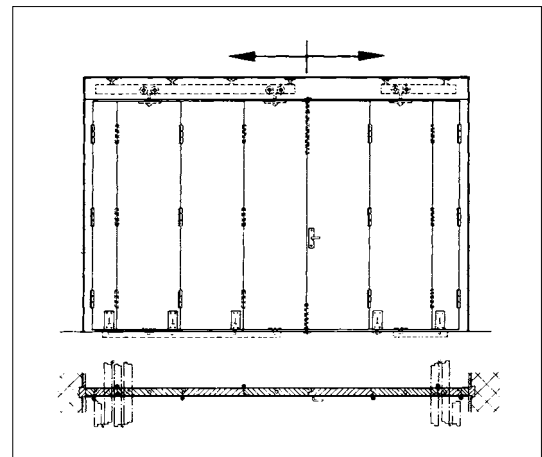


Fig. 27-1

GEZE APOLL ROLLER-GUIDED GEARS FOR SLIDING DOORS

GEZE Apoll for centre-folding doors – Mounting options

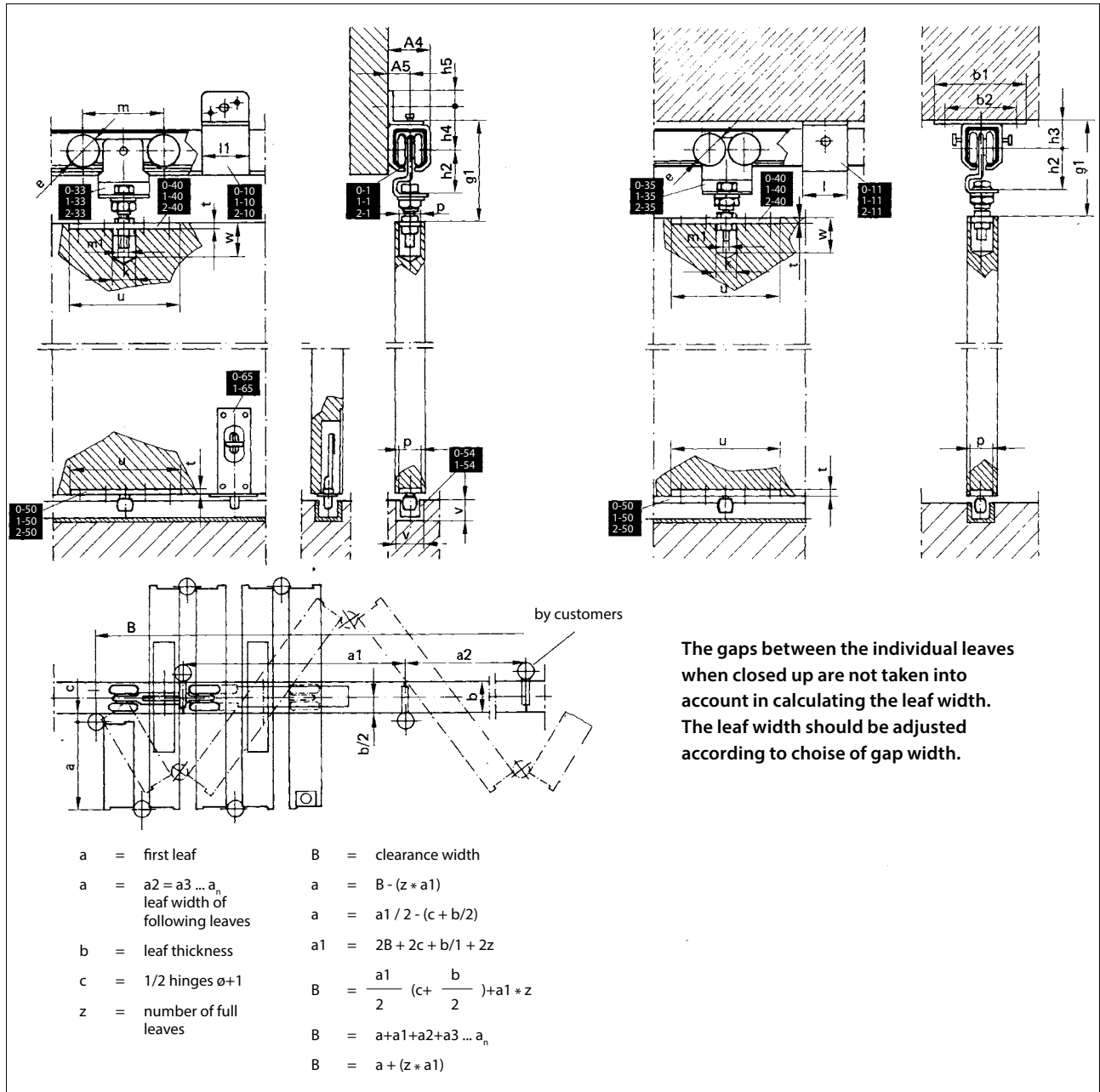


Fig. 28-1

	Size 0	Size 1	Size 2
A4	41	52,5	70
A5	20,5	26,5	35
b1	100	135	170
b2	70	91	114
e	32	42	56
g1	98-111,5	122,5-141,5	157-180,5
h2	41,5	53	71
h3	29	38	48,5
h4	43,5	55,5	72,5
h5	15	18	24,5

	Size 0	Size 1	Size 2
k	ø 22	ø 24	ø 30
l	45	65	85
l1	45	65	95
m	80	114	140
m1	M 10	M 12	M 16
p	22	30	40
t	5	6	8
u	110	180	220
v	20	20	30
w	35	45	53

GEZE APOLL ROLLER-GUIDED GEARS FOR SLIDING DOORS

GEZE Apoll for centre-folding doors – Mounting options

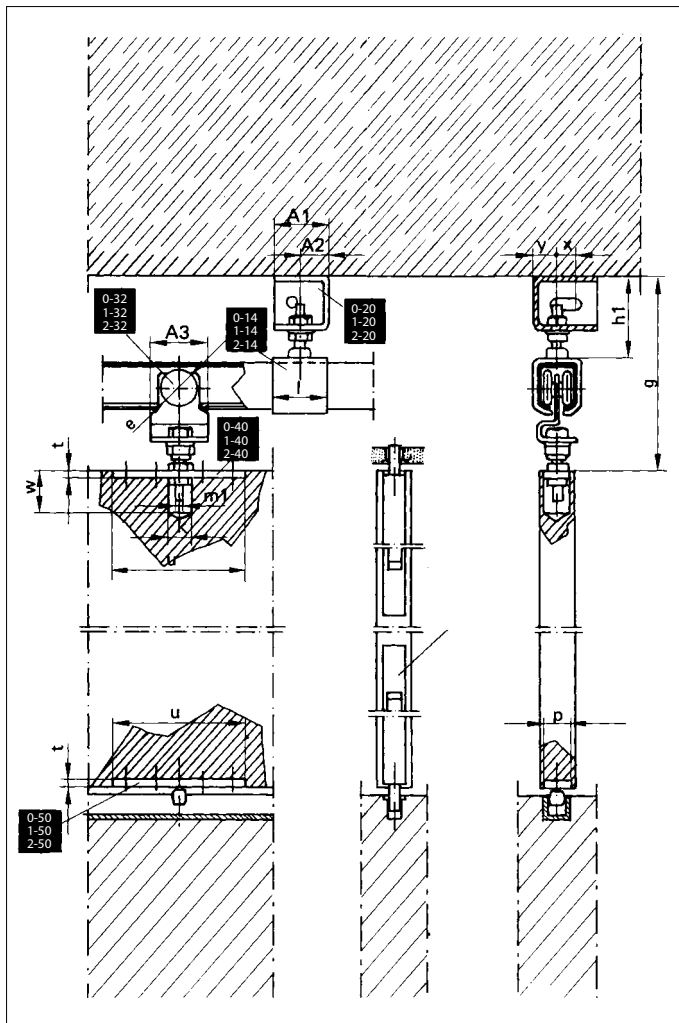


Fig. 29-1

	Size 0	Size 1	Size 2
A1	45	50	80
A2	22,5	25	40
A3	50	65	85
e	32	42	56
g	156,5-186,5	219-242	277,5-345
h1	61,5-78,5	84-112	115-145

	Size 0	Size 1	Size 2
k	∅ 22	∅ 24	∅ 30
l	45	65	85
m1	M 10	M 12	M 16
p	22	30	40
t	5	6	8
u	110	180	220
w	35	45	53
x	14	20	30
y	20,5	26,5	35

STANDARD DRAWINGS FOR CENTRE-FOLDING DOORS

Drawing	ID No.
Side- and soffit-fixing GEZE Apoll Size 0	10620/0-20
Side-fixing	GEZE Apoll Size 1
	GEZE Apoll Size 2
Soffit-fixing	GEZE Apoll Size 1
	GEZE Apoll Size 2

GEZE APOLL ROLLER-GUIDED GEARS FOR SLIDING DOORS

GEZE Apoll for centre-folding doors – Mounting options

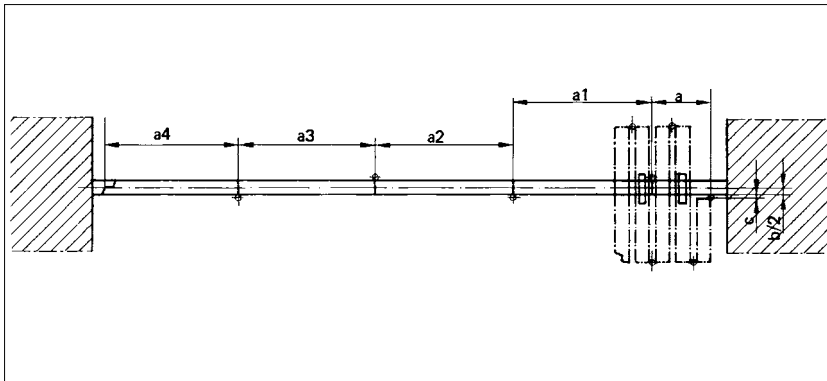


Fig. 30-1

	Size 0	Size 1	Size 2
Door plate	0-40	1-40	2-40
Floor guide roller	0-50	1-50	2-50

$a_1 = a_2 = a_3 \dots a_n$ width of following leaves
 a = width of the first leaf to blind frame

Soffit-fixing

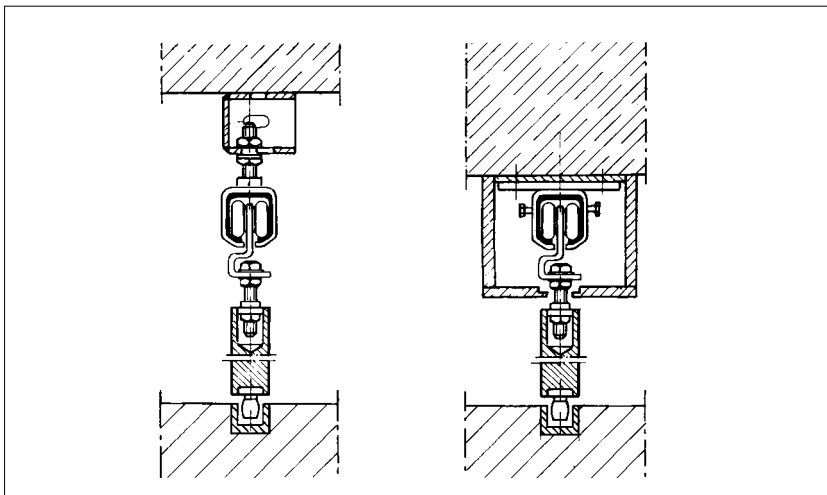


Fig. 30-2

Soffit-fixing

With single console -20, bracket for vertical and lateral adjustment -14, track -1, double roller with pivot bearing -33, door plate -40, flat-plate guide roller -50, flush bolt -65, floor channel -54.

With soffit-fixing bracket -11, track -1, double roller with pivot bearing -33, door plate -40, flat-plate guide roller -50, flush bolt -65, floor channel -54.

Side-fixing

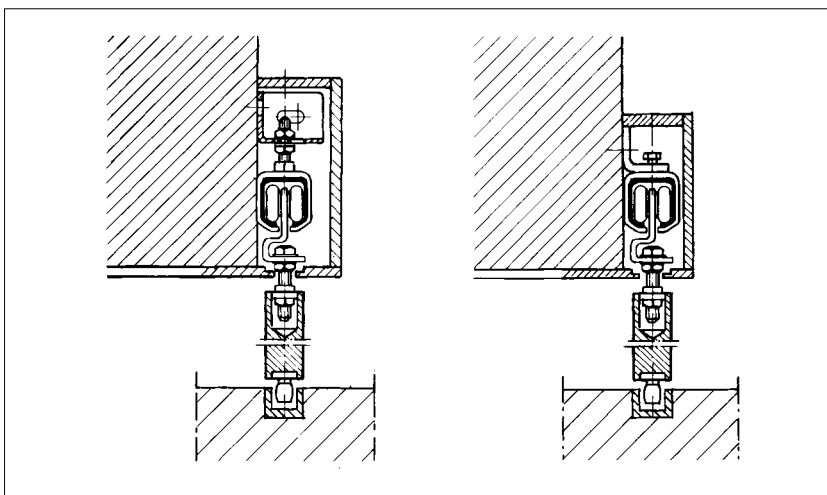


Fig. 30-3



Side-fixing

With single console -20, bracket for vertical and lateral adjustment -14, track -1, double roller with pivot bearing -33, door plate -40, flat-plate guide roller -50, flush bolt -65, door channel -54.

With side-fixing bracket -10, track -1, double roller with pivot bearing -33, door plate -40, flat-plate guide roller -50, flush bolt -65, door channel -54.

GEZE APOLL ROLLER-GUIDED GEARS FOR SLIDING DOORS

ORDERING INFORMATION – GEZE APOLL FOR CENTRE-FOLDING DOORS

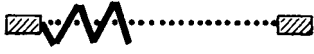
Summary of fittings	Fitting No.	ID No. Size 0	ID No. Size 1	ID No. Size 2
 2 1/2-leaf centre-folding doors:				
1 track, length = 1 x leaf width + 100 mm, cut to size	-1	051506	051473	051472
1 soffit-fixing bracket per 700 mm track length	-11	023286	021691	012119
or				
1 single console for vertical and lateral adjustment	-20	024325	013772	○
with 1 soffit-fixing bracket per 700 mm track length	-14	024126	013097	007197
1 double roller with pivot bearing	-33	050997	049950	049962
or 1 double roller with pivot bearing, reduced version	-35	054044	054052	○
or 1 single roller with pivot bearing	-32	050996	051021	049961
1 door plate	-40	018431	012658	010890
1 flat-plate guide roller	-50	019884	012665	011139
1 floor channel, length as track, cut to size	-54	051650	051650	051655
2 flush bolts				
82 x 35 mm	0-65	049974	○	○
120 x 65 mm	1-65	○	149694	149694
3 to 4 hinges per leaf with ball bearing rings supplied by customer				
For side-fixing				
1 side-fixing bracket per 700 mm track length	-10	020701	012686	011554
 2 1/2-leaf centre-folding door:				
1 track, length = 3 x leaf width + 100 mm, cut to size	-1	051506	051473	051472
1 soffit-fixing bracket per 700 mm track length (in fold area per 350 mm)	-11	023286	012691	012119
or				
1 single console for vertical and lateral adjustment	-20	024325	013772	○
with 1 bracket for vertical and lateral adjustment per 700 mm track length	-14	024126	013097	007197
2 double rollers with pivot bearing	-33	050997	049950	049962
or 2 double rollers with pivot bearing, reduced version	-35	054044	054052	○
or 2 single rollers with pivot bearing	-32	050996	051021	049961
2 door plates	-40	018431	012658	010890
2 flat-plate guide rollers	-50	019884	012665	011139
1 door channel, length as track, cut to size	-54	051650	051650	051655
3 flush bolts				
82 x 35 mm	0-65	049974	○	○
120 x 65 mm	1-65	○	149694	149694
3 to 4 hinges per leaf with ball bearing rings supplied by customer				
For side-fixing				
1 side-fixing bracket per 700 mm track length (in fold area per 350 mm)	-10	020701	012686	011554

● = yes, ○ = no

Summary of fittings 4 1/2-leaf centre-folding door fitting systems, see next page

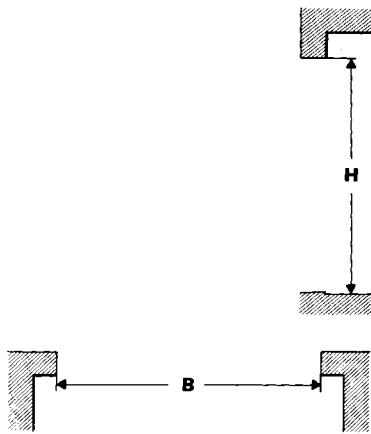
GEZE APOLL ROLLER-GUIDED GEARS FOR SLIDING DOORS

ORDERING INFORMATION – GEZE APOLL FOR CENTRE-FOLDING DOORS

Summary of fittings	Fitting No.	ID No. Size 0	ID No. Size 1	ID No. Size 2
 4 1/2-leaf centre-folding door:				
1 track, length = 3 x leaf width + 100 mm, cut to size	-1	051506	051473	051472
1 soffit-fixing bracket per 700 mm track length (in fold area per 350 mm)	-11	023286	021691	012119
or				
1 single console for vertical and lateral adjustment	-20	024325	013772	○
with 1 bracket for vertical and lateral adjustment per 700 mm track length	-14	024126	013097	007197
2 double rollers with pivot bearing	-33	050997	049950	049962
or 2 double rollers with pivot bearing, reduced version	-35	054044	054052	○
or 2 single rollers with pivot bearing	-32	050996	051021	049961
2 door plates	-40	018431	012658	010890
2 flat-plate guide rollers	-50	019884	012665	011139
1 door channel, length as track, cut to size	-54	051650	051650	051655
4 flush bolts				
82 x 35 mm	0-65	049974	○	○
120 x 65 mm	1-65	○	149694	149694
3 to 4 hinges per leaf with ball bearing rings supplied by customer				
For side-fixing				
1 side-fixing bracket per 700 mm track length (in fold area per 350 mm)	-10	020701	012686	011554

● = yes, ○ = no

Summary of fittings for 5-leaf and multi-leaf fitting systems on request



Ordering information

GEZE APOLL centre-folding door gear Size,
 No. of full leaves,
 (+1/2 leaf per folding side),
 Folding to right (left),
 block frame clearance height and weight (H, B)
 Side-fixing (or soffit-fixing)

GEZE APOLL ROLLER-GUIDED GEARS FOR SLIDING DOORS

GEZE Apoll for end-folding and centre-folding doors – Accessories

Single roller with pivot bearing

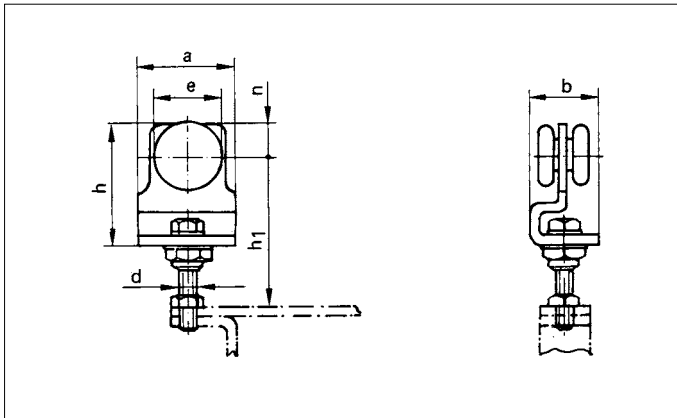


Fig. 33-1

	Size 0	Size 1	Size 2
Des.	0-32	1-32	2-32
a	50	65	85
b	35	48	68
h	58	80	104
n	13	21	25
e	32	42	56
d	M 10	M 12	M 16
h1	66-83	83-101	106-129
kg (weight)	0,27	0,68	1,5
Load	max. 50 kg	max. 100 kg	max. 200 kg
ID No.	050996	051021	049961

Double roller with pivot bearing

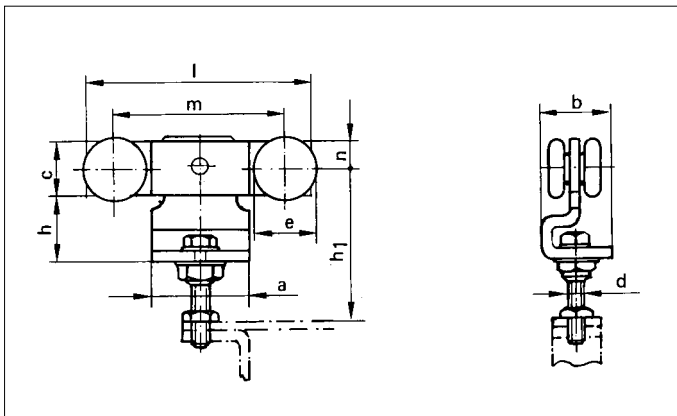


Fig. 33-2

	Size 0	Size 1	Size 2
Des.	0-33	1-33	2-33
a	50	65	85
b	35	48	68
l	100	150	190
m	80	114	140
h	32	42	56
c	26	37	48
e	32	42	56
d	M 10	M 12	M 16
n	13	20	25
h1	66-83	83-101	106-129
kg (weight)	0,57	1,28	2,8
Load	max. 100 kg	max. 200 kg	max. 300 kg
ID No.	050996	051021	049961

Pivot bearings, loose

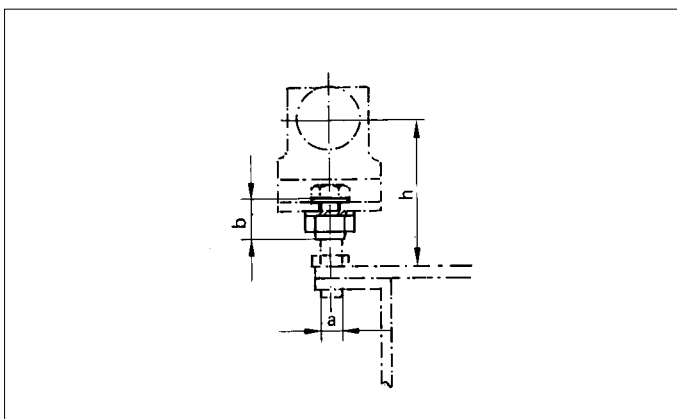


Fig. 33-3

	Size 0	Size 1	Size 2
Des.	0-34	1-34	2-34
a	M 16 x1,5	M 20 x 2	M 24 x 2
b	22	25	30
h	66-83	83-101	106-129
kg (weight)	0,07	0,08	0,1
ID No.	050998	049951	049963

GEZE Apoll for end-folding and centre-folding doors – Accessories

Double roller with pivot bearing, reduced version

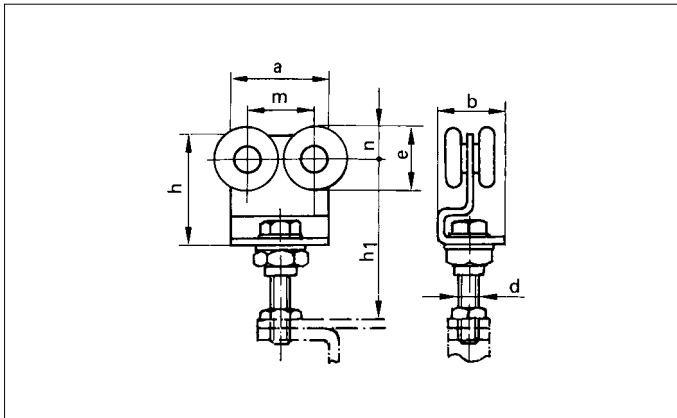


Fig. 34-1

	Size 0	Size 1
Des.	0-35	1-35
Door thickness	< 40	< 60
a	50	65
b	35	48
m	34	45
h	58	80
e	32	42
d	M 10	M 12
n	13	20
h1	66-83	83-101
kg (weight)	0,35	0,9
Load	max. 100 kg	max. 200 kg
ID No.	054044	054052

GEZE APOLL ROLLER-GUIDED GEARS FOR SLIDING DOORS

GEZE Apoll for end-folding and centre-folding doors – Accessories

Edge-fixing hanger, pivot point 18, 20, 30 mm

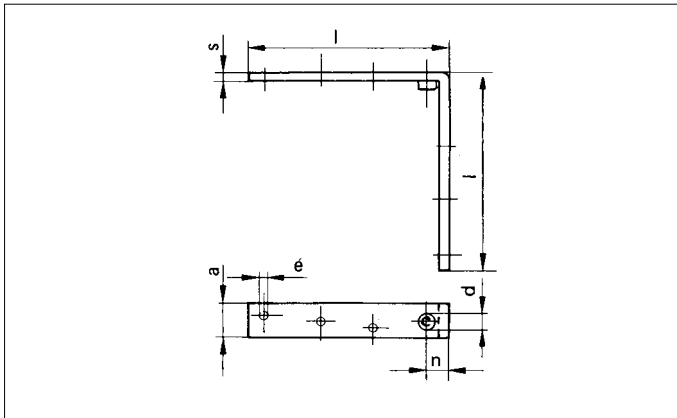


Fig. 35-1

	Size 0	Size 1
Des.	0-41	1-41
l	100	180
a	22	30
s	5	6
n	18	20
d	M 10	M 12
e	6,4	8,4
No. of fixing holes	4	6
kg (weight)	0,2	0,5
ID No.	018801	012661

Edge-fixing hanger, pivot point 60, 90, 100 mm

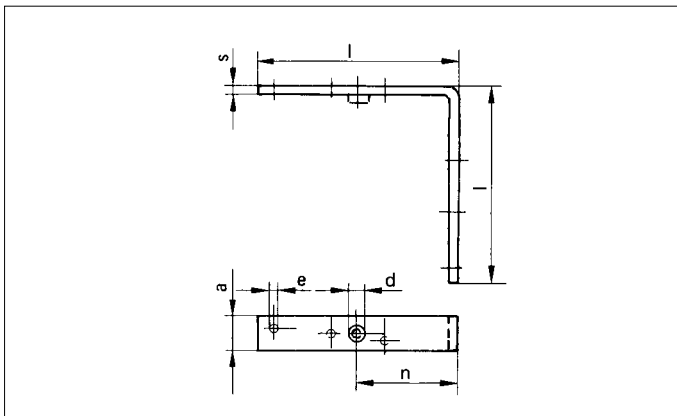


Fig. 35-2

	Size 0	Size 1
Des.	0-42	1-42
l	110	180
a	22	30
s	5	6
n	60	90
d	M 10	M 12
e	6,4	8,4
No. of fixing holes	4	6
kg (weight)	0,2	0,5
ID No.	019019	012663

Edge-fixing hanger for end-folding doors

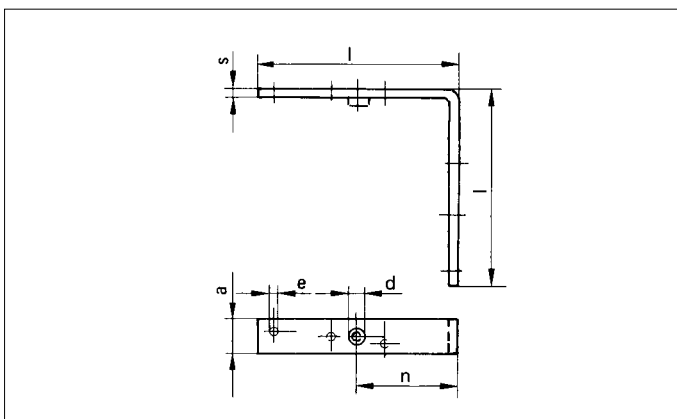


Fig. 35-3

	Size 0	Size 1
Des.	0-44	1-44
a	110	180
b	147	225
c	22	30
s	5	6
e	ø 6,4	ø 8,4
f	25	32
l	110	180
No. of fixing holes	4	6
kg (weight)	0,25	0,6
ID No.	050994	051012

GEZE APOLL ROLLER-GUIDED GEARS FOR SLIDING DOORS

GEZE Apoll for end-folding and centre-folding doors – Accessories

Door plate

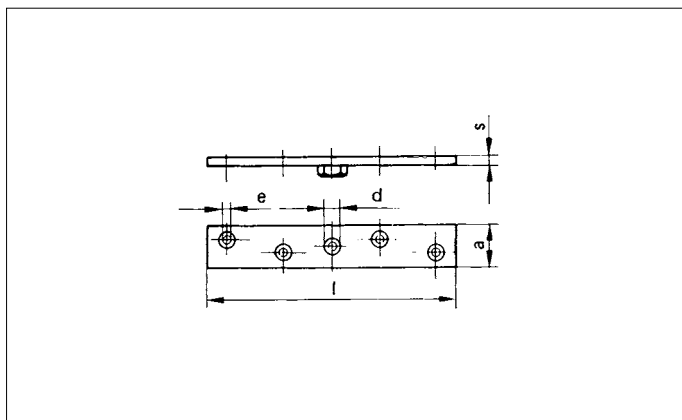


Fig. 36-1

	Size 0	Size 1	Size 2
Des.	0-40	1-40	2-40
l	110	180	220
a	22	30	40
s	5	6	8
d	M 10	M 12	M 16
e	6,4	8,4	8,4
No. of fixing holes	4	6	6
kg (weight)	0,1	0,2	0,5
ID No.	018431	012658	010890

Double-sided hanger

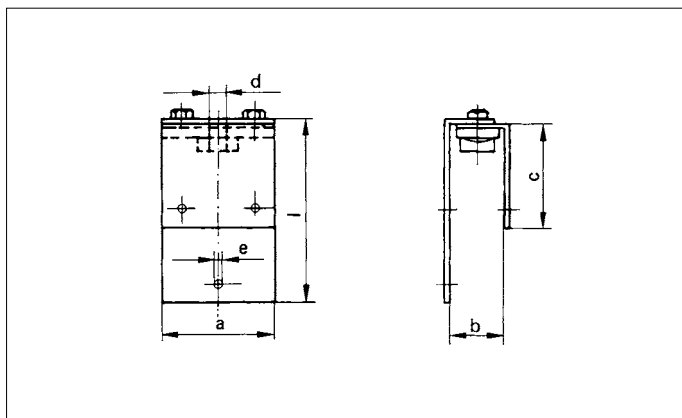


Fig. 36-2

	Size 0	Size 1	Size 1
Des.	0-42	0-42	1-42
a	60	80	80
l	80	128	115
c	80	73	60
d	M 10	M 12	M 12
e	6,5	8,5	8,5
b	22-37	30-46	44-60
kg (weight)	0,2	0,6	0,6
ID No.	019138	012947	012946

Flat-plate guide roller

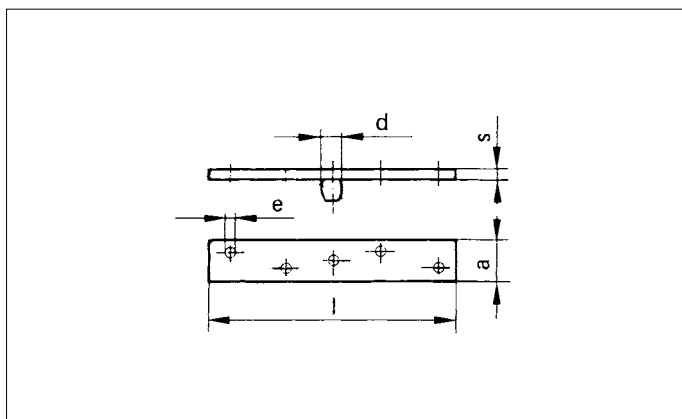


Fig. 36-3

	Size 0	Size 1	Size 1
Des.	0-50	1-50	2-50
l	110	180	220
a	22	30	40
s	5	6	8
d	ø 15,5	ø 15,5	ø 22
e	6,4	8,4	8,4
No. of fixing holes	4	4	6
kg (weight)	0,11	0,3	0,5
ID No.	019884	012665	011139

GEZE APOLL ROLLER-GUIDED GEARS FOR SLIDING DOORS

GEZE Apoll for end-folding and centre-folding doors – Accessories

Edge-fixing guide roller for end-folding doors

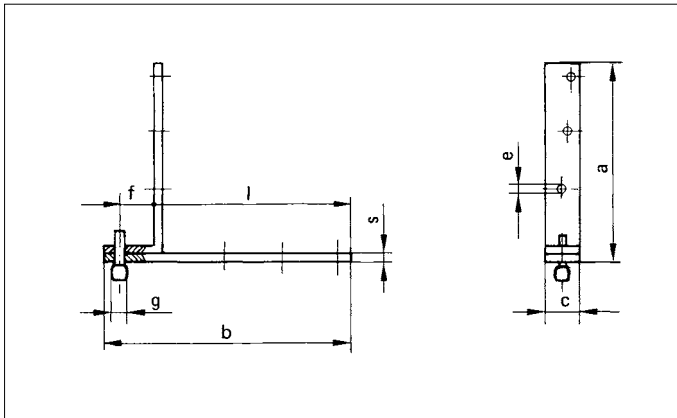


Fig. 37-1

	Size 0	Size 1
Des.	0-53	1-53
a	110	180
b	147	225
c	22	30
s	5	6
e	ø 6,4	ø 8,4
f	25	32
g	ø 15,5	ø 15,5
l	110	180
kg (weight)	0,25	0,6
ID No.	050995	051015

Floor guide roller, pivot point 18, 20, 30 mm

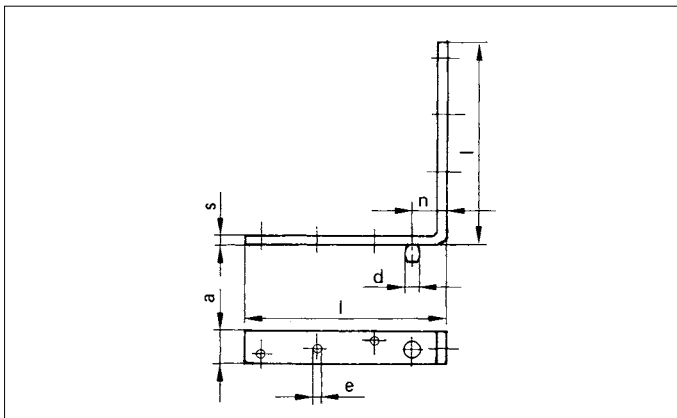


Fig. 37-2

	Size 0	Size 1
Des.	0-51	1-51
a	110	180
c	22	30
s	5	6
n	18	20
d	ø 15,5	ø 15,5
e	6,4	8,4
No. of fixing holes	4	6
kg (weight)	0,2	0,5
ID No.	020404	012946

Floor guide roller, pivot point 60, 90, 100 mm

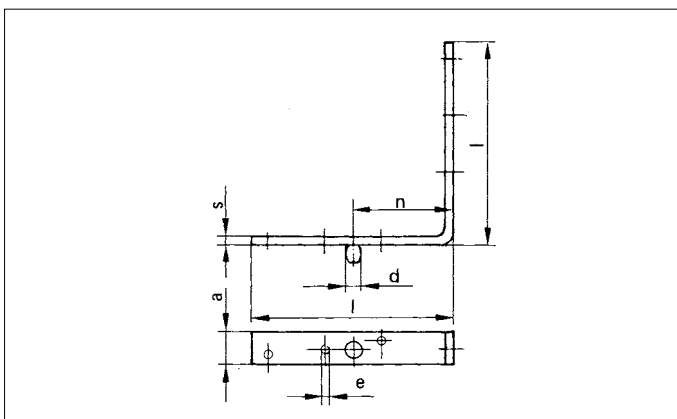


Fig. 37-3

	Size 0	Size 1
Des.	0-52	1-52
a	110	180
c	22	30
s	5	6
n	60	90
d	ø 15,5	ø 15,5
e	6,4	8,4
No. of fixing holes	4	6
kg (weight)	0,2	0,5
ID No.	020522	012672

GEZE APOLL ROLLER-GUIDED GEARS FOR SLIDING DOORS

GEZE Apoll for end-folding and centre-folding doors – Accessories

Flush bolt size 0

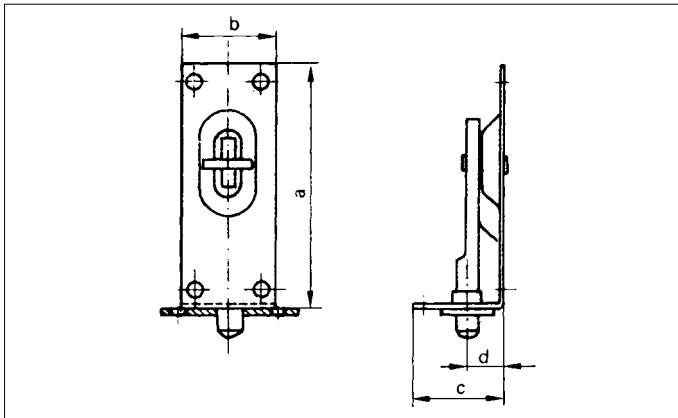


Fig. 38-1

Size 0	
Des.	0-65
a	82
b	35
c	13
d	7
kg (weight)	0,05
ID No.	049974

Flush bolt size 1

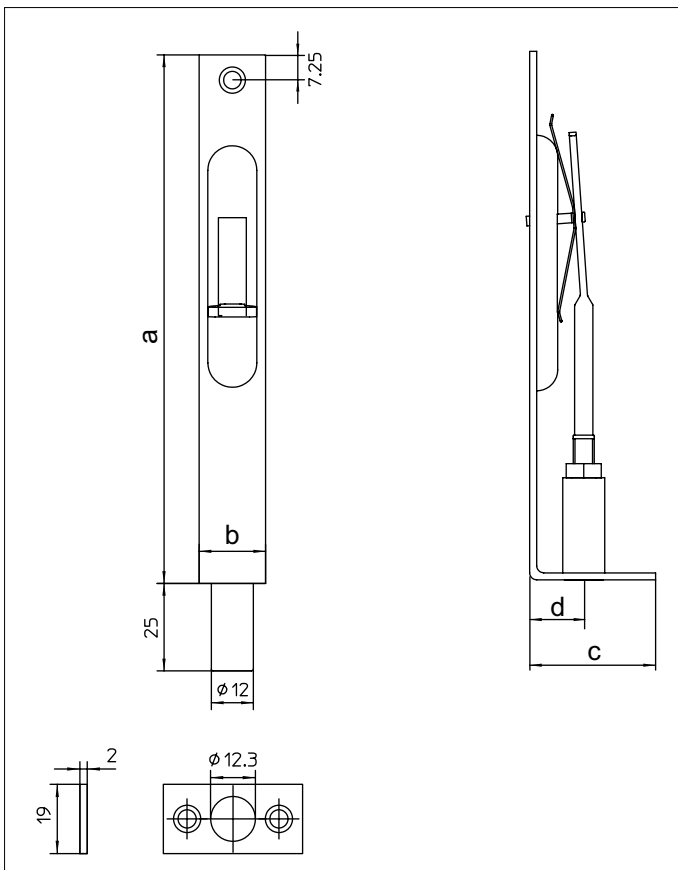


Fig. 38-2

Size 1	
Des.	1-65
a	151
b	19
c	36
d	16
kg (weight)	0,05
ID No.	149694

GEZE APOLL ROLLER-GUIDED GEARS FOR SLIDING DOORS

Product information for sliding door gears

In accordance with the definition of the liability of manufacturers for their products set out in paragraph 4 of the "Produkthaftungsgesetz" (German Manufacturer's Liability Law), the following information on sliding door gear should be observed. Failure to do so absolves the manufacturer from liability.

Product information and use in accordance with intended purpose

Sliding door gear, according to this definition, are fittings for doors and other push-able elements, henceforth called objects, which are not normally moved faster than walking pace. Sliding door gear is used in vertically fitted doors made of wood, plastic, glass, aluminium or steel and appropriate combinations of these materials.

A floor guide is provided at the lower horizontal edge of the door. Special versions of products must be specified for damp rooms, direct exposure to the elements, exposure to cross winds, for installation near the sea and in highly corrosive conditions.

Correct installation by qualified personnel is a particularly important aspect of use for intended purpose. The object must be sufficiently rigid at all of these points. The function of the gear must not be hindered or altered by installation. A buffer must be used in order to limit the displacement path.

Misuse

Misuse - in other words use in a manner not in accordance with the intended purpose - can be said to occur in the following cases in particular:

- if the gear is used with a higher max. load than specified in the catalogue and in the other product documents,
- if incorrectly installed or attached,
- if ambient temperatures are too high or too low,
- if particularly aggressive media can affect the gear,
- if subjected to inordinately great pushing or pulling loads,
- if the position of the track deviates too greatly from the horizontal,
- if foreign bodies get into the track,
- if the rollers are operated too fast,
- if alterations are carried out without the manufacturer's authorization,
- if obstacles are placed in the opening or between the door or the object thereby preventing intended use,
- if additional loads act upon the door or object,
- if someone is trapped between the door and the door frame while the door is being pushed or closed, or if a person or part of the body is in this area.

Product Performance

In cases where the performance of the product is not specifically described in the catalogues, brochures, instructions etc., special requirements must be discussed with and agreed by the manufacturer. Our regulations, which affect the composition of the sliding door gear, are binding.

Product Maintenance

Components of sliding door gear which are relevant to safety must be regularly inspected for proper fixing and signs of wear. Fixing screws are to be re-tightened and faulty components must be replaced. In addition, the following maintenance work must be carried out at least once a year:

- All moving parts are to be tested for free movement.
- In the case of running carriages with metal rollers, the moving parts must be greased (type of grease to be used on request). Plastic rollers must not be greased.
- Only use cleaning agents which do not impair the anti-corrosion protection of the gear.
- Faulty sliding door gears must be replaced.
- Adjustment work on the gears and the replacement must be carried out by qualified personnel.

Duty of Information and Instructions

The following sources of information are available to planners, specialist dealers, administrative personnel, building contractors and users by way of fulfillment of the duty of information and instruction:

- catalogues, brochures
- descriptions of tender, descriptions of offer
- mounting drawings, installation drawings
- maintenance and operating instructions.

In order to ensure correct use, proper functioning and maintenance and care of sliding door gear,

- architects and planners must request and apply the necessary product information,
- specialist dealers must take account of the product information and notes in the price lists, and in particular must request all necessary instructions and pass these on to the installation personnel,
- installation personnel must take account of all product information, and in particular must request operating and maintenance instructions and pass these on to the ordering party and the user.

Application for similar fittings

Sliding gear with horizontally installed objects, e.g., drawer guides or gear with vertical runner tracks must be handled according to their respective characteristics with respect to product information, use for intended purpose, misuse, product performance, product maintenance and servicing, and duty of information and instruction.

NOTES

You will find more product information in the relevant brochures, see ID numbers.

Door technology

01	Overhead door closers ID 091593, ID 091594
02	Hold-open systems ID 091593, ID 091594
03	Integrated door closers ID 091609
04	Floor springs ID 091607
05	Sliding door gear systems and linear guides ID 123605, ID 008770, ID 000586

Automatic door systems

06	Swing doors ID 144785
07	Sliding, telescopic and folding doors ID 143639
08	Circular and semi-circular sliding doors ID 135772
09	Revolving doors ID 132050
10	Actuation devices and sensors ID 142655

Smoke and heat extraction and window technology

11	Fanlight opening systems ID 127787
12	Electric opening and locking systems ID 154851
13	Electrical spindle and linear drives ID 154851
14	Electric chain drives ID 154851
15	Smoke and heat extraction systems ID 154851

Safety technology

16	Emergency exit systems ID 132408
17	Access control systems ID 132158
18	Panic locks ID 132848
19	Electric strikes ID 148666
20	Building management system ID 132408

Glass systems

21	Manual sliding wall systems (MSW) ID 104377
22	Integrated all-glass systems (IGG) ID 104366
23	GEZE Patch fittings mono glass systems ID 122521



POTENTIAL APPLICATIONS OF GEZE PRODUCTS



Door technology

The functionality, superior performance and reliability of GEZE door closers are impressive. A common design across the range, the ability to use them on all common door leaf widths and weights, and the fact that they can be individually adjusted makes their selection simple. They are continually being improved and enhanced with up-to-date features. For example, the requirements of fire protection and accessibility are fulfilled with a door closer system.

Automatic door systems

GEZE automatic door systems open up a huge variety of options in door design. The latest, innovative high-performance drive technology, safety, ease of accessibility and first class universal drive design set them apart. GEZE offers complete solutions for individual requirements. A dedicated division is responsible for the development and construction of individual special designs.

Smoke and heat extraction and window technology

GEZE smoke and heat extraction systems and ventilation technology provide complete systems solutions combining the many requirements of different types of windows. We supply a full range from energy efficient drive systems to natural ventilation and complete solutions for supplying and extracting air, also as certified SHEVs.

Safety technology

GEZE safety technology sets the standards where preventative fire protection, access control and anti-theft security in emergency exits are concerned. For each of these objectives GEZE offers tailored solutions, which combine the individual safety requirements in one intelligent system and close doors and windows in case of danger in a coordinated manner.

Building systems

In GEZE's Building Management System GEZE door, window and safety products can be integrated in to the security and control systems of the building. A central control and visualisation system monitors various automation components in the building and offers security through many different networking capabilities.

Glass systems

GEZE glass systems stand for open and transparent interior design. They can either blend discreetly into the architecture of the building or stand out as an accentuated feature. GEZE offers a wide variety of technologies for functional, reliable and aesthetic sliding wall or sliding door systems providing security with lots of design scope.

GEZE GmbH
P.O. Box 1363
71226 Leonberg
Germany

GEZE GmbH
Reinhold-Vöster-Straße 21-29
71229 Leonberg
Germany
Telefon +49 (0) 7152-203-0
Telefax +49 (0) 7152-203-310
www.geze.com

Germany
GEZE Sonderkonstruktionen GmbH
Planken 1
97944 Boxberg-Schweigern
Tel. +49 (0) 7930-92 94-0
Fax +49 (0) 7930-92 94-10
sk.de@geze.com

GEZE GmbH
Niederlassung Süd-West
Breitwiesenstraße 8
71229 Leonberg
Tel. +49 (0) 7152-203-594
Fax +49 (0) 7152-203-438
leonberg.de@geze.com

GEZE GmbH
Niederlassung Süd-Ost
Parkring 17
85748 Garching bei München
Tel.: +49 (0) 89-120 07 42-50
Fax.: +49 (0) 7152-203-77050
garching.de@geze.com

GEZE GmbH
Niederlassung Ost
Bühningstraße 8
13086 Berlin (Weissensee)
Tel. +49 (0) 30-47 89 90-0
Fax +49 (0) 30-47 89 90-17
berlin.de@geze.com

GEZE GmbH
Niederlassung Mitte/Luxemburg
Adenauerallee 2
61440 Oberursel (b. Frankfurt)
Tel. +49 (0) 6171-63 610-0
Fax +49 (0) 6171-63 610-1
frankfurt.de@geze.com

GEZE GmbH
Niederlassung West
Nordsternstraße 65
45329 Essen
Tel. +49 (0) 201-83 082-0
Fax +49 (0) 201-83 082-20
essen.de@geze.com

GEZE GmbH
Niederlassung Nord
Haus 11, 1. OG - Theodorstr. 42-90
22761 Hamburg-Bahrenfeld
Tel. +49 (0) 40-2 19 07 16-27
Fax +49 (0) 40-2 19 07 16-28
hamburg.de@geze.com

GEZE Service GmbH
Niederlassung Süd-West
Reinhold-Vöster-Straße 25
71229 Leonberg
Tel. +49 (0) 1802-923392
Fax +49 (0) 7152-92 33 63
service-leonberg.de@geze.com

GEZE Service GmbH
Niederlassung Süd
Parkring 17
85748 Garching bei München
Tel. +49 (0) 1802-923392
Fax +49 (0) 89-120 07 42-60
service-muenchen.de@geze.com

GEZE Service GmbH
Niederlassung Mitte
Oberurseler Str. 69
61440 Oberursel
Tel. +49 (0) 1802-923392
Fax +49 (0) 6171-63 327-19
service-oberursel.de@geze.com

GEZE Service GmbH
Niederlassung West
Nordsternstraße 65
45329 Essen
Tel. +49 (0) 1802-923392
Fax +49 (0) 201-8 30 82-25
service-essen.de@geze.com

GEZE Service GmbH
Niederlassung Nord-Ost
Bühningstraße 8
13086 Berlin (Weissensee)
Tel. +49 (0) 1802-923392
Fax +49 (0) 30-47021733
service-berlin.de@geze.com

GEZE Service GmbH
Niederlassung Nord
Theodorstr. 42-90, Haus 11
22761 Hamburg
Tel. +49 (0) 1802-923392
Fax +49 (0) 40-219 07 16-19
service-hamburg.de@geze.com

Austria
GEZE Austria
Wiener Bundesstrasse 85
A-5300 Hallwang
Tel: +43/6225/87180
Fax: +43/6225/87180-299
austria.at@geze.com

Baltic States
GEZE GmbH Baltic States office
Dzelzavas iela 120 S
1021 Riga
Tel. +371 (0) 67 89 60 35
Fax +371 (0) 67 89 60 36
office-latvia@geze.com

Benelux
GEZE Benelux B.V.
Steenoven 36
5626 DK Eindhoven
Tel. +31 (0) 40-26 290-80
Fax +31 (0) 40-26 290-85
benelux.nl@geze.com

Bulgaria
GEZE Bulgaria - Trade
Representative Office
Nickolay Haitov 34 str., fl. 1
1172 Sofia
Tel. +359 (0) 24 70 43 73
Fax +359 (0) 24 70 62 62
office-bulgaria@geze.com

China
GEZE Industries (Tianjin) Co., Ltd.
Shuangchenzhong Road
Beichen Economic Development
Area (BEDA)
Tianjin 300400, P.R. China
Tel. +86 (0) 22-26 97 39 95-0
Fax +86 (0) 22-26 97 27 02
sales-info@geze.com.cn

GEZE Industries (Tianjin) Co., Ltd.
Branch Office Shanghai
Unit 25N, Cross Region Plaza
No 899, Ling Ling Road,
XuHui District
200030 Shanghai, P.R. China
Tel. +86 (0) 21-523 40 960
Fax +86 (0) 21-644 72 007
chinasales@geze.com.cn

GEZE Industries (Tianjin) Co., Ltd.
Branch Office Guangzhou
Room 17C3
Everbright Bank Building, No.689
Tian He Bei Road
510630 Guangzhou
P.R. China
Tel. +86 (0) 20-38 73 18 42
Fax +86 (0) 20-38 73 18 34
chinasales@geze.com.cn

GEZE Industries (Tianjin) Co., Ltd
Branch Office Beijing
Room 1001, Tower D
Sanlitun SOHO
No. 8, Gongti North Road,
Chaoyang District
100027 Beijing, P.R.China
Tel. +86 (0) 10-59 35 93 00
Fax +86 (0) 10-59 35 93 22
chinasales@geze.com.cn

France
GEZE France S.A.R.L.
ZAC de l'Orme Rond
RN 19
77170 Servon
Tel. +33 (0) 1 60 62 60 70
Fax +33 (0) 1 60 62 60 71
france.fr@geze.com

Hungary
GEZE Hungary Kft.
Hungary-2051 Biatorbágy
Vendel Park
Huber u. 1.
Tel. +36/23/532-735
Fax +36/23/532-738
office-hungary@geze.com

Iberia
GEZE Iberia S.R.L.
C/ Andorra 24
08830 San Boi de Llobregat
(Barcelona)
Tel. +34 902 194 036
Fax +34 902 194 035
info@geze.es

India
GEZE India Private Ltd.
MF 2 & 3, Guindy Industrial Estate
Ekkattuthangal
Chennai 600 097
Tamilnadu
Tel. +91 (0) 44 30 61 69 00
Fax +91 (0) 44 30 61 69 01
office-india@geze.com

Italy
GEZE Italia S.r.l
Via Giotto, 4
20040 Cambiago (MI)
Tel. +39 (0) 29 50 695-11
Fax +39 (0) 29 50 695-33
italia.it@geze.com

GEZE Italia S.r.l
Via Lucrezia Romana, 91
00178 Roma
Tel. +39 (0) 6-72 65 311
Fax +39 (0) 6-72 65 3136
roma@geze.biz

Poland
GEZE Polska Sp.z o.o.
ul. Annapol 21
03-236 Warszawa
Tel. +48 (0) 22 440 4 440
Fax +48 (0) 22 440 4 400
geze.pl@geze.com

Romania
GEZE Romania S.R.L.
IRIDE Business Park,
Str. Dimitrie Pompeiu nr. 9-9a,
Building 10, Level 2, Sector 2,
020335 Bucharest
Tel.: +40 (0) 21 25 07 750
Fax: +40 (0) 21 25 07 750
office-romania@geze.com

Russia
OOO GEZE RUS
Gamsonovskiy Per. 2
115191 Moskau
Tel. +7 (0) 495 933 06 59
Fax +7 (0) 495 933 06 74
office-russia@geze.com

Scandinavia - Sweden
GEZE Scandinavia AB
Mallslingan 10
Box 7060
18711 Täby, Sweden
Tel. +46 (0) 8-7323-400
Fax +46 (0) 8-7323-499
sverige.se@geze.com

Scandinavia - Norway
GEZE Scandinavia AB avd. Norge
Industriveien 34 B
2073 Dal
Tel. +47 (0) 639-57 200
Fax +47 (0) 639-57 173
norge.se@geze.com

Scandinavia - Finland
Branch office of GEZE Scandinavia AB
Herralantie 824
Postbox 20
15871 Hollola
Tel. +358 (0) 10-40 05 100
Fax +358 (0) 10-40 05 120
finland.se@geze.com

Scandinavia - Denmark
GEZE Danmark
Branch office of GEZE Scandinavia AB
Mårkærvej 13 J-K
2630 Taastrup
Tel. +45 (0) 46-32 33 24
Fax +45 (0) 46-32 33 26
danmark.se@geze.com

Singapore
GEZE (Asia Pacific) Pte. Ltd.
21 Bukit Batok Crescent
#23-75 Wcega Tower
Singapore 658065
Tel. +65 6846 1338
Fax: +65 6846 9353
gezesea@geze.com.sg

South Africa
GEZE Distributors (Pty) Ltd.
118 Richards Drive, Halfway House,
Ext 111, P.O. Box 7934, Midrand 1685,
South Africa
Tel: + 27 (0) 113 158 286
Fax: + 27 (0) 113158261
info@gezesa.co.za

Switzerland
GEZE Schweiz AG
Bodenackerstrasse 79
4657 Dulliken
Tel. +41 (0) 62 285 54 00
Fax +41 (0) 62 285 54 01
schweiz.ch@geze.com

Turkey
GEZE Kapı ve Pencere Sistemleri
San. ve Tic. Ltd. Şti.
Ataşehir Bulvarı, Ata 2/3
Plaza Kat: 9 D: 84 Ataşehir
Ataşehir / İstanbul
Tel. + 90 (0) 216 455 43 15
Fax + 90 (0) 216 455 82 15
office-turkey@geze.com

Ukraine
LLC GEZE Ukraine
ul. Viskoznaya, 17,
Building 93-B, Office 12
02660 Kiev
Tel./Fax +38 (0) 44 501 22 25
office-ukraine@geze.com

United Arab Emirates/GCC
GEZE Middle East
P.O. Box 17903
Jebel Ali Free Zone
Dubai
Tel. +971 (0) 4-88 33 112
Fax +971 (0) 4-88 33 240
geze@emirates.net.ae

United Kingdom
GEZE UK Ltd.
Blenheim Way
Fradley Park
Lichfield
Staffordshire WS13 8SY
Tel. +44 (0) 1543 44 30 00
Fax +44 (0) 1543 44 30 01
info.uk@geze.com

GEZE REPRESENTATIVE