



OVERVIEW OF GEZE DOOR CLOSER SYSTEMS OVERHEAD, INTEGRATED AND FLOOR SPRINGS



625

TABLE OF CONTENTS

GEZE Door closer systems	4
<hr/>	
GEZE Overhead door closers with guide rail	
Brief description of the variants	5
Overview table for GEZE system TS 5000	8
<hr/>	
GEZE Overhead door closers with link arm	
Brief description of the variants	10
Overview table for GEZE system TS 4000 / TS 2000	12
<hr/>	
General product information about GEZE overhead door closers	14
<hr/>	
GEZE Integrated door closers - Boxer series	
Brief description of the variants	15
Overview table for the GEZE Boxer series	17
<hr/>	
GEZE Floor springs	
Brief description of the variants	18
Overview table for GEZE floor springs	20
<hr/>	
Reference photos	
GEZE Overhead door closers with guide rail	22
GEZE Overhead door closers with link arm	24
GEZE Integrated door closers - Boxer series	26
GEZE Floor springs	28
<hr/>	
GEZE House: Possible areas of application for GEZE products	30

GEZE door closer systems – Versatile and reliable

Innumerable optical and technical options

As one of the world's leading suppliers of door technology systems, GEZE offers innovative solutions for door closer systems. GEZE products have always been developed around the needs of customers, therefore the company offers direct solutions for individual requirements – aesthetic, functional and economical.

Door closers from GEZE impress with their intelligent functionality, their high performance, and their long life spans, as well as the integrated design lines. GEZE's quality management system has been certified to ISO 9001. GEZE door closers have been inspected and certified in accordance with the applicable standards EN 1154, EN 1155 and EN 1158. Production of these products is regularly monitored by independent test institutes. All these measures guarantee the high quality of GEZE products.

At GEZE, comprehensive customer support and advice have top priority. From draft planning through execution to maintenance of the systems. First-class spare parts management supplements the range of services.

The new GEZE door closer TS 5000 Ecline: High access convenience and large closing force

With the new TS 5000 Ecline system, GEZE is taking a further step forward in the development of its door closers, and is bringing a completely optimised, innovative door closer to the market. It fulfills both fire protection and barrier-free building requirements. Doors with leaf widths of up to 1250 millimetres (EN5) can be opened easily with reduced force. In the case of emergency, the TS 5000 Ecline closes doors safely and reliably.

Visit www.geze.com/ecline for more detailed information about the new TS 5000 Ecline.

Overview of GEZE door closers

Overhead door closers with guide rail



TS 5000 Ecline

Overhead door closers with link arm



TS 4000

Integrated door closers



Boxer 2-4

Floor springs



TS 550 NV

More detailed information about the GEZE door closers can be found in the respective door closer product brochures.

GEZE OVERHEAD DOOR CLOSERS WITH GUIDE RAIL

GEZE Overhead door closers with guide rail

Brief description of the variants

For single-leaf doors

Door closer for single-leaf doors with guide rails represent modern closing technology at every door. The wide range of GEZE door closer technologies ensures that there is a technical solution for every requirement, for example, with electric hold-open device, with smoke switch control unit or with a freeswing function. These products meet the DIBt guidelines for hold-open devices as well as the norms and standards, such as DIN EN 1154 and 1155, and also have a CE mark respectively a general building approval (DiBt).



TS 1500 G: Door closer with guide rail

The overhead door closer TS 1500 G with guide rail for single-leaf doors is particularly suitable for internal doors with door leaf widths up to 850 mm and can be used for right and left single-action doors without conversion.



TS 3000 V: Door closer up to 1100 mm leaf width

The overhead door closer TS 3000 V is suitable for right and left single-leaf doors up to 1100 mm and for installation on fire and smoke-proof doors.



TS 5000 Ecline / TS 5000 L Ecline: Door closers with high access convenience and large closing force

These overhead door closers are suitable for accessible, easy opening single-leaf doors up to 1250 mm leaf width (closing force EN5). They are the ideal system solution for barrier-free building and guarantee high access convenience thanks to the opening support integrated in the guide rail.



TS 5000 / TS 5000 L: Door closers up to 1400 mm leaf width

These overhead door closers for single-leaf doors represent clear lines. They are approved for use on fire and smoke-proof doors. Special version: GEZE door closer TS 5000 S with delayed closing action adjustable from the front.

GEZE OVERHEAD DOOR CLOSERS WITH GUIDE RAIL



TS 5000 E / TS 5000 L-E: Door closers with electric hold-open device

The electric hold-open device in the guide rail allows these overhead door closers to be adjusted continuously to an exact hold-open angle. When combined with an external smoke switch control unit (e.g. RSZ 6), the hold-open function is released in the event of a fire and the door closes safely.



TS 5000 EFS: Door closer with freeswing function

The overhead door closer TS 5000 EFS for single-leaf doors is fitted with the freeswing function. This enables people to go through the door by applying reduced physical force in the opening or closing direction once the door has been opened. When combined with an external smoke switch control unit, the electric freeswing function is released and the door closes automatically in the event of a fire.



TS 5000 RFS: Door closer with freeswing function and smoke switch control unit

The overhead door closer TS 5000 RFS for single-leaf doors is fitted with an integrated smoke switch and the electric freeswing function. This enables people to go through the door by applying reduced physical force in the opening or closing direction after the door has been opened once, i.e. in the morning. The electric freeswing function is released by the integrated smoke switch control unit and the door closes automatically in the event of a fire.



TS 5000 R / TS 5000 L-R: Door closers with smoke switch control unit

These overhead door closers with electric hold-open device and integrated smoke switch control unit are approved for installation on single-leaf fire and smoke-proof doors. In the event of a fire, the smoke detector triggers and the door closes automatically.

GEZE OVERHEAD DOOR CLOSERS WITH GUIDE RAIL

For double-leaf doors

The integrated closing sequence control (ISM) ensures the correct closing sequence of both leaves at double-leaf doors. When the door is closed, the active leaf remains in waiting position until the fixed leaf is closed and releases the active leaf via the closing sequence control.

The double-leaf door closer systems of the ISM series offer numerous specific setting options. Various versions, for example, the electric hold-open device with smoke switch control unit or freeswing function fulfil almost every requirement.

These products meet the DIBt guidelines for hold-open devices as well as the norms and standards, such as DIN EN 1154, 1155 and 1155, and also have a CE mark respectively a general building approval (DiBt).



TS 5000 ISM / TS 5000 L-ISM / TS 5000 L-ISM VPK: Door closers with closing sequence control

System solutions comprising two TS 5000 with adjustable closing force 2-6 in accordance with EN 1154, combined with the ISM guide rail, tested in accordance with EN 1158 and approved for fire and smoke-proof doors.

For opposite hinge side standard or panic function on the active leaf only: TS 5000 L-ISM

For opposite hinge side full panic requirements up to X-dimension 125 mm: TS 5000 L-ISM VPK



TS 5000 ISM-EFS: Door closer with freeswing function

For the system solution TS 5000 ISM-EFS for double-leaf doors, the freeswing function is realised using the ISM-EFS guide rail and the TS 5000 E Hy door closer on the active leaf. The door has to be opened to approx. 90° once to activate the freeswing function. The fixed leaf closes automatically due to the overhead TS 5000 door closer. In the event of a fire, the electric freeswing function is released by an external smoke switch control unit and the door closes safely.



TS 5000 E-ISM / TS 5000 L-E-ISM / TS 5000 L-E-ISM VPK: Door closers with electric hold-open device

These overhead door closers for double-leaf doors with integrated, invisible closing sequence control are equipped with an electric hold-open function in the guide rail which allows continuous setting of the hold-open angle. When the system is combined with an external smoke switch control unit, the hold-open position is released in the event of a fire. These door closers are approved for use on fire and smoke-proof doors.



TS 5000 R-ISM / TS 5000 L-R-ISM / TS 5000 L-R-ISM VP: Door closers with hold-open device and smoke switch control unit

This system solution for double-leaf doors with electric hold-open device on both sides and integrated smoke switch control unit is approved for use on fire and smoke-proof doors. In the event of a fire, the smoke detector triggers and the door closes automatically. For opposite hinge side: TS 5000 L-R-ISM (standard or panic function on the active leaf only) and TS 5000 L-R-ISM VP (full panic requirements up to X-dimension 100 mm).



TS 5000 R-ISM-EFS: Door closer with freeswing function and smoke switch control unit

In the case of the system solution TS 5000 R-ISM-EFS for double-leaf doors, the freeswing function is realised using the R-ISM-EFS guide rail and the TS 5000 E-HY door closer on the active leaf. The door must be opened once to approximately 90°. The fixed leaf closes automatically thanks to the overhead TS 5000 door closer. In the event of a fire, the electric freeswing function is released by the integrated smoke switch control unit and the door closes safely.

GEZE OVERHEAD DOOR CLOSERS WITH GUIDE RAIL

Overview table for GEZE system TS 5000

For single-leaf doors

	TS 1500 G	TS 3000 V	TS 5000 ECLine	TS 5000 L ECLine	TS 5000	TS 5000 L	TS 5000 E	TS 5000 L-E	TS 5000 R	TS 5000 L-R	TS 5000 EFS	TS 5000 RFS
Approval for fire and smoke protection doors ¹³⁾		•	•	•	•	•	•	•	•	•	•	•
Barrier-free in accordance with DIN 18040 up to leaf width (max.) in mm	EN1 750	EN4 1100	EN5 1250	EN5 1250	EN4 1100	EN4 1100	FSA	FSA	FSA	FSA	FSA FL	FSA FL
Closing force in accordance with EN 1154	1	1-4	3-5	3-5	2-6	2-6	2-6	2-6	2-6	2-6	2-5	2-5
Max. door leaf width (mm)	750	1100	1250	1250	1400	1400	1400	1400	1400	1400	1250	1250
Mounting options												
Door leaf installation, hinge side	•	•	•		•		•		•		•	•
Transom installation, hinge side		•		•		•					• ⁴⁾	• ⁴⁾
Opening angle (max.) hinge side ⁸⁾	180°	180°	180°	180°	180°	180°	180°	8)	180°	8)	180°	180°
Door leaf installation, opposite hinge side		•		•		•		•		•		
Transom installation, opposite hinge side		•	•		•							
Functions												
Adjustable closing force		•	•	•	•	•	•	•	•	•	•	•
Adjustable back check		• ²⁾	• ¹²⁾	•	• ¹²⁾	•	•	•	•	•		
Adjustable hydraulic latching action	•	•	•	•	•	•	•	•	•	•	•	•
Adjustable delayed closing action					• ¹⁾							
Adjustable closing speed	•	•	•	•	•	•	•	•	•	•	•	•
Integrated opening support			•	•								
Opening support can be switched off			•	•								
Flexible opening restrictor		•			•	•	•	•	•	•		• ¹⁰⁾
Mechanical hold-open device ³⁾	•	•	•	•	•	•						
Electric hold-open device							•	•	•	•		
Electrical hold-open device for freeswing											•	•
Integrated smoke switch control unit								•	•			•
Integrated mechanical closing sequence control												

• = yes

* = up to EN4 / 1100 mm with standard closer and up to EN5 / 1250 mm with ECLine closer

¹⁾ Model TS 5000 S with delayed closing action

²⁾ Model TS 3000 V BC

³⁾ Can be retrofitted, not on F and S doors

⁴⁾ Special model

⁵⁾ System solution consisting of 2 overhead door closers TS 5000 (L) and suitable ISM, E-ISM or R-ISM guide rail for mounting on hinge side or opposite hinge side (version BG)

⁶⁾ Freeswing function on active leaf, system solution consisting of 1 overhead door closer TS 5000 E-HY on the active leaf and 1 overhead door closer TS 5000 on the fixed leaf

⁷⁾ Maximum door leaf width of the active leaf

GEZE OVERHEAD DOOR CLOSERS WITH GUIDE RAIL

For double-leaf doors

	TS 5000 ISM ⁵⁾	TS 5000 L-ISM ⁵⁾	TS 5000 L-ISM VPK ⁵⁾	TS 5000 ISM-EFS ⁶⁾	TS 5000 E-ISM ⁵⁾	TS 5000 L-E-ISM ⁵⁾	TS 5000 L-E-ISM VPK ⁵⁾	TS 5000 R-ISM ⁵⁾	TS 5000 L-R-ISM ⁵⁾	TS 5000 L-R-ISM VP ⁵⁾	TS 5000 R-ISM-EFS ⁶⁾
Approval for fire and smoke protection doors	•	•	•	•	•	•	•	•	•	•	•
Barrier-free in accordance with DIN 18040 up to leaf width (max.) in mm	EN4/1100 EN5/1250*	EN4/1100 EN5/1250*	EN4 1100	FSA FL	FSA	FSA	FSA	FSA	FSA	FSA	FSA FL
Closing force in accordance with EN 1154	2-6	2-6	2-6	2-5/2-6	2-6	2-6	2-6	2-6	2-6	2-6	2-5/2-6
Max. door leaf width (mm)	1400	1400	1400	1250 ⁷⁾	1400	1400	1400	1400	1400	1400	1250 ⁷⁾
Mounting options											
Door leaf installation, hinge side	•			•	•			•			•
Transom installation, hinge side											
Opening angle (max.) hinge side ⁸⁾	180°	8)	8)	180°	180°	8)	8)	180°	8)	8)	180°
Door leaf installation, opposite hinge side		•	•			•	•		•	•	
Transom installation, opposite hinge side											
Functions											
Adjustable closing force	•	•	•	•	•	•	•	•	•	•	•
Adjustable back check	•	•	•		•	•	•	•	•	•	
Adjustable hydraulic latching action	•	•	•	•	•	•	•	•	•	•	•
Adjustable delayed closing action											
Adjustable closing speed	•	•	•	•	•	•	•	•	•	•	•
Integrated opening support											
Opening support can be switched off											
Flexible opening restrictor	•	•	•	•	•	•	•	•	•	• ¹¹⁾	•
Mechanical hold-open device ³⁾	•	•	•								
Electric hold-open device					•	•	•	•	•	•	
Electrical hold-open device for freeswing				•							•
Integrated smoke switch control unit								•	•	•	•
Integrated mechanical closing sequence control	•	•	•	•	•	•	•	•	•	•	•

⁸⁾ Opening angle (max.) opposite hinge side, see chapter: General product information about GEZE overhead door closers

⁹⁾ For fire protection doors with corresponding proof of suitability

¹⁰⁾ Only for door leaf installation

¹¹⁾ Only for restricted use

¹²⁾ Back check in transom installation opposite hinge side not effective

¹³⁾ Valid for Germany. Specifications for other countries can be different and will therefore have to be compared to the local requirements. Please contact your local GEZE subsidiary/representative.

FSA = Hold-open system

FSA FL = Hold-open system freeswing

i.E. = In development

GEZE OVERHEAD DOOR CLOSERS WITH LINK ARM

GEZE Overhead door closers with link arm

Brief description of the variants

For single-leaf doors

From the smallest overhead door closer to numerous variations for use with fire and smoke-proof doors: The door closer range with link arm offers versatile combination options. These have a variably adjustable closing force and are suitable for right and left single-action doors without conversion being necessary.



TS 1000 C: Door closer with adjustable closing speed up to 950 mm leaf width

With the overhead door closer TS 1000 C, the closing speed and end stop can be adjusted. The variable closing force in two sizes is set by simply turning the bearing block for the link arm around.



TS 1500: Door closer with adjustable closing speed up to 1100 mm leaf width

With the overhead door closer TS 1500, the closing speed and end stop can be adjusted. The variable closing force in two sizes is set by simply turning the bearing block for the link arm around. It is optionally available with a mounting plate and is suitable for both right and left single-action doors without conversion.



TS 2000 NV: Door closer with variable closing force up to 1100 mm leaf width

With the overhead door closer TS 2000 NV with infinitely variable closing force in accordance with DIN EN 1154 in sizes 2-4, the closing speed can conveniently be set from the front. The end stop setting is made from the front using a valve.



TS 2000 V: Door closer with variable closing force up to 1250 mm leaf width

With the TS 2000 V overhead door closer with variable closing force in accordance with DIN EN 1154 in sizes 2/4/5, the closing speed can conveniently be set from the front. The end stop setting is made using the link arm.



TS 4000: Door closer with back check

With the overhead door closer TS 4000, the closing force is set from the front. The back check and the thermo-stabilised closing speed with large optical size indicator can also be set from the front.



TS 4000 E: Door closer with electric hold-open device

This overhead door closer TS 4000 E with electric hold-open device is authorised for installation on fire and smoke-proof doors in combination with an external smoke switch control unit. In the event of fire or a power failure, the hold-open function is released and the door closes safely. The closing force and the thermo-stabilised closing speed with large optical size indicator can easily be set from the front.

GEZE OVERHEAD DOOR CLOSERS WITH LINK ARM

**TS 4000 R: Door closer with an integrated smoke switch**

This overhead door closer with electric hold-open device and a smoke switch control unit integrated in the closer housing has been approved for installation on fire and smoke-proof doors. In the event of a fire, the smoke detector triggers and the door closes automatically. When used on double-leaf doors, the TS 4000 R must be installed on the moving leaf.

**TS 4000 EFS: Door closer with hold-open device and freeswing arm**

The TS 4000 EFS overhead door closer is fitted with the freeswing function. This enables people to go through the door by applying reduced physical force in the opening or closing direction once the door has been opened. When combined with an external smoke switch control unit the electric freeswing function is released and the door closes automatically and safely in the event of a fire.

**TS 4000 RFS: Door closer with freeswing arm and smoke switch control unit**

The TS 4000 RFS overhead door closer is equipped with an integrated smoke switch control unit and freeswing function. This enables people to go through the door by applying reduced physical force in the opening or closing direction – e.g. in homes for the elderly or hospitals – after the door has been opened once, i.e. in the morning. The electric freeswing function is released by the integrated smoke switch control unit and closes the door automatically and safely in the event of a fire.

**TS 4000 Tandem: Door closer for very large and heavy doors**

The TS 4000 Tandem is a combination comprising the TS 4000 EN 5-7 and the TS 4000 EN 1-6 door closers. The door closers are mounted on an adapter plate with joint axis. Suitable for leaf widths > 1600 mm with closing force > EN7.

For double-leaf doors

The double-leaf door closer systems of the IS series with integrated hydraulic closing sequence control are approved for installation on fire and smoke-proof doors. The integrated closing sequence control with protection against intentional damage ensures the correct closing sequence of both doors for double-leaf doors. When the door is closed, the active leaf remains in waiting position until the fixed leaf is closed and releases the active leaf via the closing sequence control. The closing force according to EN 1154 with optical size indicator and closing speed can be set from the front. The end stop setting is made using the link arm.

**TS 4000 IS: Door closer with integrated closing sequence control**

The TS 4000 IS overhead door closer system with integrated hydraulic closing sequence control has been approved for installation on fire and smoke-proof doors. Closing force in accordance with EN 1154 size 1-6 with optical size indicator and closing speed are set from the front.

**TS 4000 E-IS: Door closer with integrated closing sequence control and electric hold-open device**

The TS 4000 E-IS overhead door closer system with integrated hydraulic closing sequence control and electric hold-open device has been approved for installation on fire and smoke-proof doors. The electric hold-open device can be set infinitely variable from 80° to 175° in accordance with EN 1155. The closing force in accordance with EN 1154 size 1-6 with optical size indicator and closing speed can be adjusted from the front.

**TS 4000 R-IS: Door closer with closing sequence control, hold-open device and smoke switch control unit**

The TS 4000 R-IS overhead door closer system with electric hold-open device and integrated smoke switch control unit has been approved for installation on fire and smoke-proof doors. In the event of a fire, the smoke detector triggers and the door closes automatically. The electric hold-open device can be set infinitely variable from 80° to 175° in accordance with EN 1155. The closing force in accordance with EN 1154 size 1-6 with optical size indicator and closing speed can be adjusted from the front.

GEZE OVERHEAD DOOR CLOSERS WITH LINK ARM

Overview table for GEZE system TS 2000 / TS 4000

For single-leaf doors

	TS 1000 C	TS 1500	TS 2000 NV	TS 2000 V	TS 4000 size 1-6	TS 4000 size 5-7	TS 4000 E	TS 4000 R	TS 4000 EFS	TS 4000 RFS	TS 4000 Tandem
Approval for fire and smoke protection doors ⁹⁾			•		•	•	•	•	•	•	•
Barrier-free accessibility in accordance with DIN 18040 up to leaf width (max.) in mm	EN3 950	EN4 1100	EN4 1100	EN4 1100	EN4 1100		FSA	FSA	FSA FL	FSA FL	
Closing force acc. to EN 1154	2/3	3/4	2-4	2/4/5	1-6	5-7	1-6	1-6	1-6	1-6	> 7
Door leaf width (max.) in mm	950	1100	1100	1250	1400	1600	1400	1400	1400	1400	>1600
Application possibilities											
Door leaf installation, hinge side	•	•	•	•	•	•	•		•		•
Transom installation, hinge side							• ⁶⁾	• ⁶⁾		• ⁶⁾	
Opening angle (max.) hinge side ⁸⁾	180°	180°	180°	180°	180°	180°	180°	180°	180°	180°	180°
Door leaf installation, opposite hinge side			• ⁷⁾	• ⁷⁾	• ⁷⁾	• ⁷⁾					• ⁷⁾
Transom installation, opposite hinge side	•	•	•	•	•	•	•	•	•	•	•
Functions											
Adjustable closing force	•	•	•	•	•	•	•	•	•	•	•
Adjustable back check			• ²⁾	• ²⁾	•	•					•
Adjustable hydraulic latching action	•	•	•	•	•	•	•	•	•	•	•
Adjustable delayed closing action					• ¹⁾						
Adjustable closing speed	•	•	•	•	•	•	•	•	•	•	•
Mechanical hold-open device ³⁾	•	•	•	•	•	• ⁴⁾					
Electric hold-open device							•	•			
Electric hold-open device for freeswing									•	•	
Integrated smoke switch control unit								•		•	
Integrated closing sequence control											

• = yes

¹⁾ Model TS 4000 S with delayed closing action

²⁾ Model TS 2000 NV BC/TS 2000 V BC

³⁾ Not for F and RD doors

⁴⁾ Hold-open linkage only effective up to EN6

⁵⁾ System solution comprising a TS 4000 IS/ E-IS/ R-IS on the active leaf in combination with a TS 4000/E/R-IS second unit on the fixed leaf and release mechanism in the frame

⁶⁾ Only with guide rail, closing force EN3, no DIBt approval

⁷⁾ In parallel arm installation

⁸⁾ Opening angle (max.) opposite hinge side, see chapter: Further information for overhead door closers

⁹⁾ Valid for Germany. Specifications for other countries can be different and will therefore have to be compared to the local requirements. Please contact your local GEZE subsidiary/representative.

FSA = Hold-open system

FSA FL = Freeswing locking system

GEZE OVERHEAD DOOR CLOSERS WITH LINK ARM

For double-leaf doors

	TS 4000 IS ⁵⁾	TS 4000 E-IS ⁵⁾	TS 4000 R-IS ⁵⁾
Approval for fire and smoke protection doors ⁹⁾	•	•	•
Barrier-free accessibility in accordance with DIN 18040 up to leaf width (max.) in mm	EN4 1100	FSA	FSA
Closing force acc. to EN 1154	1-6	1-6	1-6
Door leaf width (max.) in mm	1400	1400	1400

Application possibilities

Door leaf installation, hinge side	•	•	
Transom installation, hinge side			
Opening angle (max.) hinge side ⁸⁾	180°	180°	- ⁸⁾
Door leaf installation, opposite hinge side			
Transom installation, opposite hinge side	•	•	•

Functions

Adjustable closing force	•	•	•
Adjustable back check			
Hydraulic latching action	•	•	•
Adjustable delayed closing action			
Adjustable closing speed	•	•	•
Mechanical hold-open device ³⁾	•		
Electric hold-open device		•	•
Electric hold-open device for freeswing			
Integrated smoke switch control unit			•
Integrated closing sequence control	•	•	•

GEZE OVERHEAD DOOR CLOSERS

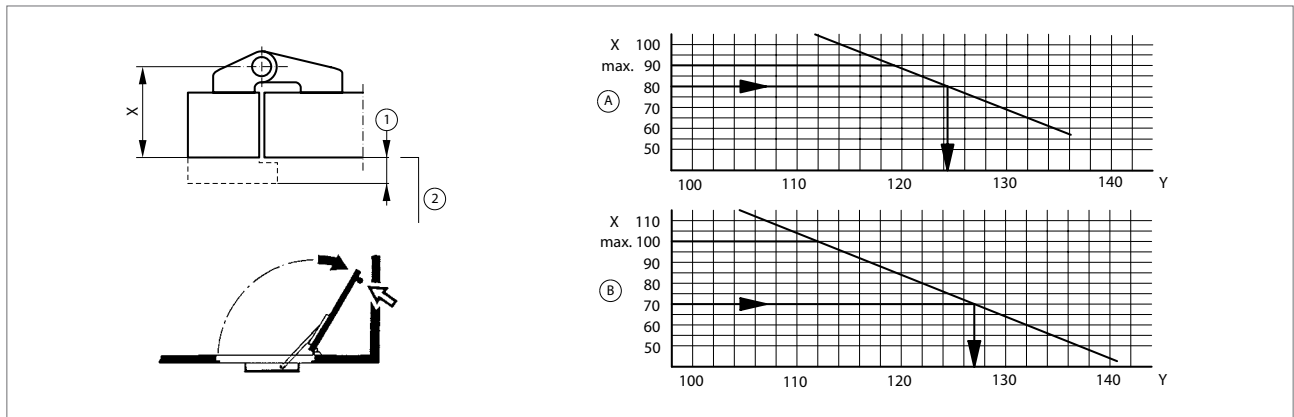
General product information about GEZE overhead door closers

Door closer sizes

acc. to EN 1154	Door leaf width in mm
Thickness 1	up to 750
Thickness 2	from 750 to 850
Thickness 3	from 850 to 950
Thickness 4	from 950 to 1100
Thickness 5	from 1100 to 1250
Thickness 6	from 1250 to 1400
Thickness 7	from 1400 to 1600

Notes for door closers with guide rail for installation on the opposite hinge side

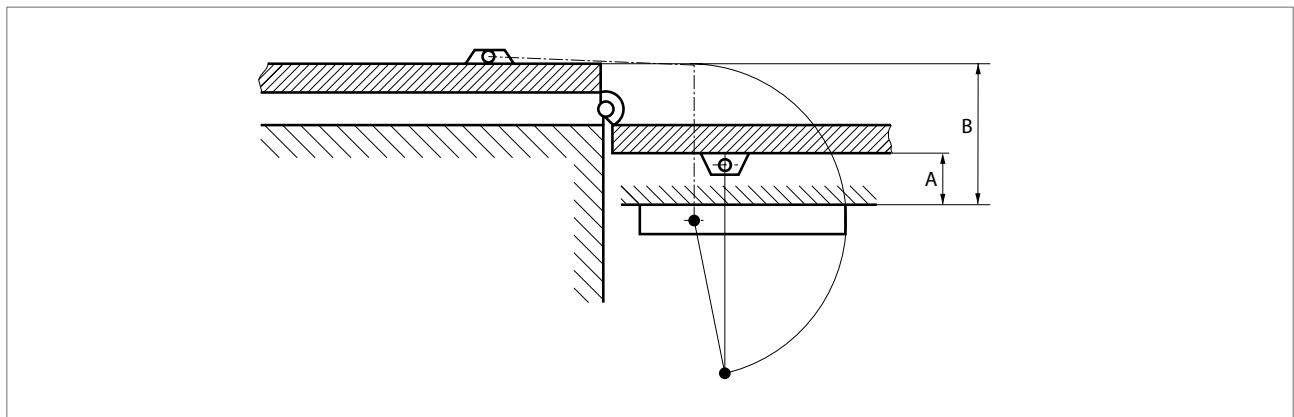
Note: The max. door opening angle must be limited by a door stopper or by use of the GEZE T-Stop guide rail!



- 1 = Overlap max. 15 mm
- 2 = Flush-mount door
- X = Distance pivot point to contact area of guide rail
X dimension max. = 100 mm
- A = Single-leaf systems
- B = Double-leaf systems
- Y = Door opening angle

Special mounting dimensions are used when the X-dimension is wider – on request.

Notes for door closers with link arm for installation on the opposite hinge side



- A = Soffit depth
 - B = Soffit depth + 2 door thickness + 2 pivot point distance
- Door opening up to 180° is only possible if the following dimensions are not exceeded:
A = 70 mm and B = 200 mm

GEZE Integrated door closers - Boxer series

Brief description of the variants

For single-leaf doors

The integrated Boxer door closer is installed completely in the door leaf and frame. The guide rail can only be seen when the door is open. The closing force is in accordance with DIN EN 1154, the closing speed, the hydraulic end stop and the hydraulic back check can be adjusted conveniently from above when installed. For fire protection doors an additional suitability certificate is required with the door. The door opening angle must be limited to approx. 120°.



Boxer: Integrated door closer for 1-leaf doors

The integrated Boxer door closer for single-leaf doors in the versions EN 2-4 and EN 3-6 can be used for left and right single-action doors without conversion. The variant EN 2-4 2V additionally has an independent valve control for regulating the latching action speed. Thus, the door speed cannot only be increased, but the door can also be stopped within an opening angle of 10° and less.



Boxer E: Integrated door closer with electric hold-open device

The integrated door closer Boxer with electric hold-open device in the guide rail is suitable for single-leaf doors. The E-guide rail with electric hold-open device has been tested to EN 1155. The retention force of the hold-open device can be infinitely variable adjusted, the hold-open position can be set to between approx. 80° and 120°. The hold-open position can be overridden, i.e. the door can be opened wider if necessary.



Boxer EFS: Integrated door closer with electric freeswing function

The integrated door closer Boxer EFS EN4 allows barrier-free passage of single-leaf doors thanks to its freeswing function. This enables people to go through the door by applying reduced physical force in the opening or closing direction – e.g. in homes for the elderly or hospitals – after the door has been opened once, for example in the morning. The door closer can be used for right and left single-action doors without conversion.



Boxer P: Integrated door closer for double-action doors

The integrated door closer Boxer 2-4 with double-action guide rail is suitable for use on lightweight double-action doors with low access frequency.

GEZE INTEGRATED DOOR CLOSERS

For double-leaf doors

The Boxer ISM system is designed for double-leaf doors and has an integrated mechanical closing sequence control. This ensures that the active leaf always closes after the fixed leaf. When closing the active leaf whilst both leaves are open, it remains in waiting position until the fixed leaf is closed and releases the active leaf via the closing sequence control. The system can be used for active leaf types DIN left or right without conversion. In addition, the closing sequence control of the ISM rail is extremely resistant to vandalism, i.e. the system is not damaged even if the active leaf is pushed intentionally to close out of the waiting position. The ISM guide rail is only visible when opening the door.



Boxer ISM: Door closer with integrated closing sequence control

The system GEZE Boxer ISM for double-leaf doors is made up of the Boxer 2-4 or Boxer 3-6 in the door leaves and the ISM guide rail with integrated mechanical closing sequence control in accordance with EN 1158 in the door frame.



Boxer E-ISM: Door closer with electric hold-open device

The system GEZE Boxer E-ISM for double-leaf doors is made up of the Boxer 2-4 or Boxer 3-6 in the door leaves and the E-ISM guide rail in the door frame. The guide rail is fitted with an integrated closing sequence control in accordance with EN 1158 and electric hold-open device on both sides in accordance with EN 1155. The retention force of the hold-open devices can be adjusted infinitely variable, the hold-open position can be adjusted to between approx. 80° and 120°. The hold-open position can be overridden, i.e. the door can be opened wider if necessary.



Boxer ISM-EFS: Integrated door closer with freeswing function

The system GEZE Boxer ISM-EFS for double-leaf doors is made up of the Boxer EFS with freeswing function on the active leaf, a Boxer 2-4 on the fixed leaf and the ISM guide rail with integrated closing sequence control in accordance with EN 1158 in the door frame. The freeswing function enables people to go through the active leaf by applying reduced of physical force in the opening or closing direction – e.g. in homes for the elderly or hospitals – after the door has been opened once, for example in the morning.

GEZE INTEGRATED DOOR CLOSERS

Overview table for the GEZE Boxer series

	For single-leaf doors						For double-leaf doors		
	Boxer size 2-4 / 2-4 2V	Boxer size 3-6	Boxer E size 2-4	Boxer E size 3-6	Boxer EFS	Boxer P	Boxer ISM	Boxer E-ISM	Boxer ISM-EFS
Approval for fire and smoke-proof doors ¹⁾	•	•	•	•	•	•	•	•	•
Barrier-free accessibility in accordance with DIN 18040 up to leaf width (max.) in mm	EN4 1100	EN4 1100	FSA	FSA	FSA FL	EN4 1100	EN4 1100	FSA	FSA FL
Closing force acc. to EN 1154	2-4	3-6	2-4	3-6	4	2-4	2-4/3-6	2-4/3-6	4/2-4
Door leaf width (max.) in mm	1100	1400	1100	1400	1100	1100	1100/1400	1100/1400	1100/1100
Leaf weight (max.) in kg	130	180	130	180	130	80	130/180	130/180	130
Application possibilities									
Closer body integrated in the door leaf	•	•	•	•	•	•	•	•	•
Guide rail integrated in the door frame	•	•	•	•	•	•	•	•	•
Opening angle (max.)	120°	120°	120°	120°	120°	120°	120°	120°	120°
Functions									
Closing force, adjustable	•	•	•	•		•	•	•	• ³⁾
Back check, adjustable	•	•	•	•	•	•	•	•	•
End stop, adjustable	•	•	•	•	•	•	•	•	•
Closing speed, adjustable	•	•	•	•	•	•	•	•	•
Mechanical hold-open ²⁾	•	•				•	•		
Electric hold-open			•	•				•	
Electric locking for freeswing					•				•
Mechanical closing sequence control, integrated							•	•	•

• = yes

¹⁾ For fire and smoke-proof doors additional proof of suitability is required for the door.

²⁾ Can be retrofitted, not to fire and smoke-proof doors

³⁾ Closing force can only be adjusted on the fixed leaf

FSA = Hold-open system

FSA FL = Freeswing locking system

GEZE Floor springs

Brief description of the variants

For single-leaf doors

GEZE floor springs can be used to close single and double-action doors made of different materials in a reliable manner whilst remaining optically noteless. The product range includes systems for light and heavy leaf weights as well as door closers for use on fire and smoke-proof doors.



TS 500 NV / TS 500 N EN 3: Floor springs for doors up to 1100 mm

The TS 500 NV and TS 500 N EN 3 versions are two floor springs for use with doors with a maximum leaf width of 1100 mm available. The very low overall height of just 42 mm is a welcome benefit for both new constructions and renovation projects.



TS 550 NV: Floor spring for frequently used and heavy doors

The TS 550 NV has been specifically further developed and is used for heavy single-leaf single-action and double-action doors. Its versatility and sturdiness make the TS 550 NV ideal for use in highly frequented areas.



TS 550 NV F: Floor spring for fire and smoke-proof doors

The TS 550 NV F was developed for subtle installation on heavy-duty fire and smoke-proof doors. The low installation height of only 54 mm makes it easy to fit, even to existing doors. The closing speed and hydraulic end stop can be regulated. The integrated fixed back check prevents uncontrolled opening of the door. The closing force can be infinitely variable adjusted from above. The safety valve provides protection against intentional overload.



TS 550 NV E: Floor spring with electric hold-open device

The TS 550 NV E has been tested to DIN EN 1155 and can be held open in any position between 75° and 160° due to the electric hold-open device. This allows the door to be held open for any length of time. The closing speed and hydraulic end stop can be regulated. The closing force can be infinitely variable adjusted from above. A safety valve helps to prevent intentional overloading. The closer is authorised for use with renowned smoke detector systems by DIBt (the German institute for construction technology).

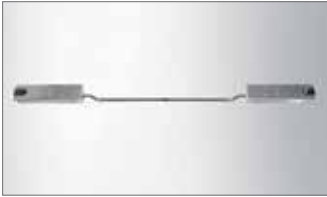


TS 550 E-G / TS 550 F-G: Floor springs with lever and guide rail

These versions with lever and guide rail can be used for doors with carrying hinges. For both versions, the non-protruding spindle in conjunction with an extremely flat lever enables an opening angle of 180° with a floor clearance of 9 mm. A safety valve helps prevent intentional overloading. The electric hold-open device in accordance with DIN EN 1155 permits the TS 550 E-G to be held in any position between 80° and 150°.

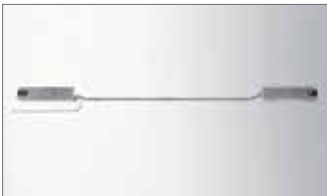
For double-leaf doors

GEZE floor springs can be used to close single-action doors made of different materials in a reliable manner whilst remaining optical noteless. The floor springs for double-leaf doors are equipped with integrated closing sequence control according to EN 1158 or with additional electric hold-open device.



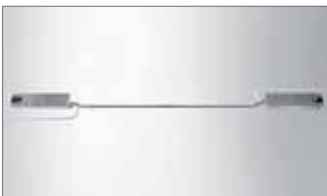
TS 550 IS: Floor spring with integrated closing sequence control

The TS 550 IS is used on double-leaf doors. A safety valve helps prevent intentional overloading. TS 550 IS is also suitable for leaves with unequal widths.



TS 550 E-IS: Floor spring with electric hold-open device

The electric hold-open device of the TS 550 E-IS allows double-leaf doors to be held open independently of one another at any angle between 80° and 175°. The closing speed and hydraulic end stop can be adjusted. The closing force can be infinitely variable regulated from above. A safety valve helps prevent intentional overloading. The closer is authorised for use with renowned smoke detector systems, and tested and certified by DIBt (the German institute for construction technology).



TS 550 IS-G / TS 550 E-IS-G: Floor springs with lever and guide rail

These floor spring versions with lever and guide rail can be used for double-leaf doors with carrying hinges. The non-protruding spindle in conjunction with an extremely flat lever enables an opening angle of 180° with a floor clearance of 9 mm. A safety valve helps prevent intentional overloading. The electric hold-open device in accordance with DIN EN 1155 permits the TS 550 E-IS-G to be held in any position between 80° and 150°.

GEZE FLOOR SPRINGS

Overview table for GEZE floor springs

For single-leaf doors

	TS 500 NV	TS 500 N EN 3	TS 550 NV	TS 550 NV F	TS 550 NVE	TS 550 F-G	TS 550 E-G
Approval for fire and smoke-proof doors ¹⁾				•	•	•	•
Barrier-free accessibility in accordance with DIN 18040 up to leaf width (max.) in mm	EN4 1100	EN3 950	EN4 1100	EN4 1100	FSA	EN4 1100	FSA
Closing force acc. to EN 1154	1-4	3	3-6	3-6	3-6	3-6	3-6
Max. door leaf width (mm)	1100	950	1400	1400	1400	1400	1400
Leaf weight (max.) in kg	150	100	300	300	300		
Application possibilities							
Single-action doors (right/left)	•	•	•	•	•	•	•
Opening angle (max.)	170°	170°	170°	180°	180°	180°	180°
Double-action doors	•	•	•				
Functions							
Closing force, adjustable	•		•	•	•	•	•
Back check, fixed	•	•	•	•	•		
Hydraulic latching action	•		•	•	•	•	•
Closing speed, adjustable	•	•	•	•	•	•	•
Mechanical hold-open	•	•	•				
Electric hold-open					•		•
Mechanical closing sequence control, integrated							
Hold-open angle	optional 85° 90° 105° 120°	optional 85° 90° 105° 120°	85° up to 165°		75° up to 160°		80° up to 150°

• = yes

¹⁾ Valid for Germany. Specifications for other countries can be different and will therefore have to be compared to the local requirements. Please contact your local GEZE subsidiary/representative.

FSA = Hold-open system

For double-leaf doors

	TS 550 IS	TS 550 E-IS	TS 550 IS-G	TS 550 E-IS-G
Approval for fire and smoke-proof doors ¹⁾	•	•	•	•
Barrier-free accessibility in accordance with DIN 18040 up to leaf width (max.) in mm	EN4 1100	FSA	EN4 1100	FSA
Closing force acc. to EN 1154	3-6	3-6	3-6	3-6
Max. door leaf width (mm)	1400	1400	1400	1400
Leaf weight (max.) in kg	250	250		
Application possibilities				
Single-action doors (right/left)	•	•	•	•
Opening angle (max.)	180°	180°	180°	180°
Double-action doors				
Functions				
Closing force, adjustable	•	•	•	•
Back check, fixed	•	•		
Hydraulic latching action	•	•	•	•
Closing speed, adjustable	•	•	•	•
Mechanical hold-open				
Electric hold-open		•		•
Mechanical closing sequence control, integrated	•	•	•	•
Hold-open angle		80° up to 175°		80° up to 150°

GEZE OVERHEAD DOOR CLOSERS WITH GUIDE RAIL

Reference photos

GEZE Overhead door closers with guide rail



BMW Welt, Munich, Germany (Photo: Robert Sprang)



Textile and Industry Museum, Augsburg, Germany (Photo: Dirk Wilhelmy)

GEZE OVERHEAD DOOR CLOSERS WITH GUIDE RAIL



Vocational school, Friedrichshafen, Germany (Photo: Dirk Wilhelmy)



Augustinum retirement home, Stuttgart, Germany (Photo: Dirk Wilhelmy)

GEZE OVERHEAD DOOR CLOSERS WITH LINK ARM

Reference photos

GEZE Overhead door closers with link arm



Mövenpick Hotel, Stuttgart Airport, Germany (Photo: Nikolas Grünwald)



Sports hall, Zadar, Croatia (Photo: Robert Les)

GEZE OVERHEAD DOOR CLOSERS WITH LINK ARM



Sports Hall, Zadar, Croatia (Photo: Robert Les)



Sparkasse, Ulm, Germany (Photo: Nikolas Grünwald)

GEZE INTEGRATED DOOR CLOSERS

Reference photos

GEZE Integrated door closers - Boxer series



Court building in Gent, Belgium (Photo: Erwin Kamphuis)



Kreissparkasse, Ludwigsburg, Germany (Photo: Lazaros Filoglou)

GEZE INTEGRATED DOOR CLOSERS



Vitra Haus, Weil am Rhein, Germany (Photo: Oliver Look)



Andels Hotel, Berlin, Germany (Photo: Stefan Dauth)

Reference photos

GEZE Floor springs



Vector company building, Stuttgart, Germany (Photo: Dirk Wilhelmy)



GEZE GmbH, Leonberg, Germany (Photo: Nikolaus Grünwald)



Augustinum, Stuttgart, Germany (Photo: Dirk Wilhelmy)



Glas Trösch, Kempten, Germany (Photo: Nikolaus Grünwald)

You will find more product information in the relevant brochures, see ID numbers.

Door technology

01	Overhead door closers ID 091593, ID 091594
02	Hold-open systems ID 091593, ID 091594
03	Integrated door closers ID 091609
04	Floor springs ID 091607
05	Sliding door gear systems and linear guides ID 123605, ID 008770, ID 000586

Automatic door systems

06	Swing doors ID 144785
07	Sliding, telescopic and folding doors ID 143639
08	Circular and semi-circular sliding doors ID 135772
09	Revolving doors ID 132050
10	Actuation devices and sensors ID 142655

Smoke and heat extraction and window technology

11	Fanlight opening systems ID 127787
12	Electric opening and locking systems ID 154851
13	Electrical spindle and linear drives ID 154851
14	Electric chain drives ID 154851
15	Smoke and heat extraction systems ID 154851

Safety technology

16	Emergency exit systems ID 132408
17	Access control systems ID 132158
18	Panic locks ID 132848
19	Electric strikes ID 148666
20	Building management system ID 132408

Glass systems

21	Manual sliding wall systems (MSW) ID 104377
22	Integrated all-glass systems (IGG) ID 104366
23	GEZE Patch fittings mono glass systems ID 122521



POSSIBLE AREAS OF APPLICATION FOR GEZE PRODUCTS



Door technology

The functionality, superior performance and reliability of GEZE door closers are impressive. A common design across the range, the ability to use them on all common door leaf widths and weights, and the fact that they can be individually adjusted makes their selection simple. They are continually being improved and enhanced with up-to-date features. For example, the requirements of fire protection and accessibility are fulfilled with a door closer system.

Automatic door systems

GEZE automatic door systems open up a huge variety of options in door design. The latest, innovative high-performance drive technology, safety, ease of accessibility and first class universal drive design set them apart. GEZE offers complete solutions for individual requirements. A dedicated division is responsible for the development and construction of individual special designs.

Smoke and heat extraction and window technology

GEZE smoke and heat extraction systems and ventilation technology provide complete systems solutions combining the many requirements of different types of windows. We supply a full range from energy efficient drive systems to natural ventilation and complete solutions for supplying and extracting air, also as certified SHEVs.

Safety technology

GEZE safety technology sets the standards where preventative fire protection, access control and anti-theft security in emergency exits are concerned. For each of these objectives GEZE offers tailored solutions, which combine the individual safety requirements in one intelligent system and close doors and windows in case of danger in a coordinated manner.

Building systems

In GEZE's Building Management System GEZE door, window and safety products can be integrated in to the security and control systems of the building. A central control and visualisation system monitors various automation components in the building and offers security through many different networking capabilities.

Glass systems

GEZE glass systems stand for open and transparent interior design. They can either blend discreetly into the architecture of the building or stand out as an accentuated feature. GEZE offers a wide variety of technologies for functional, reliable and aesthetic sliding wall or sliding door systems providing security with lots of design scope.

GEZE GmbH
P.O. Box 1363
71226 Leonberg
Germany

GEZE GmbH
Reinhold-Vöster-Straße 21-29
71229 Leonberg
Germany
Telefon +49 (0) 7152-203-0
Telefax +49 (0) 7152-203-310
www.geze.com

Germany
 GEZE Sonderkonstruktionen GmbH
 Planken 1
 97944 Boxberg-Schweigern
 Tel. +49 (0) 7930-92 94-0
 Fax +49 (0) 7930-92 94-10
 sk.de@geze.com

GEZE GmbH
 Niederlassung Süd-West
 Breitwiesenstraße 8
 71229 Leonberg
 Tel. +49 (0) 7152-203-594
 Fax +49 (0) 7152-203-438
 leonberg.de@geze.com

GEZE GmbH
 Niederlassung Süd-Ost
 Parkring 17
 85748 Garching bei München
 Tel.: +49 (0) 89-120 07 42-50
 Fax.: +49 (0) 7152-203-77050
 garching.de@geze.com

GEZE GmbH
 Niederlassung Ost
 Böhrlingstraße 8
 13086 Berlin (Weissensee)
 Tel. +49 (0) 30-47 89 90-0
 Fax +49 (0) 30-47 89 90-17
 berlin.de@geze.com

GEZE GmbH
 Niederlassung Mitte/Luxemburg
 Adenauerallee 2
 61440 Oberursel (b. Frankfurt)
 Tel. +49 (0) 6171-63 610-0
 Fax +49 (0) 6171-63 610-1
 frankfurt.de@geze.com

GEZE GmbH
 Niederlassung West
 Nordsternstraße 65
 45329 Essen
 Tel. +49 (0) 201-83 082-0
 Fax +49 (0) 201-83 082-20
 essen.de@geze.com

GEZE GmbH
 Niederlassung Nord
 Haus 11, 1. OG - Theodorstr. 42-90
 22761 Hamburg-Bahrenfeld
 Tel. +49 (0) 40-2 19 07 16-27
 Fax +49 (0) 40-2 19 07 16-28
 hamburg.de@geze.com

GEZE Service GmbH
 Niederlassung Süd-West
 Reinhold-Vöster-Straße 25
 71229 Leonberg
 Tel. +49 (0) 1802-923392
 Fax +49 (0) 7152-92 33 63
 service-leonberg.de@geze.com

GEZE Service GmbH
 Niederlassung Süd
 Parkring 17
 85748 Garching bei München
 Tel. +49 (0) 1802-923392
 Fax +49 (0) 89-120 07 42-60
 service-muenchen.de@geze.com

GEZE Service GmbH
 Niederlassung Mitte
 Oberurseler Str. 69
 61440 Oberursel
 Tel. +49 (0) 1802-923392
 Fax +49 (0) 6171-63 327-19
 service-oberursel.de@geze.com

GEZE Service GmbH
 Niederlassung West
 Nordsternstraße 65
 45329 Essen
 Tel. +49 (0) 1802-923392
 Fax +49 (0) 201-8 30 82-25
 service-essen.de@geze.com

GEZE Service GmbH
 Niederlassung Nord-Ost
 Böhrlingstraße 8
 13086 Berlin (Weissensee)
 Tel. +49 (0) 1802-923392
 Fax +49 (0) 30-47021733
 service-berlin.de@geze.com

GEZE Service GmbH
 Niederlassung Nord
 Theodorstr. 42-90, Haus 11
 22761 Hamburg
 Tel. +49 (0) 1802-923392
 Fax +49 (0) 40-219 07 16-19
 service-hamburg.de@geze.com

Austria
 GEZE Austria
 Wiener Bundesstrasse 85
 A-5300 Hallwang
 Tel: +43/6225/87180
 Fax: +43/6225/87180-299
 austria.at@geze.com

Baltic States
 GEZE GmbH Baltic States office
 Dzelzavas iela 120 5
 1021 Riga
 Tel. +371 (0) 67 89 60 35
 Fax +371 (0) 67 89 60 36
 office-latvia@geze.com

Benelux
 GEZE Benelux B.V.
 Industrieterrein Kapelbeemd
 Steenoven 36
 5626 DK Eindhoven
 Tel. +31 (0) 40-26 290-80
 Fax +31 (0) 40-26 290-85
 benelux.nl@geze.com

Bulgaria
 GEZE Bulgaria - Trade
 Representative Office
 Nickolay Haitov 34 str., fl. 1
 1172 Sofia
 Tel. +359 (0) 24 70 43 73
 Fax +359 (0) 24 70 62 62
 office-bulgaria@geze.com

China
 GEZE Industries (Tianjin) Co., Ltd.
 Shuangchenzhong Road
 Beichen Economic Development
 Area (BEDA)
 Tianjin 300400, P.R. China
 Tel. +86 (0) 22-26 97 39 95-0
 Fax +86 (0) 22-26 97 27 02
 chinasales@geze.com.cn

GEZE Industries (Tianjin) Co., Ltd.
 Branch Office Shanghai
 11D, Building 2, Youyou Century
 Plaza
 No. 428, South Yanggao Road
 200127 Pudong, Shanghai, P.R. China
 Tel. +86 (0) 21-523 40 960
 Fax +86 (0) 21-644 72 007
 chinasales@geze.com.cn

GEZE Industries (Tianjin) Co., Ltd.
 Branch Office Guangzhou
 Room 17C3
 Everbright Bank Building, No.689
 Tian He Bei Road
 510630 Guangzhou, P.R. China
 Tel. +86 (0) 20-38 73 18 42
 Fax +86 (0) 20-38 73 18 34
 chinasales@geze.com.cn

GEZE Industries (Tianjin) Co., Ltd
 Branch Office Beijing
 Room 1001, Tower D
 Sanlitun SOHO
 No. 8, Gongti North Road,
 Chaoyang District
 100027 Beijing, P.R.China
 Tel. +86 (0) 10-59 35 93 00
 Fax +86 (0) 10-59 35 93 22
 chinasales@geze.com.cn

France
 GEZE France S.A.R.L.
 ZAC de l'Orme Rond
 RN 19
 77170 Servon
 Tel. +33 (0) 1 60 62 60 70
 Fax +33 (0) 1 60 62 60 71
 france.fr@geze.com

Hungary
 GEZE Hungary Kft.
 Hungary-2051 Biatorbágy
 Vendel Park
 Huber u. 1.
 Tel. +36/23/532-735
 Fax +36/23/532-738
 office-hungary@geze.com

Iberia
 GEZE Iberia S.R.L.
 C/ Andorra 24
 08830 Sant Boi de Llobregat
 (Barcelona)
 Tel. +34 902 194 036
 Fax +34 902 194 035
 info@geze.es

India
 GEZE India Private Ltd.
 MF 2 & 3, Guindy Industrial Estate
 Ekkattuthangal
 Chennai 600 097
 Tamilnadu
 Tel. +91 (0) 44 30 61 69 00
 Fax +91 (0) 44 30 61 69 01
 office-india@geze.com

Italy
 GEZE Italia S.r.l
 Via Giotto, 4
 20040 Cambiago (MI)
 Tel. +39 (0) 29 50 695-11
 Fax +39 (0) 29 50 695-33
 italia.it@geze.com

GEZE Italia S.r.l
 Via Lucrezia Romana, 91
 00178 Roma
 Tel. +39 (0) 6-72 65 311
 Fax +39 (0) 6-72 65 3136
 roma@geze.biz

Poland
 GEZE Polska Sp.z o.o.
 ul. Annapol 21
 03-236 Warszawa
 Tel. +48 224 404 440
 Fax +48 224 404 400
 geze.pl@geze.com

Romania
 GEZE Romania S.R.L.
 IRIDE Business Park,
 Str. Dimitrie Pompeiu nr. 9-9a,
 Building 10, Level 2, Sector 2,
 020335 Bucharest
 Tel.: +40 (0) 21 25 07 750
 Fax: +40 (0) 21 25 07 750
 office-romania@geze.com

Russia
 OOO GEZE RUS
 Gamsonovskiy Per. 2
 115191 Moskau
 Tel. +7 (0) 495 933 06 59
 Fax +7 (0) 495 933 06 74
 office-russia@geze.com

Scandinavia – Sweden
 GEZE Scandinavia AB
 Mallslingan 10
 Box 7060
 18711 Täby, Sweden
 Tel. +46 (0) 8-7323-400
 Fax +46 (0) 8-7323-499
 sverige.se@geze.com

Scandinavia – Norway
 GEZE Scandinavia AB avd. Norge
 Industriveien 34 B
 2073 Dal
 Tel. +47 (0) 639-57 200
 Fax +47 (0) 639-57 173
 norge.se@geze.com

Scandinavia – Finland
 Branch office of GEZE Scandinavia AB
 Herralantie 824
 Postbox 20
 15871 Hollola
 Tel. +358 (0) 10-40 05 100
 Fax +358 (0) 10-40 05 120
 finland.se@geze.com

Scandinavia – Denmark
 GEZE Danmark
 Branch office of GEZE Scandinavia AB
 Märkærvej 13 J-K
 2630 Taastrup
 Tel. +45 (0) 46-32 33 24
 Fax +45 (0) 46-32 33 26
 danmark.se@geze.com

Singapore
 GEZE (Asia Pacific) Pte. Ltd.
 21 Bukit Batok Crescent
 #23-75 Wcega Tower
 Singapore 658065
 Tel: +65 6846 1338
 Fax: +65 6846 9353
 gezesea@geze.com.sg

South Africa
 GEZE Distributors (Pty) Ltd.
 118 Richards Drive, Halfway House,
 Ext 111, P.O. Box 7934, Midrand 1685,
 South Africa
 Tel: + 27 (0) 113 158 286
 Fax: + 27 (0) 113158261
 info@gezesa.co.za

Switzerland
 GEZE Schweiz AG
 Bodenackerstrasse 79
 4657 Dulliken
 Tel. +41 (0) 62 285 54 00
 Fax +41 (0) 62 285 54 01
 schweiz.ch@geze.com

Turkey
 GEZE Kapı ve Pencere Sistemleri
 San. ve Tic. Ltd. Sti.
 İstanbul Anadolu Yakası Organize
 Sanayi Bolgesi
 Gazi Bulvarı Caddesi 8.Sokak No:8
 Tuzla-İstanbul
 Tel. + 90 (0) 216 455 43 15
 Fax + 90 (0) 216 455 82 15
 office-turkey@geze.com

Ukraine
 LLC GEZE Ukraine
 ul. Viskoznaya, 17,
 Building 93-B, Office 12
 02660 Kiev
 Tel./Fax +38 (0) 44 501 22 25
 office-ukraine@geze.com

United Arab Emirates/GCC
 GEZE Middle East
 P.O. Box 17903
 Jebel Ali Free Zone
 Dubai
 Tel. +971 (0) 4-88 33 112
 Fax +971 (0) 4-88 33 240
 geze@emirates.net.ae

United Kingdom
 GEZE UK Ltd.
 Blenheim Way
 Fradley Park
 Lichfield
 Staffordshire WS13 8SY
 Tel. +44 (0) 1543 44 30 00
 Fax +44 (0) 1543 44 30 01
 info.uk@geze.com

GEZE REPRESENTATIVE