



GEZE TS 5000
OVERHEAD DOOR CLOSERS WITH GUIDE RAIL

GEZE TS 5000

Guide rail door closer for 1-leaf doors up to 1400 mm leaf width

The overhead door closer TS 5000 stands for clear lines and numerous system variants. It is approved for 1-leaf right and left single-action doors with larger leaf widths up to 1400 mm and for use on smoke and fire protection doors. The closing force, size 2-6 acc. to EN 1154, the thermally stabilised closing speed, the hydraulic latching action and the back check can all easily be regulated from the front in the installed state. The set closing force can easily be checked due to the visual size indicator.

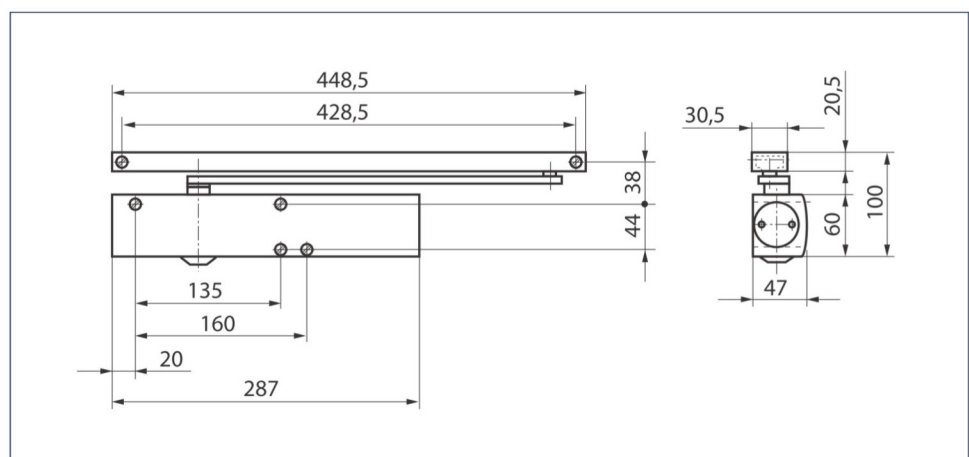
Special versions

- GEZE TS 5000 with mechanical hold-open device, freely adjustable between 80° and 130° (not permissible for use on smoke and fire protection doors)
- GEZE door closer TS 5000 S with delayed closing action adjustable from the front

GEZE TS 5000



GEZE TS 5000



Application range

- For single-action doors, leaf width up to 1400 mm
- Can be used for doors mounted on the right or left without conversion
- For fire protection doors (door closer with mounting plate)

Closer technical data

Product features	GEZE TS 5000 closer	GEZE TS 5000 S closer	GEZE TS 5000 L closer
Closing force in accordance with EN 1154		2 - 6	
Recommended leaf width up to		1400 mm	
Same version for left and right-hand doors	•	•	•
Product tested in accordance with	Door closer tested in accordance with EN 1154		
Fire protection door suitability	•	•	•
Mounting plate with hole pattern in accordance with EN1154 supplement	•	•	•
Length		287 mm	
Overall depth		47 mm	
Height		60 mm	

Functions

Adjustable closing force		Yes, stepless	
Adjustable closing speed	•	•	•
Adjustable latching action		Yes, via valve	
Integrated back check		Yes, hydraulically adjustable	
Integrated delayed closing action	-	•	-
Position of closing force adjustment		Front	
Visual display of the closing force	•	•	•
Safety valve against wilful damage	•	•	•
Thermo-control valves	•	•	•

- = YES
- = OPTIONAL

Guide rail technical data

Product features	Guide rail TS 5000/ TS 3000 vertically adjustable	Guide rail TS 5000/ TS 3000	T-Stop guide rail TS 5000/TS 3000
Length	448.5 mm	448.5 mm	452.5 mm
Overall depth	30.5 mm	30.5 mm	33 mm
Height	20.5 mm	20.5 mm	30 mm

Functions

Integrated opening restrictor	○	○	•
Integrated hold-open device	○	○	○
Opening assistance can be switched off	○	○	○

- = YES
- = OPTIONAL