

boss  
design

# FAIRFAX



---

*Fairfax designed by Boss Design*

*The Fairfax collection has a confident and contemporary aesthetic. Designed in-house, the collection is ideally suited to corporate reception and executive lounge areas.*

# FAIRFAX



*The elegant low back design,  
linear form and deep buttoned,  
tapered seat cushion, delivers  
a refined range with an  
impressive level of comfort.*





*The armchair, 2 and 3 seater sofas demonstrate excellent attention to detail and a superior level of upholstery that would not look out of place in a domestic setting.*

### Fairfax Features

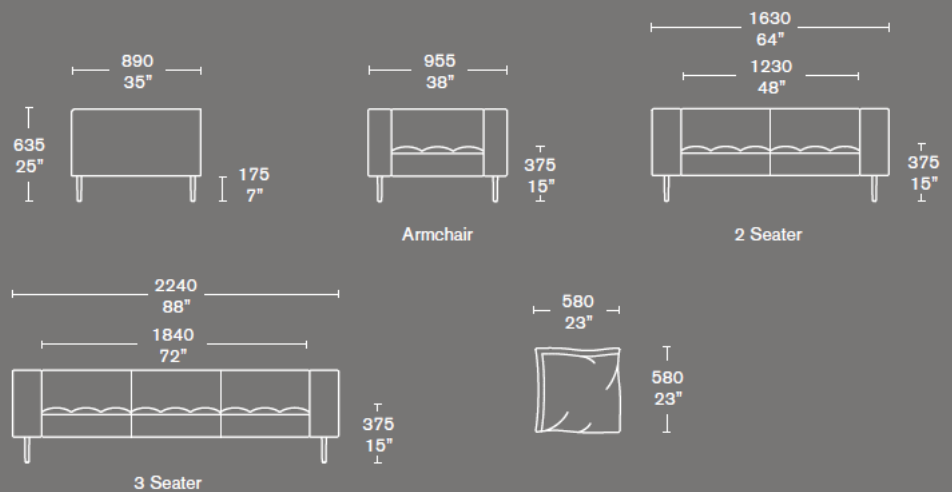
Standard  
Polished aluminium legs  
Multiple density CMHR foam

Options  
Scatter Cushion

### Environmental Statement

At Boss Design we are passionate about caring for our environment. We are holders of the Queen's Award for Enterprise in Sustainable Development, FSC accredited and a carbon neutral company. We purchase raw materials with the highest recycled content. We work with like-minded suppliers who use raw materials and components obtained only from ethical sources.

We constantly review our global logistics operation to ensure that we minimise any negative impact on the environment. We actively monitor the carbon footprint of our products throughout their life-cycle and work closely with the Greenworks organisation to deliver our award winning end-of-life product management process.



### Boss Design Limited

Head Office  
Boss Drive, Dudley, West Midlands  
DY2 8SZ United Kingdom  
T: +44 (0)1384 455570  
F: +44 (0)1384 241628

London Showroom  
7 Clerkenwell Road, London  
EC1M 5PA United Kingdom  
T: +44 (0)20 7253 0364  
F: +44 (0)20 7608 0160

[sales@boss-design.co.uk](mailto:sales@boss-design.co.uk)  
[www.boss-design.com](http://www.boss-design.com)