

**USM**  
Modular Furniture

MAKE IT YOUR  
**HOME**



2	LIVING ROOM
8	DINING
12	ENTERTAINMENT
20	BEDROOM
26	KIDS
28	SHELVING
34	STORAGE
42	HOME OFFICE

	THE USM WORLD
50	Added Value
52	Product Information
60	Colors & Surfaces

What if professional interior designers are asked to customize USM Haller by using the new online Configurator?

The following images prove how versatile USM Haller is – they are the result of the collaboration between USM and Belle magazine in Australia for the international “Make it Yours” campaign.

9 leading architects and interior designers have created unique pieces showing the endless possibilities to customize USM.

Discover more on [www.usm.com](http://www.usm.com)



“The USM Modular Furniture range is a brilliantly engineered and refined piece of design. Its exquisite detail, colour palette – unchanged for the past 50 years – and vast range of components provides enormous freedom, no matter what your style. Functionality and beauty, together as one.”

William Smart, Smart Design Studio



Steve Cordony, Belle Style Director-at-Large

“What I love about the USM product is its distinctive, timeless style. It’s amazing that the USM furniture system was launched 50 years ago and can work so brilliantly and be configured in endless ways for today’s interiors.”





“The USM product is an authentic design statement offering huge versatility. Whether it’s a small or a large piece, its ability to be customised offers a unique statement in any interior.”

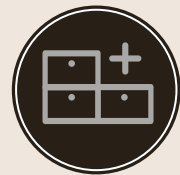
Miriam Fanning, Mim Design

Home is our personal retreat, the private space where we share special time with family and friends. It is a reflection of our lifestyle, our attitudes and the things that mean the most to us.

As our lives and tastes change, our home evolves with us – always in synch with our current needs.

USM Modular Furniture is designed to accompany us through different phases of life. It adjusts to new demands, ready to take up different functions in our home – a constant in our ever-shifting lives.

On the following pages we present the diverse world of USM: from minimal to eclectic, from functional to decorative. Always modular and adjustable. Furniture for a lifetime made with great care in Switzerland.



**Online Configurator**

Design your individual piece of USM online!



**Customized Service**

Visit a USM Showroom or one of our 400 international sales partners worldwide for individual support. Find your closest USM professional online.

**[www.usm.com](http://www.usm.com)**

# IT IS SIMPLY ABOUT LIVING YOUR IDEAS, YOUR STYLE.

Make your home personal. Clear lines, versatile modularity: USM Haller lets you decide. Unobtrusive but essential, it adapts to your lifestyle, your changing needs, your personal taste. An enduring companion.



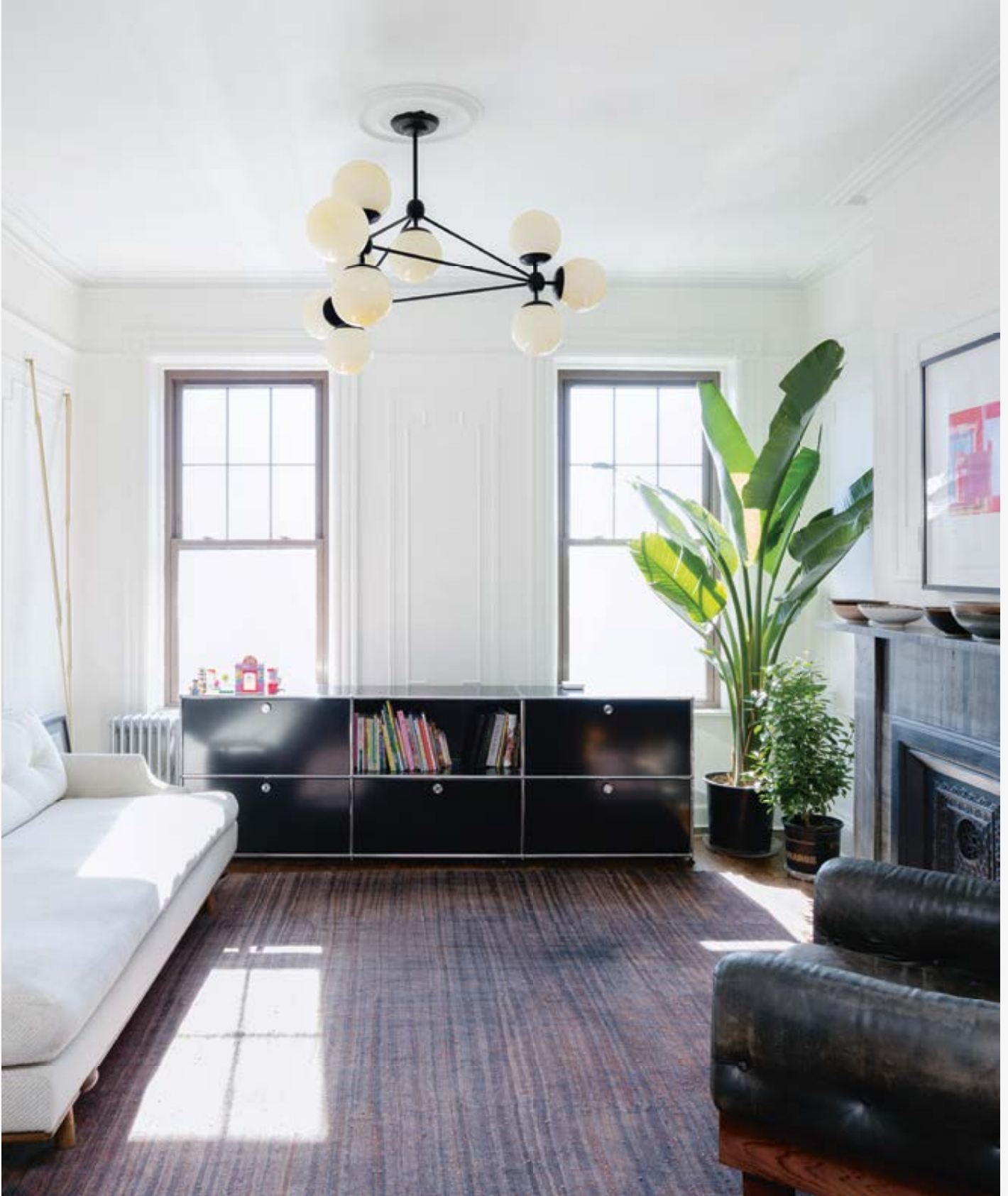
1 Sideboard  
W/D/H: 3023/373/740 mm  
with four drop-down doors





2 **Sideboard**

W/D/H: 2273/373/740 mm  
with two drop-down doors  
and three extension doors





3 **Shelving**  
W/D/H: 773/373/740 mm  
with one drop-down door



4 **Sideboard**  
W/D/H: 1523/373/740 mm  
with four drop-down doors



5 **Sideboard**  
W/D/H: 2273/373/565–740 mm  
with two drop-down doors  
and one extension door with  
box insert



6 **Sideboard**  
W/D/H: 3773/373/740 mm  
with three drop-down doors  
and three extension doors





7 **Glass showcase**  
W/D/H: 3023/373/740 mm  
with eight glass doors





8 **Side table**  
W/D/H: 773/373/390 mm



9 **Glass showcase**  
W/D/H: 1523/373/740 mm  
with four glass doors



10 **USM Haller occasional table, square**  
L/D/H: 750/750/370 mm  
Brown oiled oak veneer



11 **Sideboard**  
W/D/H: 1023/1023/540 mm



12 **Side table**  
W/D/H: 523/523/390 mm  
with one fixed shelf

# SHARING HAPPINESS WITH FAMILY AND FRIENDS IS PRICELESS.

It is often little things that make life richer. Spending time with loved ones, eating, talking, laughing together. All it takes is a table to gather around. Pure and simple in design, the USM Haller Table allows you to dine in style.



13 **USM Haller desk**  
**Rectangular (combination)**  
L/D/H: 1500/1500/740 mm  
Pure white powder-coated  
MDF

14 **Sideboard**  
W/D/H: 1523/373/565 mm  
with two drop-down doors



15 **Serving trolley**  
W/D/H: 773/523/580 mm



16 **Sideboard**  
W/D/H: 1523/373/740 mm  
with two drop-down doors



17 **Sideboard**  
W/D/H: 2273/373/640 mm  
with three drop-down doors



18 **USM Haller table**  
**Rectangular**  
L/D/H: 1750/750/740 mm  
Pastel gray laminate



19 **Serving trolley**  
W/D/H: 773/523/575 mm





20 **Shelving**  
W/D/H: 2273/373/1090 mm  
with six drop-down doors



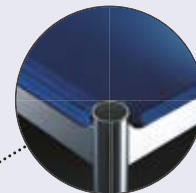
21 **Shelving**  
W/D/H: 1523/373/1090 mm  
with four drop-down doors



22 **Shelving**  
W/D/H: 2273/373/1315 mm  
with seven drop-down doors  
and two extension doors  
with box insert



23 **USM Haller table Square**  
L/D/H: 750/750/740 mm  
Back-lacquered clear glass  
Gentian blue



**CLASSY GLASS**  
Back-lacquered glass tables  
are as iconic as they are  
durable and easy to clean.





24 **USM Haller table Rectangular**  
L/D/H: 1750/1000/740 mm  
Transparent glass



# TRENDS COME AND GO WHILE CLASSIC DESIGN IS CONSTANT.

Clean in shape, honest in materialisation, timeless in design – USM Haller exists beyond trends. The beat of your life might change from time to time, another must-have home gadget might arrive. USM stays and adapts.

## 25 Sideboard

W/D/H: 3773/523/665 mm  
with five drop-down doors  
and five extension doors  
with box insert









26 **Sideboard**  
W/D/H: 2273/373/740 mm  
with three extension doors





27 **Low TV/HiFi unit**  
W/D/H: 1523/273/290 mm  
with one drop-down door



28 **Sideboard**  
W/D/H: 1523/373/565 mm  
with four drop-down doors



29 **Sideboard**  
W/D/H: 1523/373/740 mm  
with two drop-down doors



30 **Low mobile TV/HiFi unit**  
W/D/H: 1523/373/430 mm  
with two divider shelves,  
cable cut-out and casters



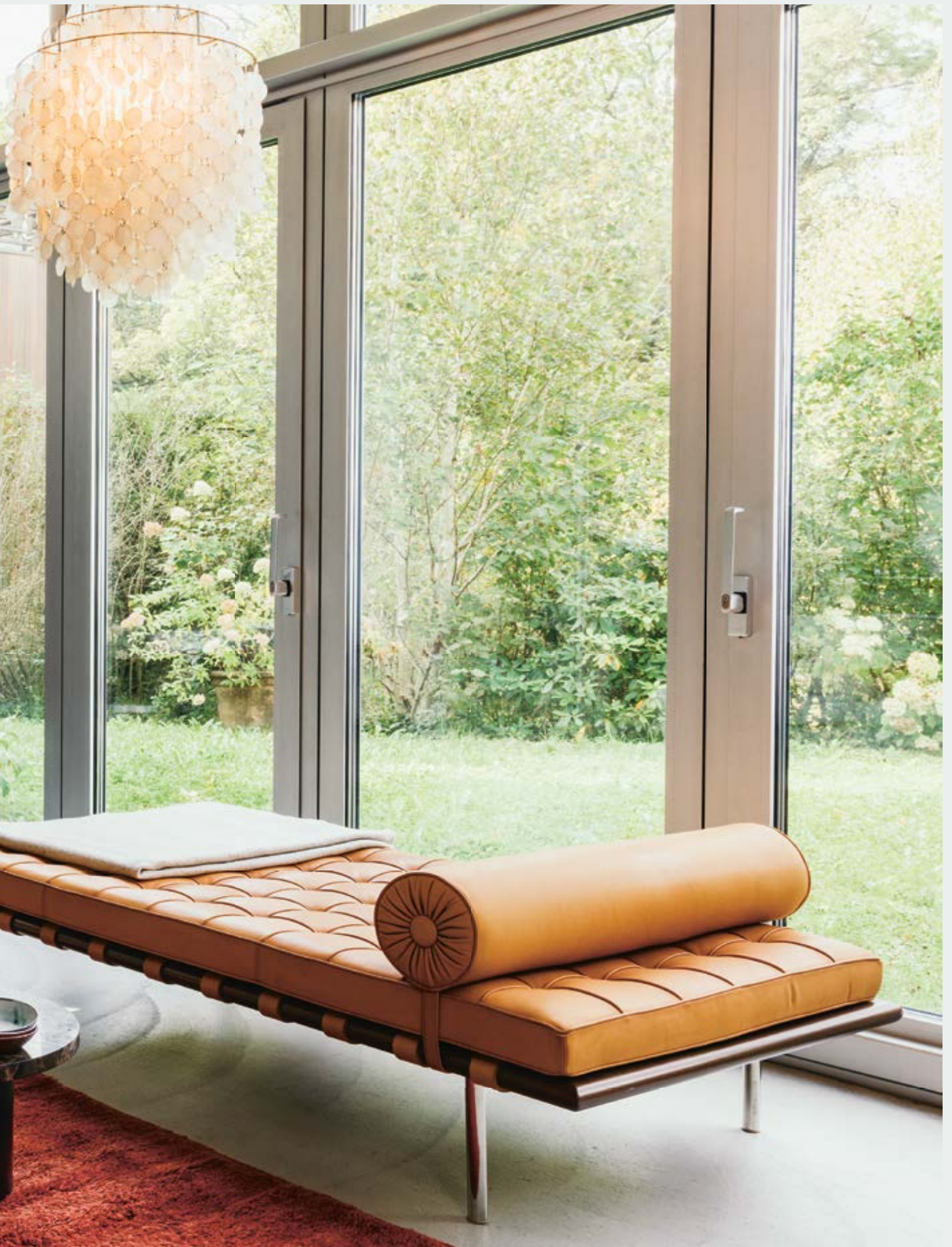
31 **Low mobile TV/HiFi unit**  
W/D/H: 1523/373/430 mm  
with two drawers,  
counterweight and casters

32 **Sideboard**

W/D/H: 2023/523/740 mm  
with one drop-down door,  
one extension shelf  
and three extension doors









33 **Storage unit**  
W/D/H: 1523/373/740 mm  
with two drop-down doors



34 **Sideboard**  
W/D/H: 1523/373/565 mm  
with two drop-down doors



35 **Low mobile TV/HiFi unit**  
W/D/H: 1523/373/430 mm  
with two drop-down doors  
and casters



36 **Low TV/HiFi unit**  
W/D/H: 2273/523/390 mm  
with two drop-down doors,  
one flip-up door  
and one fixed shelf



37 **Side table**  
W/D/H: 773/373/565 mm  
with one drop-down door





38 Low mobile TV/HiFi unit  
W/D/H: 3023/523/430 mm  
with four drop-down doors  
and casters

# ENJOY THE PEACE AND RELAX.

A bedroom is a place to relax, to recharge – your sanctuary. With its sheer simplicity, USM design helps you to ease your mind – offering enough variations to create your own personal sense of calm.



39 **Storage unit**  
W/D/H: 1873/373/390 mm  
with three drop-down doors









40 **Side table**  
W/D/H: 523/373/610 mm  
with one drop-down door



41 **Storage unit**  
W/D/H: 2273/523/565 mm  
with three extension doors  
and six A6 drawers



42 **Storage unit**  
W/D/H: 1523/523/915 mm  
with four A6 drawers  
and six extension doors



43 **Storage unit**  
W/D/H: 773/373/815 mm  
with one drop-down door  
and two extension doors



**SPACIOUS DRAWERS**  
Discover the full range of smart inner  
organizational elements on p. 53.



44 **Storage unit**  
W/D/H: 2273/373/890 mm  
with nine extension doors



**NEW**

in April 2017

A new dimension  
of integral lighting:  
Keep your eyes open!







45 **Side table**  
W/D/H: 418/523/540 mm  
with one A6 drawer



46 **Side table**  
W/D/H: 773/373/840 mm  
with two drop-down doors



47 **Storage unit**  
W/D/H: 1023/373/565 mm  
with two drop-down doors



48 **Side table**  
W/D/H: 773/373/740 mm  
with one drop-down door



49 **Side table**  
W/D/H: 523/373/565 mm  
with one drop-down door

# A PLAYFUL START TO GROW INTO A GREAT FUTURE.

Why not add a bit of color to your design? USM Haller marks a playful spot in your children's room. It serves as a toy box, a bookshelf or storage. A lifelong companion, growing with your children as their needs change.



50 **Shelving**  
W/D/H: 3273/373/2140 mm  
with ten drop-down doors



51 **Toy box**  
W/D/H: 523/523/430 mm  
with casters



52 **Toy box**  
W/D/H: 373/373/390 mm



53 **Desk with toy box**  
W/D/H: 1273/523/580 mm  
with casters



54 **Storage unit**  
W/D/H: 1523/373/1090 mm  
with four drop-down doors



55 **Low storage unit**  
W/D/H: 2023/373/390 mm  
with four drop-down doors



# BEAUTY AND FUNCTION FROM BOTH SIDES.

Whether it's your library or a collection of anything you hold dear, make it accessible from both sides. USM Haller remains discreet, focusing all the attention on what you place on it – minimalist design at its very best.





56 **Room divider**  
W/D/H: 4023/373/2165 mm  
with four extension doors  
and box insert





57 **Room divider**  
W/D/H: 2623/373/1440 mm  
with four drop-down doors





58 **Shelving**  
W/D/H: 2273/373/1940 mm  
with four drop-down doors



59 **Shelving**  
W/D/H: 2273/373/1440 mm  
with three drop-down doors  
and three divider shelves





60 **Shelving**  
W/D/H: 2273/373/2140 mm  
with two flip-up doors,  
four drop-down doors  
and three extension doors



61 **Shelving**  
W/D/H: 3023/373/2140 mm  
with one drop-down door



62 **Shelving**  
W/D/H: 3523/373/1790 mm  
with ten drop-down doors



63 **Shelving**  
W/D/H: 3773/373/2140 mm

# OUR VERSATILITY WITH AN UNASSUMING FACE.

Thanks to its modularity and timelessness, USM fits into every environment, fulfilling a wide range of functions within your home. It adapts to your needs and taste. And it helps you organise your home, offering all the space you need – wherever you want it.



64 **Mobile pedestal**  
W/D/H: 773/523/755 mm  
with two drop-down doors  
and one extension door with box insert





65 **Shelving**  
W/D/H: 523/523/1590 mm  
with three extension doors and  
box insert



66 **Sideboard**  
W/D/H: 1523/373/890 mm  
with two extension doors  
and counterweight



67 **Shelving**  
W/D/H: 773/373/1090 mm  
with three drop-down doors



68 **Mobile pedestal**  
W/D/H: 523/373/605 mm  
with three extension doors  
and box insert



**ORGANIZING TRAYS**  
Discover the full range  
of smart accessories on p. 53.



69 **Glass showcase**  
W/D/H: 1023/373/1740 mm  
with four drop-down doors  
and six glass doors



70 **Glass showcase**  
W/D/H: 1523/373/1440 mm  
with eight glass doors  
and three LED lamps



71 **Sideboard**  
W/D/H: 1523/723/915 mm  
with six drop-down doors  
and six extension doors



72 **Glass showcase**  
W/D/H: 1023/373/1340 mm  
with two drop-down doors  
and two glass doors



73 **Glass showcase**  
W/D/H: 773/373/1440 mm  
with four glass doors





74 **Sideboard**  
W/D/H: 2273/723/890 mm  
with six drop-down doors  
without cover\*

\* Cover is not available in the USM standard range.



75 **Wardrobe**  
W/D/H: 2273/723/1790 mm  
with two drop-down doors,  
four extension doors and  
box insert, two flip-up doors,  
and a clothes rail



76 **Wardrobe**  
W/D/H: 1523/523/1265 mm  
seven extension doors with  
box insert and a clothes rail



77 **Wardrobe**  
W/D/H: 773/373/1915 mm  
with one drop-down door  
and one extension door with  
box insert and a clothes rail



78 **Wardrobe**  
W/D/H: 2723/1473/1790 mm  
with one drop-down door,  
four extension shelves and  
one extension door with box  
insert and two divider shelves





79 **Wardrobe**

W/D/H: 1273/373/1790 mm  
with one drop-down door,  
one extension door,  
three extension doors,  
and box insert, one flip-up door  
and a clothes rail





80 **Wardrobe**  
W/D/H: 1523/373/1440 mm  
with three drop-down doors



81 **Shelving**  
W/D/H: 1023/373/815 mm  
with two drop-down doors



FEEL AT HOME

# WHILE YOU WORK AT HOME.

The home office is a natural part of modern working life. An inspiring environment is not only stylish but enhances well-being and productivity. USM adds quality to the workplace in your home – and to your life at large.





82 **Shelving**  
W/D/H: 773/373/1090 mm  
with two drop-down doors

83 **USM Haller desk**  
**Rectangular**  
L/D/H: 1500/750/740 mm  
Pure white powder-coated MDF

84 **Mobile pedestal**  
W/D/H: 418/523/605 mm  
with three A6 drawers,  
with counterweight





85 **Mobile pedestal**  
W/D/H: 418/523/605 mm  
with one A6 drawer  
and one A4 drawer,  
with counterweight



86 **Shelving**  
W/D/H: 773/373/1090 mm  
with two drop-down doors,  
one extension door with box insert  
and cable cut-out



87 **Shelving**  
W/D/H: 773/373/1790 mm  
with one drop-down door  
and one extension door



88 **Sideboard**  
W/D/H: 1523/373/740 mm  
with two drop-down doors  
and two extension doors  
with filing frames



89 **Shelving**  
W/D/H: 773/373/1440 mm  
with two drop-down doors



90 **Shelving**  
W/D/H: 1273/523/740 mm  
with two drop-down doors





91 **Shelving**

W/D/H: 3123/2623/2640 mm  
with six drop-down doors  
and six extension doors  
with filing frames



**USM Inos organizing drawer set**  
In graphite black or light gray,  
with various dividers, inserted on  
an extension shelf or in drawers.



**Powder-coated MDF surface**  
Discover the full range of all  
surfaces on p. 60-61.



92 **Shelving**  
W/D/H: 1523/373/1090 mm  
with four extension doors  
and filing frames



93 **Mobile pedestal**  
W/D/H: 1023/373/605 mm  
with two drop-down doors  
and with two extension doors  
and box insert



94 **Shelving**  
W/D/H: 3523/373/1790 mm  
with thirteen drop-down doors

95 **USM Haller desk**  
**Rectangular**  
L/D/H: 1500/750/740 mm  
Pearl gray laminate





96 **USM Kitos M Plus desk**  
L/D/H: 1750/750/700–1200 mm  
Pearl gray laminate

97 **Mobile pedestal**  
W/D/H: 418/523/605 mm  
with three A6 drawers,  
with counterweight



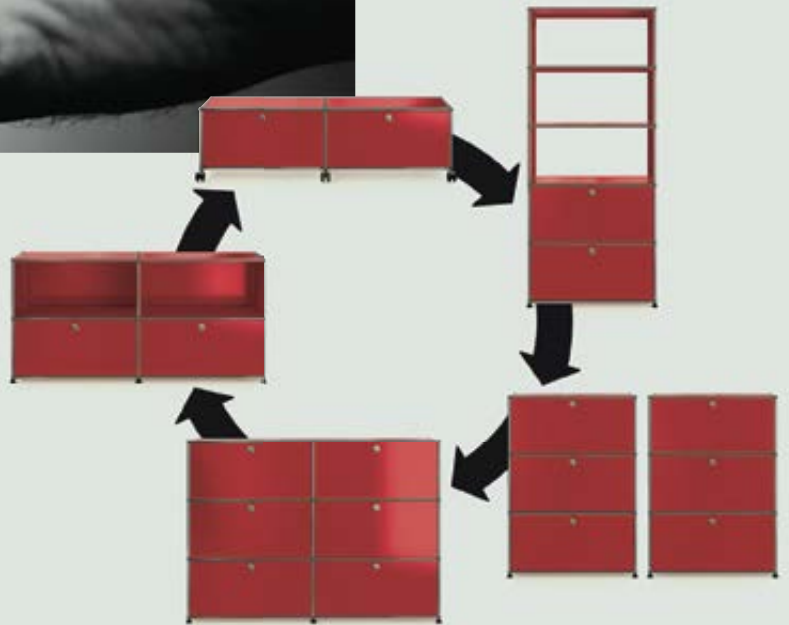


# STRONG CORE VALUES



## FORM FOLLOWS YOU

Unlike many static design classics, USM Haller is an evolving system, celebrating individuality by adapting design and function to its user. For more than 50 years, flexibility, durability and consequently sustainability are core values of the USM brand. USM Modular Furniture is designed to be reconfigured – at any time.



## SUSTAINABLE CONCEPTS AND ACTIONS

Developing solutions that respond to changing needs while remaining environmentally conscious has always been a USM philosophy. Since the beginning, and throughout USM's development, handling energy, emissions, materials and production methods in a responsible manner has been a key mission. In this regard, the longevity of USM products is of utmost importance. The longer the product can be used, the less impact it has on the environment. High-quality, durable materials, manufactured with the latest environmentally friendly technologies, guarantees a long, useful life for our product.



## MADE IN SWITZERLAND

Founded in 1885, USM is a family business now in its fourth generation. «Made in Switzerland» to us is both a promise and an obligation. It stands for precision, quality, dependability, first-rate materials, careful workmanship and total commitment – on behalf of customer interest and out of respect for the environment.



Founded in 1885 and headquartered in Münsingen, Switzerland, USM today is still a family-owned and family-led business, now in its fourth generation.

## WORLDWIDE SERVICES

USM provides trained specialists in furniture configuration, delivery and installation to ensure professional customer support. For USM assembly and repair, contact us directly or one of our 400 authorised sales partners in 40 countries, guaranteeing top-quality service around the world. Our modular system embodies dependability, and our customer service guarantees that you will receive quick, personalised answers to your questions.

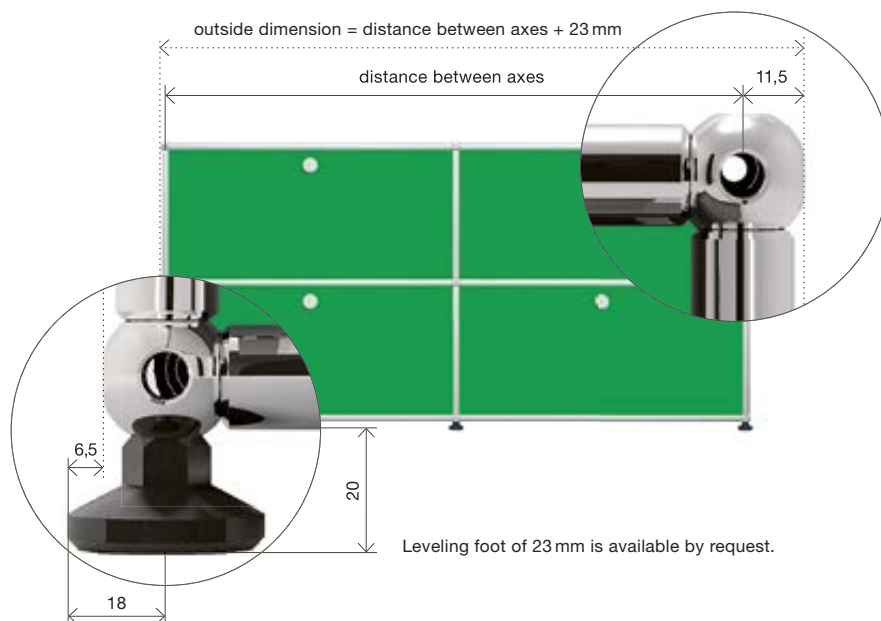
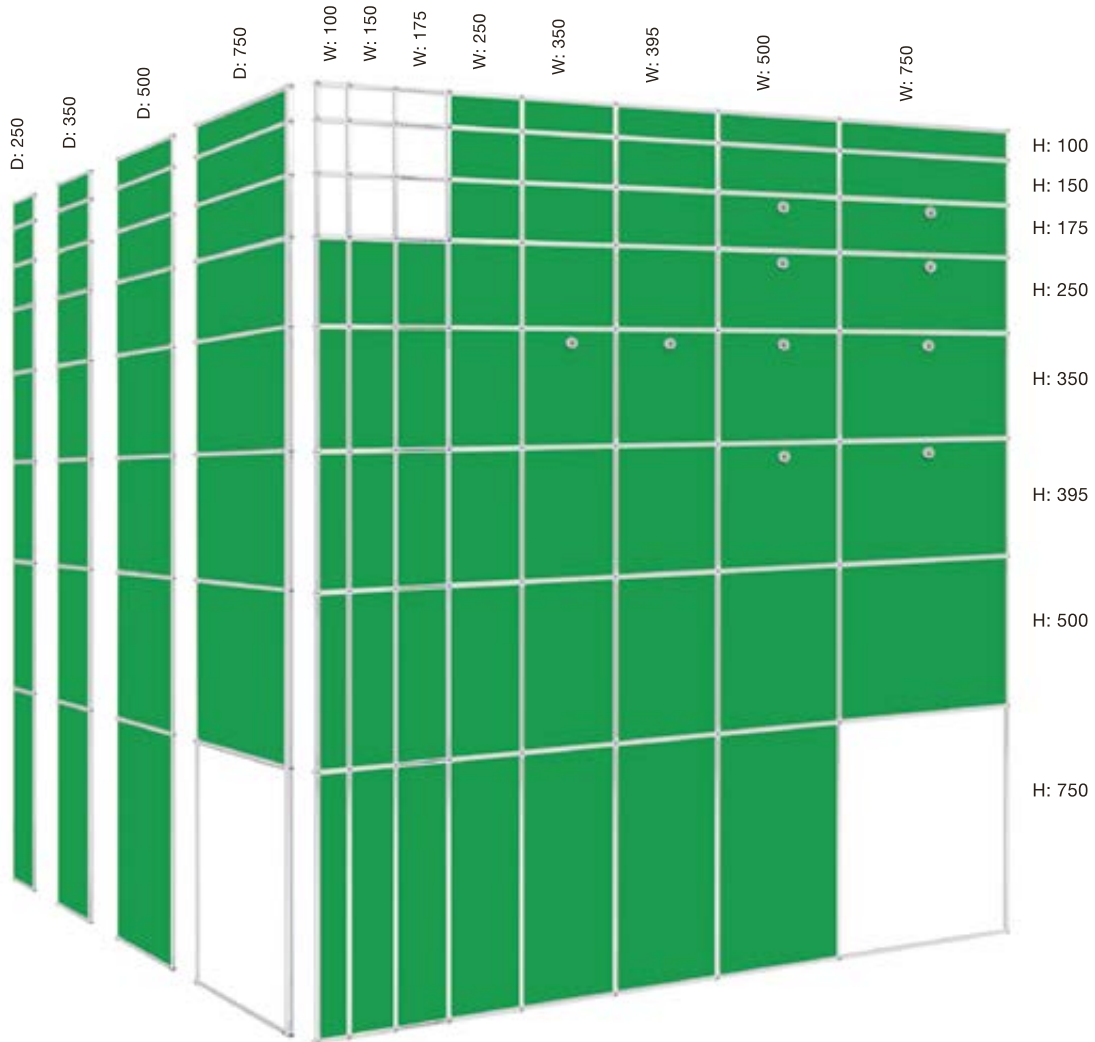
For customized advice, do not hesitate to visit our showrooms. USM has established a prominent reputation and international presence with flagship stores in Bern, Berlin, Düsseldorf, Hamburg, London, Munich, New York, Paris, Stuttgart and Tokyo that showcase local culture and offer technical support.





# USM Haller

The USM Haller system provides a wide variety of elements in standard sizes. Widths, depths and heights are indicated below. All measurements refer to the distance between axes.



USM's smart accessories make it easy for you to organize and store your most important belongings. The system components are adaptable yet functional to suit any environment.



Start configuring  
your individual piece  
of USM now!  
[www.usm.com](http://www.usm.com)

#### Elements for USM Haller

##### Panels

- 1 Metal panel
- 2 Glass panel
- 3 Acoustic panel
- 4 Perforated metal panel\*

##### Doors

- 5 Metal flip-up door\*
- 6 Glass door
- 7 Acoustic drop-down door\*
- 8 Metal drop-down door
- 9 Metal extension door\*

##### Shelves and drawers

- 10 Metal divider shelf
- 11 Glass divider shelf
- 12 Metal extension shelf
- 13 Metal angled shelf
- 14 Extension filing set with extension shelf
- 15 Small drawer, D: 500
- 16 A6 drawer, D: 500
- 17 A5 drawer, D: 500
- 18 A4 drawer, D: 500
- 19 Extension filing set, D: 500

##### Accessoires

- 20 Hanging file baskets
- 21 Metal box insert
- 21a Slide profile for metal box insert
- 22 Cable cut-out
- 23 Metal, magnetic bookend

- 24 USM Inos Box
- 25 USM Inos DVD tray
- 26 USM Inos CD tray
- 27 USM Inos angled file trays
- 28 USM Inos card box set
- 29 Bookend for bookshelf panel (D: 350)
- 30 USM Inos C4 box set, open
- 31 USM Inos C4 box set, closed
- 32 USM Inos drawer organizer set

All measurements in mm.

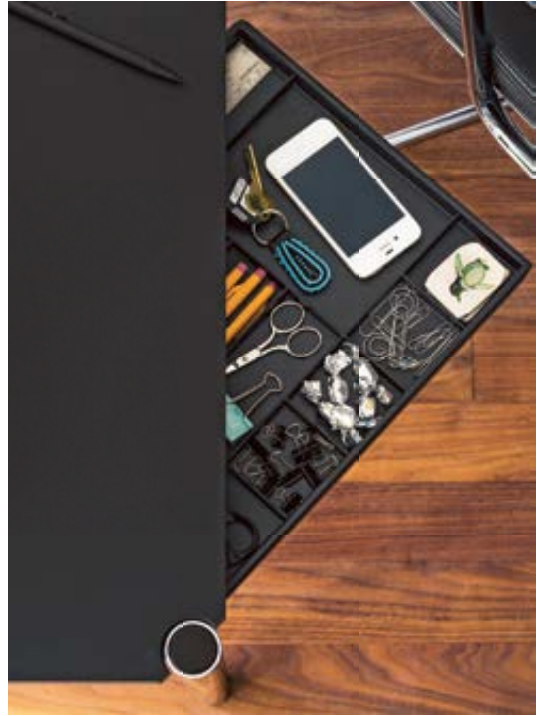
\*Acoustic version available.

USM Inos accessories are available in graphite black and light gray.  
Illustration: USM Haller in D: 500 mm.





1



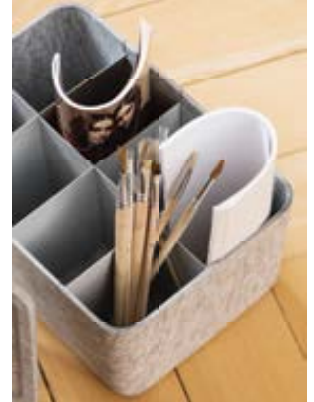
2



3



4



5

#### Accessories for USM Haller

1 **Metal, magnetic bookend**

Available in light gray and graphite black.

2 **Material tray**

Provides room for writing instruments and can be discreetly stowed under the tabletop.

3 **USM Inos internal organisation**

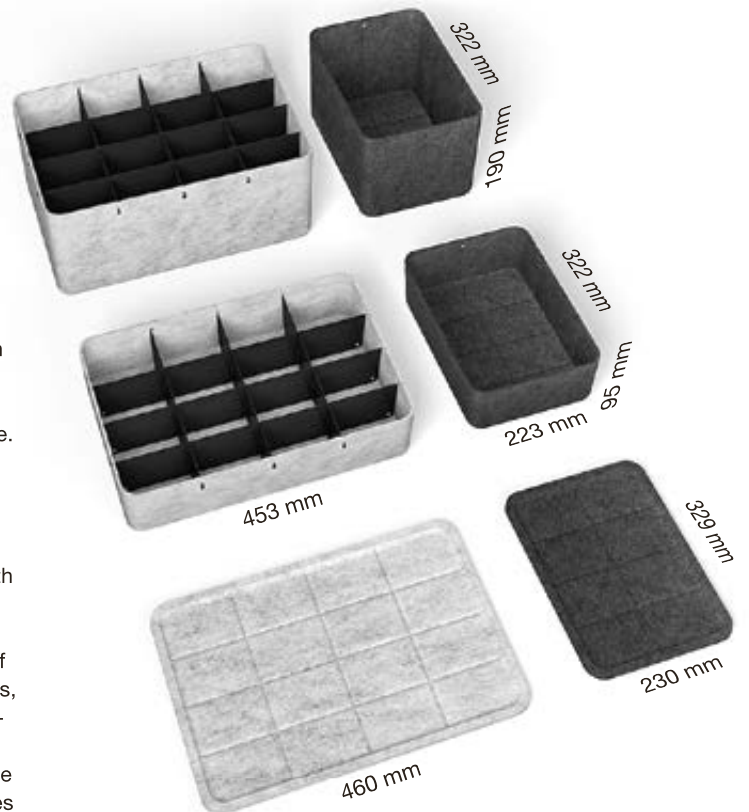
Plastic box in metal frame:  
Perfect for keeping small bits and pieces organized – be it in your home office or anywhere else in your house.

4 **USM Inos C4 box set**

Available in light gray or graphite black, open or closed, with five or ten drawers: measurements of the Inos box set perfectly fit all USM Haller furniture.

5 **USM Inos Box**

The new USM Inos Boxes organise, store and protect both your treasures and everyday paraphernalia of life. Several boxes can be stacked on top of each other with the help of trays, which can also be used as covers or serving trays, or to hold assorted small items around the home. These soft storage boxes made of nonwoven polyester are available in four different sizes and in light gray and anthracite gray.





# USM Haller Table

Designed more than 45 years ago, the USM Haller Table still embodies timeless elegance. Its clean lines perfectly harmonise with the modular furniture system of the same name.

For home office use, the classic USM Haller Table is easily equipped with smart accessories and an optional cable basket as well as integrated solutions for electrification.

## Basic table

Optional cable basket underneath the tabletop



### USM Haller Classic

H: 740  
L: 3000 / D: 1000  
L: 3000 / D: 750  
L: 2500 / D: 1000  
L: 2500 / D: 750  
L: 2250 / D: 1000  
L: 2250 / D: 750  
L: 1000 / D: 1000  
L: 750 / D: 750

H: 740 or 680–860\*  
L: 2000 / D: 1000  
L: 2000 / D: 750  
L: 1750 / D: 1000  
L: 1750 / D: 750  
L: 1500 / D: 1000  
L: 1500 / D: 750  
L: 1250 / D: 750

## Occasional table



### USM Haller occasional table, square

H: 370  
L: 3000 / D: 1000  
L: 3000 / D: 750  
L: 2500 / D: 1000  
L: 2500 / D: 750  
L: 2250 / D: 1000  
L: 2250 / D: 750  
L: 2000 / D: 1000  
L: 2000 / D: 750  
L: 1750 / D: 1000  
L: 1750 / D: 750  
L: 1500 / D: 1000  
L: 1500 / D: 750  
L: 1250 / D: 750  
L: 1000 / D: 1000  
L: 750 / D: 750

## Working desk

Optional cable basket underneath the tabletop

Removable adaptation points for accessories



### USM Haller Plus

H: 740  
L: 3000 / D: 1000  
L: 3000 / D: 750

H: 740 or 680–860\*  
L: 2000 / D: 1000  
L: 2000 / D: 750  
L: 1750 / D: 1000  
L: 1750 / D: 750  
L: 1500 / D: 1000  
L: 1500 / D: 750  
L: 1250 / D: 750

## Sliding tabletop + adaptation points

Integrated cable tray accessible from above by sliding back the tabletop

Adaptation points for accessories

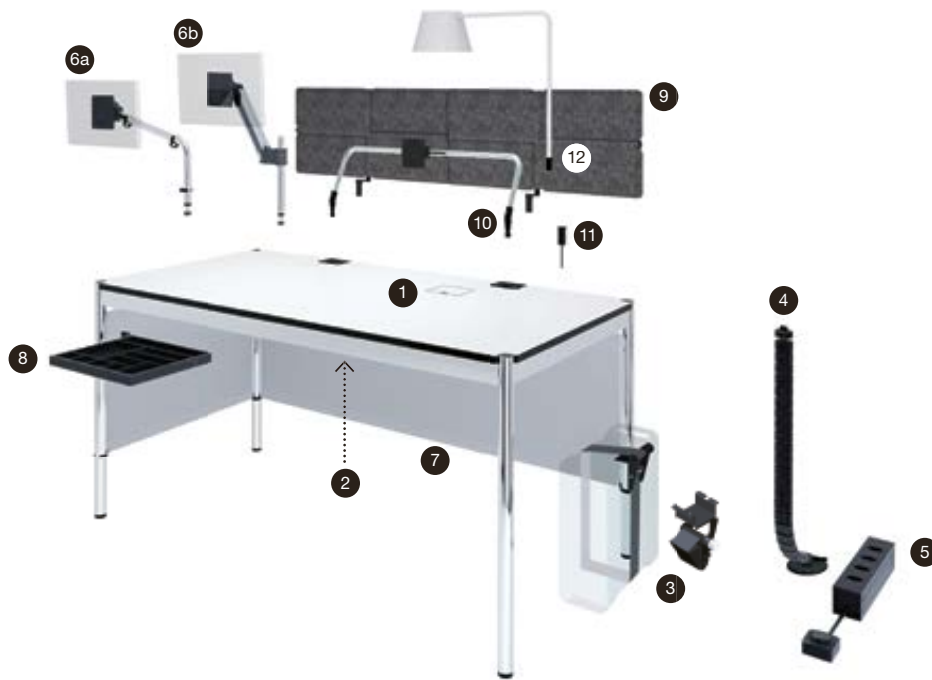


### USM Haller Advanced

H: 740 or 680–860\*  
L: 2000 / D: 1000  
L: 2000 / D: 750  
L: 1750 / D: 1000  
L: 1750 / D: 750  
L: 1500 / D: 1000  
L: 1500 / D: 750  
L: 1250 / D: 750

All measurements in mm.

\*Manual height adjustment with a removable handle.



Accessories for all USM Haller Desks

**1 Grommet hatch for network access**

Flush hinged cover set into the tabletop for easy network access, can be positioned at two different locations.

**Cable duct:**  
The classic USM Haller table can be updated with a black aluminum cable duct section, with lids that fold open on both sides, to integrate power strips (5) and cables.

**4 Link chain**  
Holds and directs cables to the power source. Flexible and adjustable to various lengths.

Available for USM Haller Plus and Advanced: The bracket can be connected directly to one of the adaptation points.  
Options:

**8 Material tray**  
Provides room for writing instruments and can be discreetly stowed under the tabletop.

**2 Cable management**  
For the Advanced table type, a cable tray integrated under the tabletop offers storage room and attachment options for all cables and technical components.  
For the traditional USM Haller Table and the USM Haller Plus, a cable basket can be attached.

This enables the table depths to be expanded to the EU standard of more than 800 mm. For table heights of 2000, 1750, 1500, 1250, 1000, 900, 750.

**5 Power strip**  
Can be configured individually for data and power supply according to country-specific requirements. Available with a 4 m cable or a switch. Magnetically fixed in the cable tray.

6a Mounting at different heights is possible for screens weighing up to 12 kg.  
6b Continuous height adjustment for screens weighing up to 12 kg.

**9 USM Privacy Panels**  
Can be attached to the long side to ensure individuality and privacy for people working at tables configured as a block station.  
H: 350 or 700.  
Available for the following table lengths: 3000, 2500, 2250, 2000, 1750, 1500, 1250, 1000, 750.

**3 CPU holder**  
Computers in various sizes can be mounted using a simple holding device under the table.

**6 Flat screen pivot arm**  
Screens are screwed to the height adjustable pivot arm using a mounting plate (VESA standard). Available for USM Haller classic desk: The pivot arm can be mounted onto the table edges with the universal holder or into the table leg using an assembly tube.

**7 Front and side panel**  
A black mesh fabric can be attached to the back or the side under the table frame.  
Available for the following table lengths: 2000, 1750, 1500, 1250, 1000, 750 and depths: 1000, 750.

Accessories for USM Haller Desk Plus / Advanced

**10 Flat screen support bar**  
The bracket is inserted into the adaptation points. Up to two screens can be attached using a mounting plate (VESA standard). Screens can be mounted at different heights; screens can be adjusted with ball joints.

Options:  
10a Flat screen support bar fix  
10b Flat screen support bar adjustable  
Move forwards or backwards 2 notches at a time to adjust the viewing distance.

**11 USB adapter**  
The adapter is suitable for USB 2.0 and 3.0 ports; it can easily be inserted into the adaptation point. Usable as power supply or for data transfer.

**12 Lamp peg**  
An optional lamp peg for easy attachment of traditional table lamps. Electrification is possible through the adaptation point.



# USM Kitos M and E Desk

Each desk (except free-standing) of the USM Kitos M and E family offers integrated smart solutions for electrification.

## Why USM Kitos M?

The "M" in its name stands for mechanical spring-loaded height adjustment; adjustment time approx. 1 sec. with zero energy consumption. This system is more than 10 times faster than the electronic equivalent and has an extremely long operating life.

## Why USM Kitos E?

Maximum functionality and captivating design – USM Kitos E unites all requirements in one modern workplace: continuous height adjustability and maximum stability. A distinction is made between fixed and motor-driven legs in the E1, E2 and E3 models.



**E1**

H: 740

With or without middle traverse



**E2**

with 1 motor

H: 700–1200

Adjustment time approx. 30 sec.

With middle traverse



**E3**

with 2 motors

H: 650–1300

Adjustment time approx. 20 sec.

With middle traverse

### Basic desk

Integrated cable tray underneath the tabletop



#### USM Kitos M

H: 700–1200  
L: 1800 / D: 900  
L: 1750 / D: 750  
L: 1600 / D: 800

#### USM Kitos E

L: 1800 / D: 900  
L: 1750 / D: 750  
L: 1600 / D: 800  
Available with E1\*, E2 or E3\*\* columns

### Sliding tabletop

Integrated cable tray accessible from above by sliding back the tabletop

Adaptation points for accessories



#### USM Kitos M Plus

H: 700–1200  
L: 1800 / D: 900  
L: 1750 / D: 750  
L: 1600 / D: 800

#### USM Kitos E Plus

L: 1800 / D: 900  
L: 1750 / D: 750  
L: 1600 / D: 800  
Available with E1\*, E2 or E3 columns

### Extra size

Integrated cable tray underneath the tabletop and accessible from all sides



#### USM Kitos M Meeting

H: 700–1150  
L: 2500 / D: 1000  
L: 2250 / D: 1000

#### USM Kitos E Meeting

L: 2500 / D: 1250  
L: 2500 / D: 1000  
L: 2250 / D: 1000  
Available with E1, E2 or E3 columns

### Side table



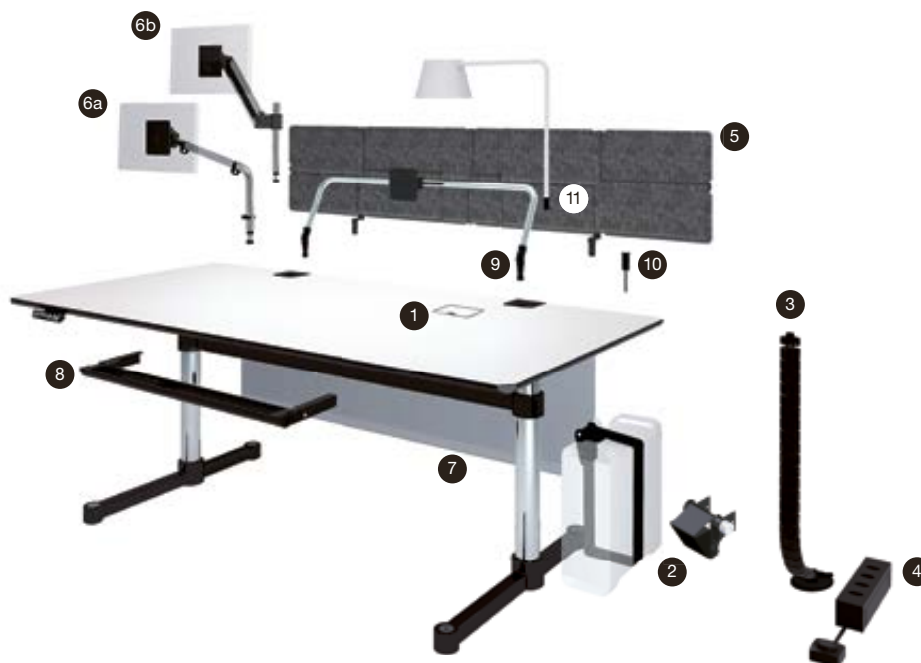
#### USM Kitos E Free-standing

H: 740 or 700 – 1110  
Square  
L: 750 and 900  
Round  
Ø: 900 and 1100

All measurements in mm.

The table can also be provided with an asymmetrical version of the middle traverse, for extra legroom. (This is not possible with the USM Kitos E / M Meeting.)

\* Available with or without middle traverse. \*\* Available in a GS-Mark tested version with 3 mm table edge radius and the asymmetrical middle traverse.



#### Accessories for all USM Kitos M and E Desks

- |                                                                                                                                                                      |                                                                                                                                                                                     |                                                                                                                          |                                                                                                                                                                                                                    |                                                                                                                                                                                                                                                                       |
|----------------------------------------------------------------------------------------------------------------------------------------------------------------------|-------------------------------------------------------------------------------------------------------------------------------------------------------------------------------------|--------------------------------------------------------------------------------------------------------------------------|--------------------------------------------------------------------------------------------------------------------------------------------------------------------------------------------------------------------|-----------------------------------------------------------------------------------------------------------------------------------------------------------------------------------------------------------------------------------------------------------------------|
| <p><b>1 Grommet hatch for network access</b><br/>Flush hinged cover set into the tabletop for easy network access, can be positioned at two different locations.</p> | <p><b>2 CPU holder</b><br/>Computers in various sizes can either be mounted using a simple holding device under the height-adjustable tabletop or attached to the table column.</p> | <p><b>3 Link chain</b><br/>Holds and directs cables to the power source. Flexible and adjustable to various lengths.</p> | <p><b>4 Power strip</b><br/>Can be configured individually for data and power supply according to country-specific requirements. Available with a 4 m cable or a switch. Magnetically fixed in the cable tray.</p> | <p><b>5 USM Privacy Panels</b><br/>Can be attached to the long side to ensure individuality and privacy for people working at tables configured as a block station.<br/>H: 350 or 700.<br/>Available for the following table sizes: 2500, 2250, 1800, 1750, 1600.</p> |
|----------------------------------------------------------------------------------------------------------------------------------------------------------------------|-------------------------------------------------------------------------------------------------------------------------------------------------------------------------------------|--------------------------------------------------------------------------------------------------------------------------|--------------------------------------------------------------------------------------------------------------------------------------------------------------------------------------------------------------------|-----------------------------------------------------------------------------------------------------------------------------------------------------------------------------------------------------------------------------------------------------------------------|

#### Accessories for all USM Kitos M and E Desks, except USM Kitos M Meeting / E Meeting

- |                                                                                                                                                                                                                                                         |                                                                                                                                           |                                                                                                                                                                           |                                                                                                                                                          |                                                                                                                          |
|---------------------------------------------------------------------------------------------------------------------------------------------------------------------------------------------------------------------------------------------------------|-------------------------------------------------------------------------------------------------------------------------------------------|---------------------------------------------------------------------------------------------------------------------------------------------------------------------------|----------------------------------------------------------------------------------------------------------------------------------------------------------|--------------------------------------------------------------------------------------------------------------------------|
| <p><b>6 Flat screen pivot arm</b><br/>Screens are screwed to the height adjustable pivot arm using a mounting plate (VESA standard). Available for USM Kitos E/M desk: The pivot arm can be mounted onto the table edges with the universal holder.</p> | <p>Available for USM Kitos M and E Plus/Advanced: The bracket can be connected directly to one of the adaptation points.<br/>Options:</p> | <p><b>6a</b> Mounting at different heights is possible for screens weighing up to 12 kg.<br/><b>6b</b> Continuous height adjustment for screens weighing up to 12 kg.</p> | <p><b>7 Front panel</b><br/>A black mesh fabric attaches to the front under the tabletop. Available for the following table sizes: 1800, 1750, 1600.</p> | <p><b>8 Material tray</b><br/>Provides room for writing instruments and can be discreetly stowed under the tabletop.</p> |
|---------------------------------------------------------------------------------------------------------------------------------------------------------------------------------------------------------------------------------------------------------|-------------------------------------------------------------------------------------------------------------------------------------------|---------------------------------------------------------------------------------------------------------------------------------------------------------------------------|----------------------------------------------------------------------------------------------------------------------------------------------------------|--------------------------------------------------------------------------------------------------------------------------|

#### Accessories for USM Kitos M Plus / E Plus

- |                                                                                                                                                                                                                                                                  |                                                                                                                                                                                               |                                                                                                                                                                                       |                                                                                                                                                              |
|------------------------------------------------------------------------------------------------------------------------------------------------------------------------------------------------------------------------------------------------------------------|-----------------------------------------------------------------------------------------------------------------------------------------------------------------------------------------------|---------------------------------------------------------------------------------------------------------------------------------------------------------------------------------------|--------------------------------------------------------------------------------------------------------------------------------------------------------------|
| <p><b>9 Flat screen support bar</b><br/>The bracket is inserted into the adaptation points. Up to two screens can be attached using a mounting plate (VESA standard). Screens can be mounted at different heights; screens can be adjusted with ball joints.</p> | <p>Options:<br/><b>9a</b> Flat screen support bar fix<br/><b>9b</b> Flat screen support bar adjustable<br/>Move forwards or backwards 2 notches at a time to adjust the viewing distance.</p> | <p><b>10 USB adapter</b><br/>The adapter is suitable for USB 2.0 and 3.0 ports. It can be inserted easily into the adaptation point. Usable as power supply or for data transfer.</p> | <p><b>11 Lamp peg</b><br/>An optional lamp peg for easy attachment of traditional table lamps. Electrification is possible through the adaptation point.</p> |
|------------------------------------------------------------------------------------------------------------------------------------------------------------------------------------------------------------------------------------------------------------------|-----------------------------------------------------------------------------------------------------------------------------------------------------------------------------------------------|---------------------------------------------------------------------------------------------------------------------------------------------------------------------------------------|--------------------------------------------------------------------------------------------------------------------------------------------------------------|

# Colors & Surfaces

## USM Haller



### Metal



Pure white  
RAL 9010



Light gray  
RAL 7035



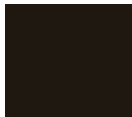
USM matte silver



Mid-gray  
RAL 7005



Anthracite  
RAL 7016



Graphite black  
RAL 9011



Steel blue  
RAL 5011



Gentian blue  
RAL 5010



USM green



Golden yellow  
RAL 1004



Pure orange  
RAL 2004



USM ruby red



USM brown



USM beige

## USM Haller and USM Kitos Tables



### Powder-coated MDF



Pure white  
RAL 9010

### Back-lacquered clear glass



Pure white  
RAL 9010



Light gray  
RAL 7035



USM matte silver



Mid-gray  
RAL 7005



Anthracite  
RAL 7016



Graphite black  
RAL 9011



Steel blue  
RAL 5011



Gentian blue  
RAL 5010



USM green



Golden yellow  
RAL 1004



Pure orange  
RAL 2004



USM ruby red



USM brown

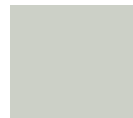


USM beige

### Back-lacquered etched glass



Pure white  
RAL 9010



Light gray  
RAL 7035



Mid-gray  
RAL 7005



Anthracite  
RAL 7016



Graphite black  
RAL 9011



Steel blue  
RAL 5011

### Transparent glass



Transparent glass



Linoleum



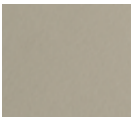
Ash linoleum



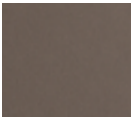
Charcoal linoleum



Black linoleum



Pebble linoleum



Mauve linoleum

Laminate



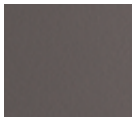
Pearl gray laminate



Pastel gray laminate



Light mid-gray laminate



Dark warm gray laminate

Oiled or lacquered veneer



White oiled oak veneer



Natural oiled oak veneer



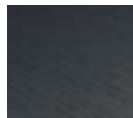
Brown oiled oak veneer



Natural lacquered oak veneer



Natural lacquered beech veneer



Black lacquered oak veneer

Details

USM Haller



Metal

USM Haller Table



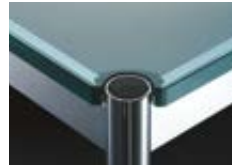
Powder-coated MDF



Back-lacquered clear glass



Back-lacquered etched glass



Transparent glass



Linoleum



Laminate



Oiled or lacquered veneer

USM Kitos Table



Powder-coated MDF



Back-lacquered clear glass



Back-lacquered etched glass



Transparent glass



Linoleum



Laminate



Oiled or lacquered veneer

Switzerland:  
USM U. Schärer Söhne AG  
Thunstrasse 55  
CH-3110 Münsingen  
Phone +41 31 720 72 72  
info@ch.usm.com

Germany:  
USM U. Schärer Söhne GmbH  
Postfach 1653  
D-77806 Bühl  
Phone +49 72 23 80 94 0  
info@de.usm.com

France:  
USM U. Schärer Fils SA  
Bureaux et showroom  
23, rue de Bourgogne  
75007 Paris  
Phone +33 1 53 59 30 30  
info@fr.usm.com

United Kingdom:  
USM U. Schaerer Sons Ltd.  
London Showroom  
Ground Floor, 49-51 Central St.  
London, EC1V 8AB  
Phone +44 207 183 3470  
info.uk@usm.com

USA:  
USM U. Schaerer Sons Inc.  
New York Showroom  
28 - 30 Greene Street  
New York, NY 10013  
Phone +1 212 371 1230  
info@us.usm.com

Japan:  
USM U. Schaerer Sons K.K.  
Tokyo Showroom  
Marunouchi MY PLAZA 1 · 2F  
2-1-1 Marunouchi, Chiyoda-ku  
Tokyo 100-0005  
Phone +81 3 5220 2221  
info@jp.usm.com

All other countries  
contact USM Switzerland.

**[www.usm.com](http://www.usm.com)**

