



GEZE SLIDING, TELESCOPIC AND FOLDING DOOR SYSTEMS
VERSATILE AND COMFORTABLE



GEZE SLIDING, TELESCOPIC AND FOLDING DOORS

TABLE OF CONTENTS

Foreword: GEZE sliding door systems	4
Overview table	5
Automatic sliding door systems	
Automatic sliding doors (standard)	6
Redundant sliding doors for emergency exit routes (FR)	7
Redundant sliding doors for locked emergency exit routes (FR-RWS)	7
Redundant sliding doors for emergency exit routes with locked shop closing function (FR-LL)	8
Redundant sliding doors for emergency exit routes in both directions (FR-DUO)	8
Sliding doors for emergency exit routes with break-out function (BO)	9
Sliding doors for emergency exit routes according to CO48 (France)	9
Sliding doors with burglar resistance in accordance with resistance class 2 (RC 2)	10
Smoke-proof sliding doors (RD)	10
Fire protection sliding doors (T30)	11
Telescopic sliding doors (SLT)	11
Folding doors (SF)	12
Corner sliding doors (SLV)	12
Inclined sliding doors (SL inclined)	13
Vestibule	14
Special solutions	15
Sliding door drives	
GEZE Slimdrive SL NT	16
GEZE Slimdrive SL	28
GEZE Slimdrive SLT	40
GEZE Slimdrive SF	50
GEZE ECdrive	54
GEZE Powerdrive PL	68
Sliding door hardware	80
Accessories	
Operation	82
Actuation	83
Protection	85
Locking	86
Service tools	87
Cable diagram	88
References	89

GEZE SLIDING, TELESCOPIC AND FOLDING DOORS

GEZE sliding door systems

For comfort and perfection

Sliding doors are space-saving, elegant and modern. Glass sliding doors are ideal when it comes to making good use of daylight and fulfilling optical criteria. Automatic sliding doors from GEZE can be used to implement the widest range of application requirements within a building.

The variations in the Slimdrive drive series, having an overall height of only seven centimetres, fit perfectly into any building's architecture and offer a wide range of application possibilities.

The ECdrive is economical and extremely reliable in its functionality.

The Powerdrive is a real 'power house' and is capable of moving heavy doors conveniently and safely.

DIN 18650

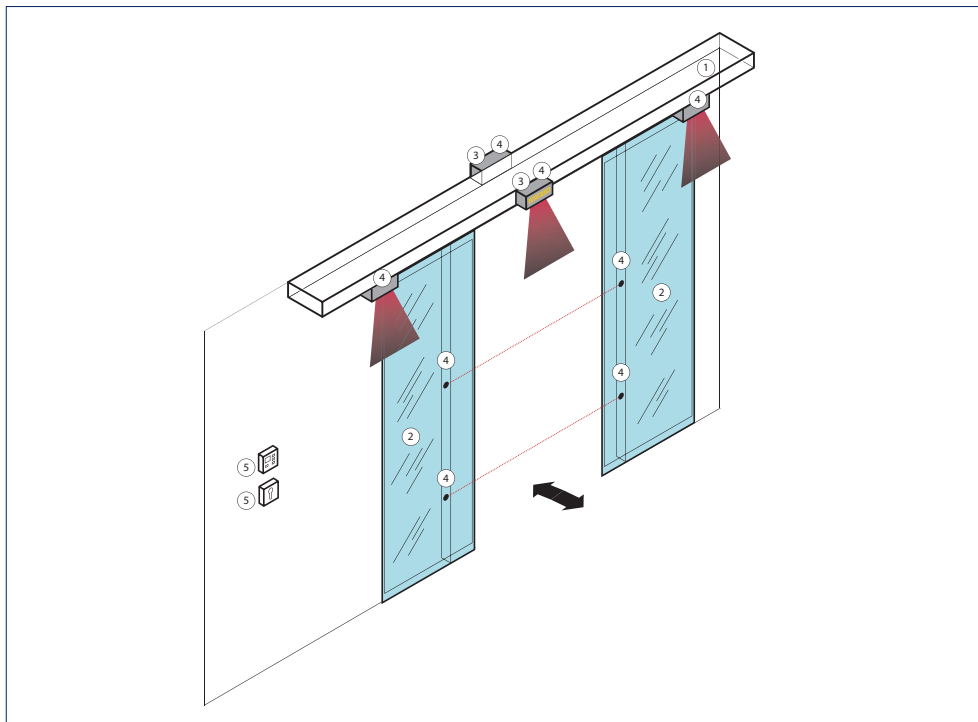
The industrial standard DIN 18650 was created to be able to guarantee operators and users of automatic doors optimum safety. GEZE sliding door systems have been type-tested to DIN 18650 and certified.

EN 16005

The new European standard EN 16005 sets out the design requirements and testing methods used to ensure the safe use of automatic doors. The new standard has created a Europe-wide safety standard for automatic doors.

All automatic door systems and safety sensors from GEZE meet the EN 16005 standard and are available.

Design possibilities with the sliding door system



- 1 = Drive
- 2 = Fitting
- 3 = Actuation
- 4 = Safeguard / Note: According to EN 16005 / DIN 18650, light barriers are not suitable for people in need of special protection!
- 5 = Operation

GEZE SLIDING, TELESCOPIC AND FOLDING DOORS

Overview table for automatic sliding door systems

	Slimdrive	ECdrive	Powerdrive	Page
Product features				
Dimensions (height x depth)	70 x 190 mm	120 x 175 mm 150 x 175 mm	150 x 185 mm 200 x 185 mm	
Opening width 1-leaf	700 - 3000 mm	700 - 3000 mm	700 - 3000 mm	
Opening width 2-leaf	900 - 3000 mm	900 - 3000 mm	800 - 3000 mm	
Leaf weight (max.) 1-leaf	125 kg	120 kg	200* kg	
Leaf weight (max.) 2-leaf	2 x 125 kg	2 x 120 kg	2 x 180* kg 2 x 200** kg	
Opening / closing speed (max.)	0.8 / 0.8 m/s	0.8 / 0.8 m/s	0.8 / 0.8 m/s	
Variants				
Automatic sliding doors (standard)	•	•	•	6
Emergency exit routes (FR)	•	•	•	7
FR locked (FR-RWS)	•	•	•	7
FR with locked shop closing (FR-LL)	•	•	•	8
FR in both directions (FR-DUO)	•	•	•	8
Break-out (BO)	•			9
CO48 (France)	•	•	•	9
Burglary resistant (RC 2)	•			10
Smoke-impervious (RD)	•			10
Hermetic (HT)			•	11
Fire protection (T30)	•			11
Telescopic (SLT)	•			12
Folding (SF)	•			12
Corner sliding doors (SLV)	•			13
Inclined sliding doors (SL inclined)	•			13
Fitting				
ISO-glass fine-framed	•	•	•	
MONO-glass fine-framed	•	•	•	
ESG clamping profile		•	•	
All-glass system (GGS)	•			
Integrated all-glass system (IGG)	•			
Stainless steel			•	
On-site leaves	•	•	•	
Page	16	54	68	

• = Yes

* = max. 160 kg for FR variation, max. 120 kg for fine-framed leaves

** = increased opening and hold-open times if nec.

Note: Not all fittings can be combined with every drive variation!

Automatic sliding doors (standard)

Variety and safety

Automatic sliding door drives in particular often have to meet above-average demands in terms of functionality and economy. GEZE sliding door systems are suitable for universal use.

Automatic sliding doors from GEZE can be realised with the following drive series: Slimdrive, ECdrive and Powerdrive.

Standard sliding door



Augustinum, Stuttgart, Germany (Photo: Dirk Wilhelmy)

Application range

- Public buildings and authorities
- Businesses and car dealerships
- Shopping centres and retail
- Airports and railway stations
- Health and care sector, e.g. hospitals, pharmacies
- Hotel and restaurants
- Banks and education institutes e.g. schools, universities
- Industrial buildings
- Vestibule systems

GEZE SLIDING, TELESCOPIC AND FOLDING DOORS

Redundant sliding doors for emergency exit routes (FR)

Function maintained in the event of a power failure thanks to several different drive components

To guarantee the safety of emergency escape routes, extra redundant components are integrated into the complete system. This redundancy guarantees that in the event of a power failure or fault, the sliding door will automatically open safely in the operating modes "Automatic" and "Shop closing". In the operating mode "Night" the locking system prevents unauthorised opening of the door. There is no emergency escape function in this operating mode.

This variation can be realised using the following drive series: Slimdrive, ECdrive and Powerdrive.

FR sliding door



Kolbenschmidt Pierburg, Neckarsulm, Germany (Photo: Nikolaus Grünwald)

Redundant sliding doors for locked emergency exit routes (FR-RWS)

Additional locking with duplicate processing system and redundant emergency opening key

With the FR-RWS variation for automatic GEZE sliding doors, the door system can be adjusted by an intelligent control unit and monitored locking system in such a way that it is only possible to pass through the door on request. In the event of a power failure or other problems, the door reliably opens as part of the escape route. FR-RWS sliding doors are used particularly in airports, railway stations, nursing and care homes.

This variation can be realised using the following drive series: Slimdrive, ECdrive and Powerdrive.

FR-RWS sliding door



Cologne-Bonn airport, Germany (Photo: Martin Jakob)

GEZE SLIDING, TELESCOPIC AND FOLDING DOORS

Redundant sliding doors for emergency exit routes with locked shop closing function (FR-LL)

Protected against forced opening from the outside through permanent locking with duplicate processing

This GEZE solution allows door systems on emergency escape routes that are set in the operating mode „Shop closing“ (one-way) to be locked via the intelligent control and monitored locking system. This increases the protection of the door against unauthorised opening from the outside. This type-tested FR-LL variation is ideal for use in areas where the shop closing operating mode is to be used over a longer period. FR-LL sliding doors are used especially in banks, theatres and universities.

This variation can be realised using the following drive series: Slimdrive, ECdrive and Powerdrive.

FR-LL sliding door



Sparkasse bank, Ulm, Germany (Photo: Nikolaus Grünwald)

Redundant sliding doors for emergency exit routes in both directions (FR-DUO)

For public buildings with several emergency exit routes

This GEZE solution for special applications can be used in public buildings. Depending on how the rooms or building sections are used, escape routes in both directions are often required. The type-tested GEZE automatic sliding door can be used as an escape route door in both directions by using two monitored movement detectors on both sides. FR-DUO sliding doors are used especially in offices, airports and railways stations.

This variation can be realised using the following drive series: Slimdrive, ECdrive and Powerdrive.

FR-DUO sliding door



Cafe Luitpold, Munich, Germany (Photo: Robert Sprang)

GEZE SLIDING, TELESCOPIC AND FOLDING DOORS

Sliding doors for emergency exit routes with break-out function (BO)

Emergency opening by pivoting leaves and sides open

GEZE sliding doors with break-out function are used on emergency escape routes. The BO function allows the leaves to be pivoted open in the direction of escape – as a sliding door system with a swing fitting, so to speak. Sliding doors with BO function have pivoted side parts and are available for 1 or 2-leaf door systems. Doors with escape route requirements are used in regions where redundant drives are not recognised. They are also used in entrance areas where a large opening width is required, e.g. in car dealerships.

This variation can be realised using the following drive series: Slimdrive.

BO sliding door



Rechts der Isar Hospital of the Technical University of Munich, Germany
(Photo: Robert Sprang)

Sliding doors for emergency exit routes according to CO48 (France)

Emergency opening using elastic rope

In the event of a power failure, the door can be opened once via the built-in elastic rope. CO48 sliding doors with escape route requirement are used in France and other regions where this solution is recognised.

This variation can be realised using the following drive series: Slimdrive, ECdrive and Powerdrive.

CO48 sliding door



Hippauf & Stegmüller, Arnstorf, Germany (Photo: Robert Sprang) - exemplary picture

GEZE SLIDING, TELESCOPIC AND FOLDING DOORS

Slimdrive
ECdrive
Powerdrive

Automatic
sliding door systems

Sliding doors with burglar resistance in accordance with resistance class 2 (RC 2)

Special protection from burglary and vandalism

The burglar-resistant automatic linear sliding door system GEZE Slimdrive SL RC 2 and the emergency exit route variation SL-FR RC 2 makes burglars' lives difficult. It was specially developed for building entrances with increased security requirements. Both variations have been tested according to component resistance class 2 (RC 2) in line with DIN V ENV 1627 to 1630. This means that they can withstand attempts to be levered open using tools of the RC 2 class such as screwdrivers, pliers and wedges, and can withstand static and dynamic loads. Burglars are stopped effectively and security companies gain reaction time. RC 2 sliding doors are particularly used in banks, pharmacies, jewellers, petrol stations and IT rooms.

NOTE: The burglar-resistant function RC 2 is only enabled in „NIGHT“ mode. In „NIGHT“ mode the door does not fulfil any emergency exit requirements. It is necessary to ensure that there is nobody in the building or that sufficient other emergency exits are available.

This variation can be realised using the following drive series: Slimdrive.

RC 2 sliding door



Hycro Grand Centre, Zagreb, Croatia (Photo: Robert Les)

Smoke-proof sliding doors (RD)

Increased safety through smoke protection

Smoke-proof sliding doors from GEZE meet all smoke protection requirements and allow a wide range of versatile design possibilities, thanks in part to the 7 cm drive height of the Slimdrive product series. This sliding door system is made up of the drive and the sophisticated smoke-proof profile system. The continuous floor guide and all-round, flexible and heat-resistant seals guarantee smoke-proofness. In the event of a fire, release is via a smoke detector or external fire alarm system.

This variation can be realised using the following drive series: Slimdrive.

RD sliding door



Andels Hotel, Berlin, Germany (Photo: Stefan Dauth)

GEZE SLIDING, TELESCOPIC AND FOLDING DOORS

Fire protection sliding doors (T30)

With hold-open and release device, permanent closing in the event of a fire

Fire protection doors are used to stop fire getting through wall openings in fire-retardant walls. Fire protection doors of resistance class T30 are fire-retardant doors according to DIN 4102 and smoke-proof according to DIN 18095. The closing function is guaranteed in the event of a fire too. After the fire alarm has been raised and/or the mains supply voltage has failed, the door automatically closes by means of stored energy. The fire resistance class a door requires depends on what the building is used for and the requirements made on the wall where the door is installed. The T30 sliding door systems are offered in cooperation with partner companies.

This variation can be realised using the following drive series: Slimdrive.

T30 sliding door



Art gallery bistro, Ulm, Germany (Photo: Nikolaus Grünwald)

Telescopic sliding doors (SLT)

Perfect integration even in the narrowest of glass facades

The GEZE drives for telescopic sliding doors are ideal for narrow glass facades in post-rail structures. These sliding doors are used on 2 or 4-leaf doors and allow opening widths of up to 3600 mm. Telescopic sliding doors are also suitable for retrofitting to existing facades and are thus the number one choice for renovation and conversion work.

This variation can be realised using the following drive series: Slimdrive.

Telescopic sliding door



Robert Bosch hospital, Stuttgart, Germany (Photo: Nikolaus Grünwald)

GEZE SLIDING, TELESCOPIC AND FOLDING DOORS

Folding doors (SF)

Versatility for optimum use of space

Wherever maximum passage widths must be achieved in tight spaces, the use of automatic doors with horizontal folding door leaves is the optimum solution. The GEZE automatic folding door system, with the 7 cm drive height characteristic of the Slimdrive series, guarantees maximum passage height for conversions, for example. The low overall height of the drive makes it almost unnoticeable, yet it is highly efficient. Retrofitting to existing facades is no problem. The break axle locking ensures the door is locked safely at night.

This variation can be realised using the following drive series: Slimdrive.

Folding door



Spa hotel Fürst Pückler, Bad Muskau, Germany (Photo: Stefan Dauth)

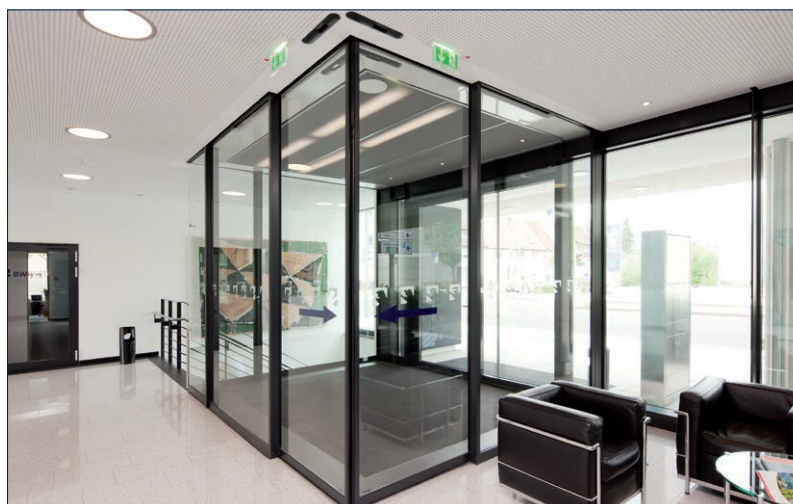
Corner sliding doors (SLV)

Freedom of design – for angles between 90° and 270°

GEZE offers the perfect technical solution for the simple movement of corner sliding doors: The Slimdrive SLV drive – with an overall height of only 7 cm of course – is used wherever a special design is required or the entrance area has to follow certain architectural requirements. The Slimdrive version SLV-FR is used, the corner sliding door can also be used in emergency exit routes.

This variation can be realised using the following drive series: Slimdrive.

Corner sliding door



Trendpark, Neckarsulm, Germany (Photo: Dirk Wilhelmy)

GEZE SLIDING, TELESCOPIC AND FOLDING DOORS

Inclined sliding doors (SL inclined)

Fancy appearance and perfect integration in inclined glass facades

The GEZE drives for inclined sliding doors are ideal for narrow glass facades in post-rail structures. These sliding doors are used on 2-leaf doors and allow opening widths of up to 2500 mm. Inclined sliding doors are framed and offer a sleek appearance in fancy application. They can be used for incline angle up to 9,9°. Larger angles are available on request.

This variation can be realised using the following drive series: Slimdrive SL inclined.

Inclined sliding door



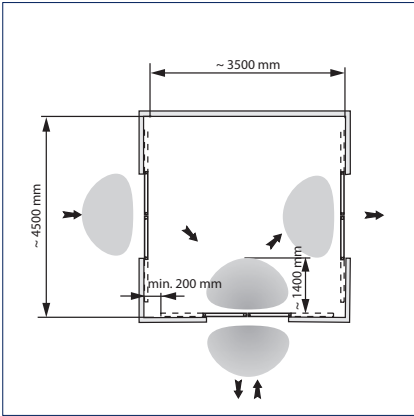
Villa Soravia, Millstatt, Kärnten, Austria (Photo: Helmut Kolaric)

Vestibule systems

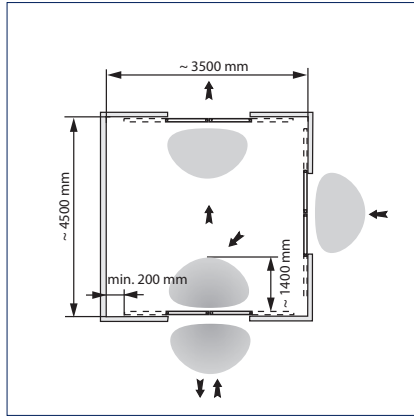
Vestibule systems are used to avoid draughts and reduce heat exchange. Preferably only one door should be opened.

Direction-detecting radar movement sensors only actuate the door when people move towards it. This means the door closes more quickly after people. A separate programme switch is compulsory for door systems in emergency exit routes.

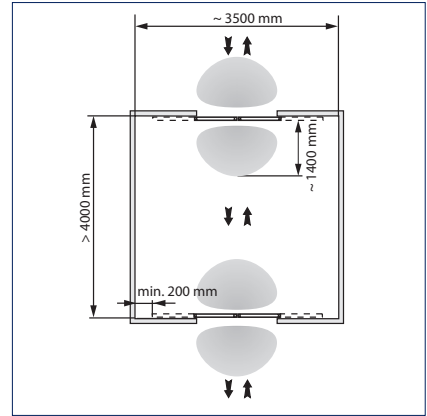
grey = Detection field



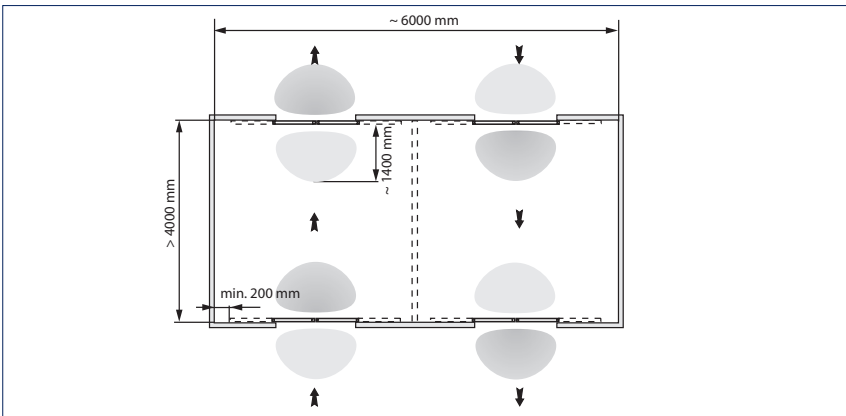
Combination example 1



Combination example 2



Combination example 3



Combination example 4

GEZE SLIDING, TELESCOPIC AND FOLDING DOORS

Special solutions

Toilets for the disabled

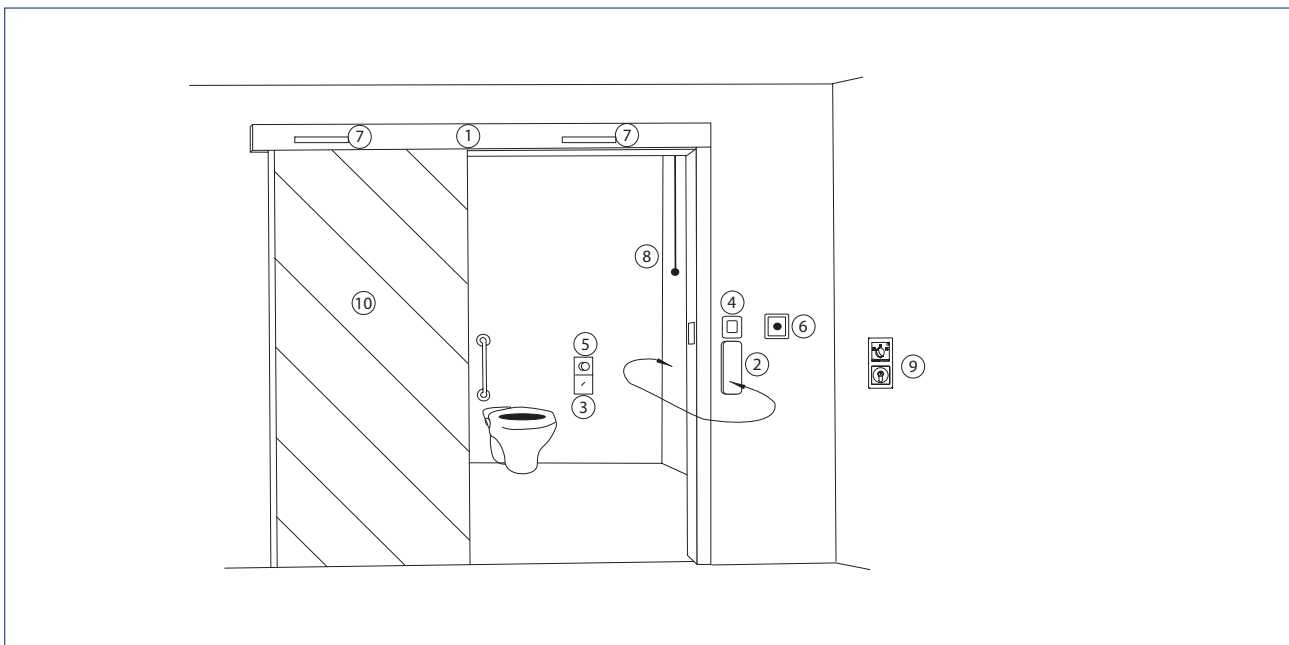
Toilets for the disabled must be designed in such a way that people with all sorts of different handicaps can use the facilities without needing help. GEZE sliding door drives provide an indispensable service for this application, and guarantee a high level of convenience.

Function description

The door opens automatically after the large-scale button on the outside of the toilet has been pressed, and closes automatically after the set hold-open time has passed.

When the user presses the switchover inside the toilet cubicle, the “occupied” sign outside the toilet is activated and the telltale lamp on the change-over switch comes on. At the same time, the large-scale button is deactivated on the outside and on the inside. This means the door cannot be opened by third parties nor by the user by mistake. When the user leaves the toilet, he presses the switchover again. The “occupied” sign outside and the telltale lamp inside both go off. The drive is actuated by pressing the large-scale OPEN DOOR button inside the cubicle, and the door opens immediately.

In the event of a power failure, the door can always be opened using the emergency open button. Light curtains monitor the passage area on the inside and outside (two units) as well as the sliding door’s travel path in the „open“ direction.



- 1 = Sliding door drive
- 2 = Large-scale OPEN DOOR button (inside and outside)
- 3 = Switchover: Lock/unlock door
- 4 = „Occupied“ indicator light
- 5 = „Occupied“ telltale lamp
- 6 = Emergency-stop switch (recommended installation height: 1600 mm)
- 7 = Light curtain
- 8 = Emergency pull switch (provided by customer)
- 9 = Programme switch with key-operated switch
- 10 = Sliding door leaf wooden leaf provided by customer, alternatively ISO/ESG fine-framed with satin-finish film

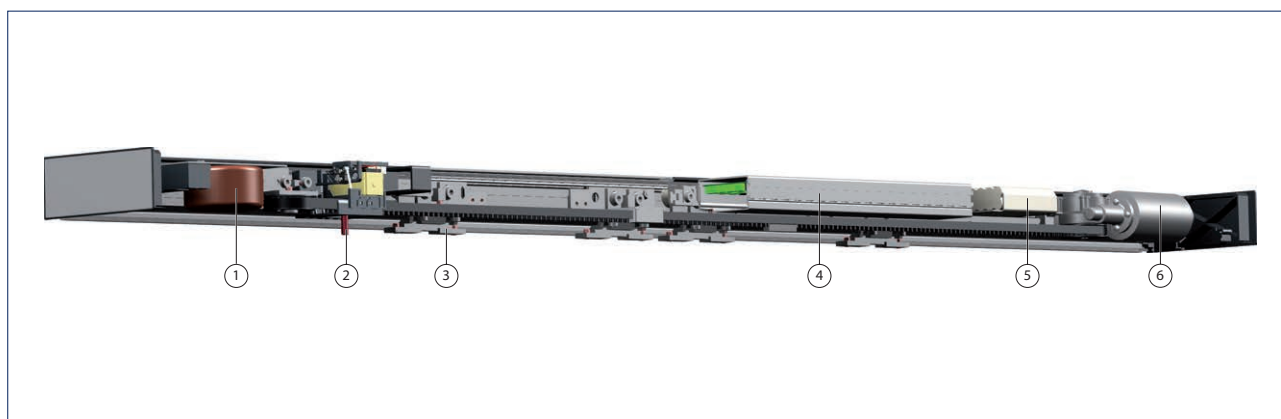
GEZE SLIMDRIVE SL NT

GEZE Slimdrive SL NT

Drive system for automatic linear sliding doors using the latest technology

Facades with slim post-rail structures seem even lighter and more inviting, and they discreetly and easily blend in with the building architecture. The new automatic sliding door system GEZE Slimdrive SL NT is idea – particularly in glass facades where large door leaves have to be moved and all components have to appear slim and delicate.

With its low drive height of only 7 cm, the Slimdrive SL NT can be integrated almost invisibly in the facade and moves door leaf weights of up to 125 kg. The new running rail makes mounting directly on the wall, facade or on cantilevered carriers easier. A new roller carriage has further optimised leaf adjustment. The standard self-cleaning roller guarantees smooth running and increases the roller carriage service life. An additional supporting roller increases steadiness.



- 1 = Transformer
- 2 = Locking
- 3 = Roller carriage
- 4 = Control
- 5 = Battery
- 6 = Motor

Drive components

Technical data	SL NT	SL NT-FR
Transformer	Ring core with fuse and main switch	
Voltage	230 V	
Frequency	50 – 60 Hz	
Capacity rating	150 W	
Locking	Toothed belt locking, electromagnetic, bi-stable	
Roller carriage		
Door leaf adjustment vertical	10 mm	
Door leaf adjustment horizontal	6 mm	
Anti-tilt protection	fitted as standard	
Self-cleaning	•	•
Control	DCU1	DCU1-2M
With fault memory	•	•
With memory for statistical data	•	•
Software update possible	•	•
Optional bus interface	•	•
Connection for fire alarm system	•	•
Power supply for peripherals	•	•
Programmable inputs	3 pc.	
Programmable outputs	2 pc.	
Battery	NiCd, 24 V, 700 mA	
Motor	Gear motor	Double gear motor
Torque	400 Ncm	

- = YES
- = NOT AVAILABLE

Technical data

Product features	SL NT	SL NT-FR
For 1-leaf door systems	•	•
For 2-leaf door systems	•	•
Height	70 mm	
Depth	190 mm	
Leaf weight (max.) 1-leaf	125 kg	
Leaf weight (max.) 2-leaf	125 kg	
Opening width 1-leaf	700 – 3000 mm	
Opening width 2-leaf	900 – 3000 mm	
Temperature range	-15 – 55 °C	
Enclosure rating	IP 20	
Disconnection from power supply	Main switch in the drive	
Opening speed (max.)	0,8 m/s	
Closing speed (max.)	0,8 m/s	
Hold-open time	0 – 60 S	
Adjustable opening and closing force (max.)	150 N	
Automatic adaptation to traffic flow	•	•
Automatic reversal when an obstacle is detected	•	•
Pharmacy opening	•	•
Lock function	•	-
Vestibule function	•	-
Automatic opening in the event of a power failure	adjustable	fitted as standard
Automatic closing in the event of a power failure	adjustable	not available
Function in the event of a power failure	adjustable for 30 min. / 30 cycles	Open
Automatic opening in the event of a fault	not available	fitted as standard
Approvals	DIN 18650BGR232 DIN EN ISO 13849: Performance Level D	DIN 18650 BGR232 DIN EN ISO 13849: Performance Level D AutSchR

- = YES
- = NOT AVAILABLE

Fitting variations

Fittings	SL NT
ISO-glass fine-framed	•
MONO-glass fine-framed	•
ESG clamping profile	-
All-glass system (GGS)	•
Integrated all-glass system (IGG)	•
Frame leaf (provided by customer)	•
Wooden leaf (provided by customer)	•
Hermetic leaf	-
Fire protection leaf T30 (Hörmann)	-

- = YES
- = NOT AVAILABLE

GEZE SLIMDRIVE SL NT

Calculations for Slimdrive SL NT

Drive length and glass dimensions

Calculation of the drive length (AL) in mm*

	Slimdrive SL NT	Slimdrive SL NT-FR**
2-leaf	$\ddot{O}W = 900 - 1000, AL = \ddot{O}W + 1100$	$\ddot{O}W = 900 - 1070, AL = \ddot{O}W + 1170$
	$\ddot{O}W = 1000 - 3000, AL = 2 \times \ddot{O}W + 100$	$\ddot{O}W = 1070 - 3000, AL = 2 \times \ddot{O}W + 100$
1-leaf, closing on the right	$\ddot{O}W = 700 - 3000, AL = 2 \times \ddot{O}W + 60$	$\ddot{O}W = 700 - 800, AL = \ddot{O}W + 860$
		$\ddot{O}W = 800 - 3000, AL = 2 \times \ddot{O}W + 60$
1-leaf, closing on the left	$\ddot{O}W = 700 - 3000, AL = 2 \times \ddot{O}W + 60$	$\ddot{O}W = 700 - 800, AL = \ddot{O}W + 860$
		$\ddot{O}W = 800 - 3000, AL = 2 \times \ddot{O}W + 60$

* Minimum overall length of the system with ISO-glass profile system

** Request drawing for the FR-RWS, FR-LL variations!

Note:

Opening widths of emergency route sliding doors < 1000 mm are only permitted in exceptional cases.

For external installations with an opening width of more than 2000 mm, a continuous floor guide is recommended.

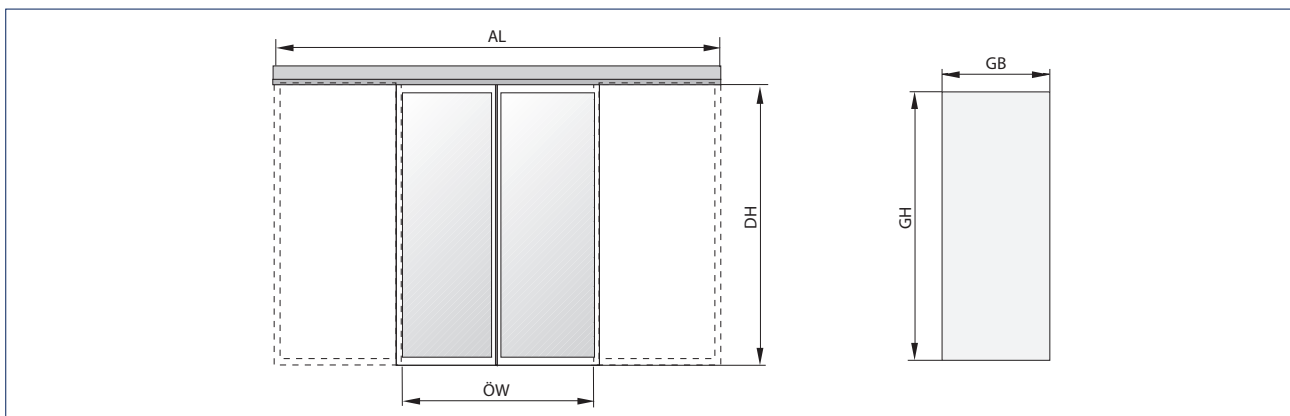
The minimum opening widths depend on the requirements of building law.

Calculation of leaf and glass dimensions in mm (ISO-glass profile system)

		ISO-glass
Leaf width	1-leaf	$\ddot{O}W + 35$
	2-leaf	$\ddot{O}W / 2 + 35$
Leaf height	1-leaf / 2-leaf	$FH = DH - 2$
Glass width	1-leaf	$\ddot{O}W$
	2-leaf	$\ddot{O}W / 2$
Glass height	1-leaf / 2-leaf	$FH - 90$
Glass thickness		22

Note:

max. leaf ratio width to height 1:4



AL = Drive length

DH = Passage height

GB = Glass width

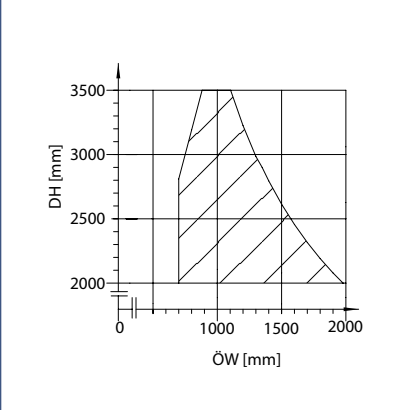
GH = Glass height

ÖW = Opening width

Areas of application for Slimdrive SL NT

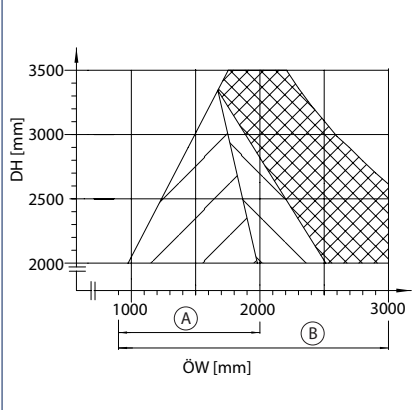
SL NT / FR with cantilever carrier, ISO glass fitting

1-leaf



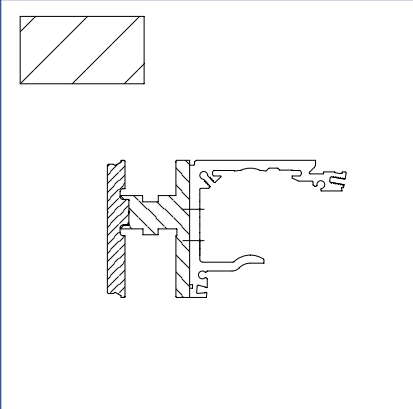
DH = Passage height
 ÖW = Opening width

2-leaf

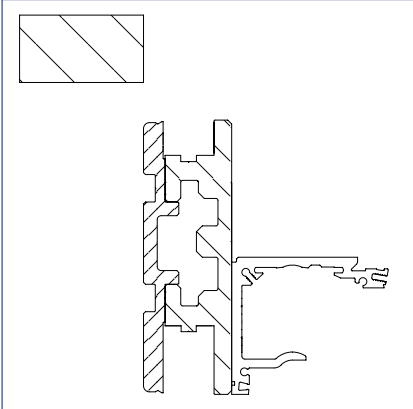


A = Outside area
 B = Inside area
 DH = Passage height
 ÖW = Opening width

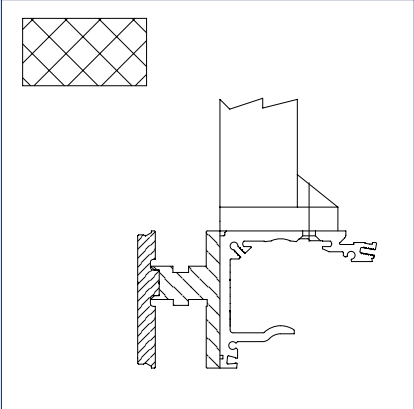
Profiles



Profile standard carrier SL NT



Additional carrier EC/SL



Profile for carrier and running rail additionally suspended from the ceiling

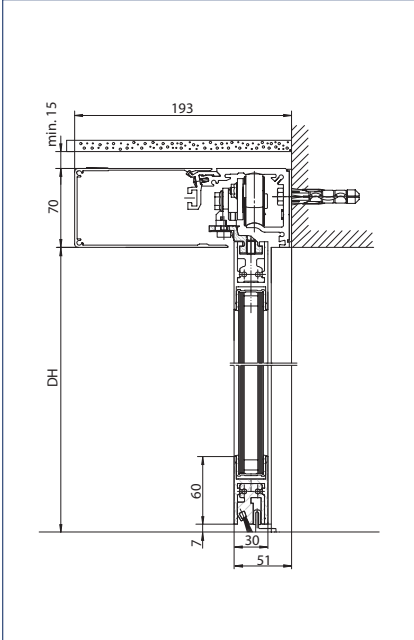
GEZE SLIMDRIVE SL NT

GEZE Slimdrive SL NT

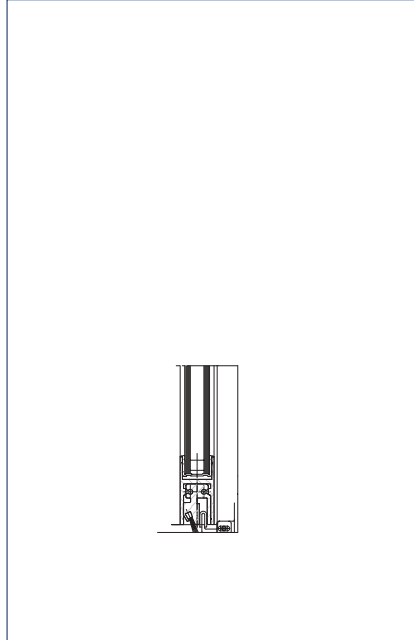
ISO/MONO-glass fitting

Door leaf

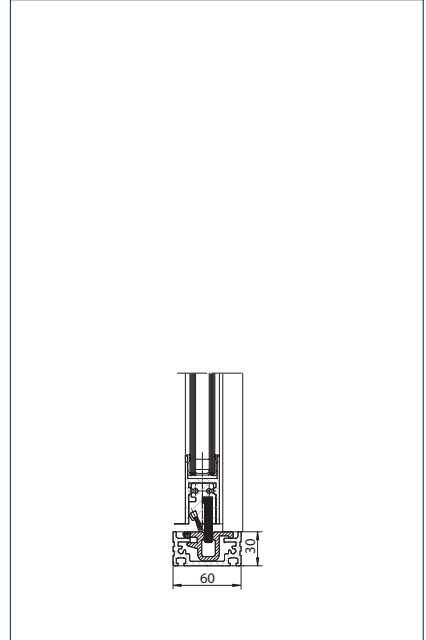
Drawing no. 70511-ep01



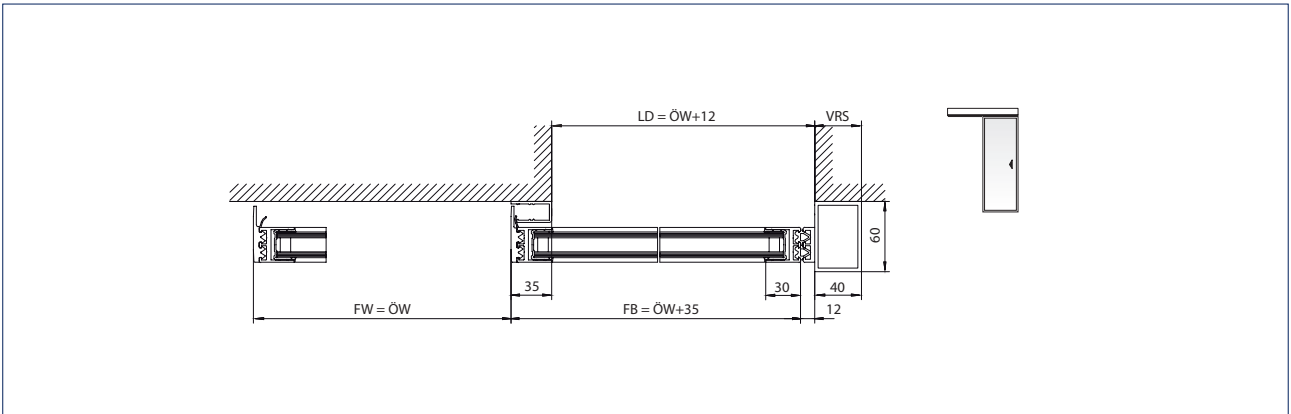
Floor guide: For floor mounting
DH = Passage height



Floor guide: Adjustable for wall mounting



Floor guide: Continuous



1-leaf door system

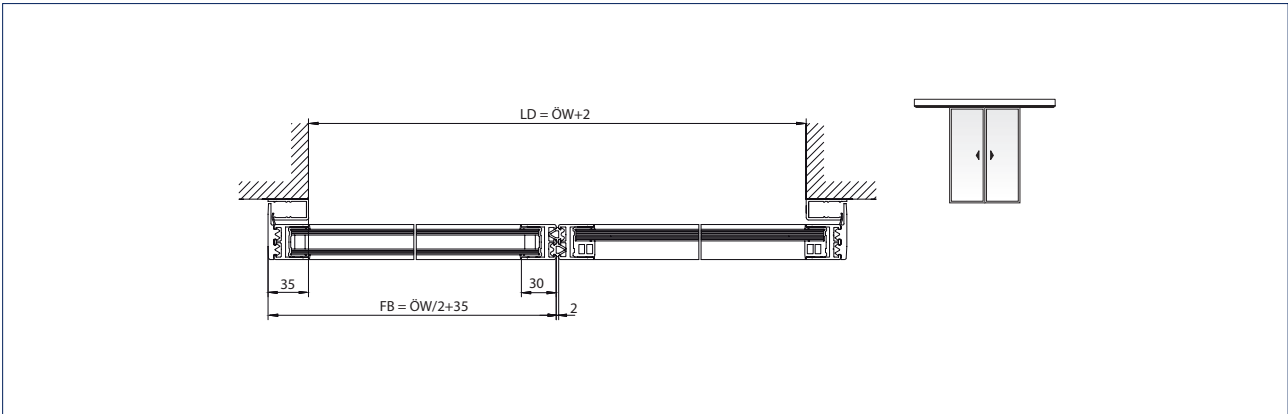
LD = Clear passage

FW = Travel path

FB = Leaf width

ÖW = Opening width

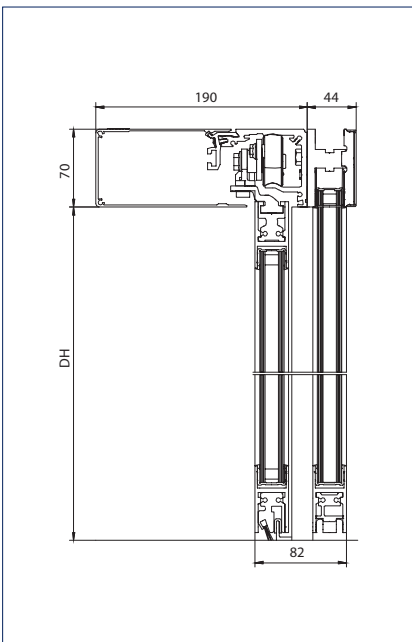
VRS = Drive extension right



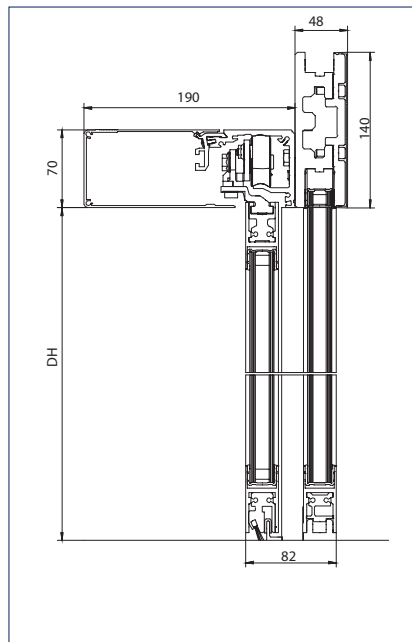
2-leaf door system
 LD = Clear passage
 FB = Leaf width
 ÖW = Opening width

Door leaf and side parts

Drawing nos. 70511-ep02 + 70511-ep04



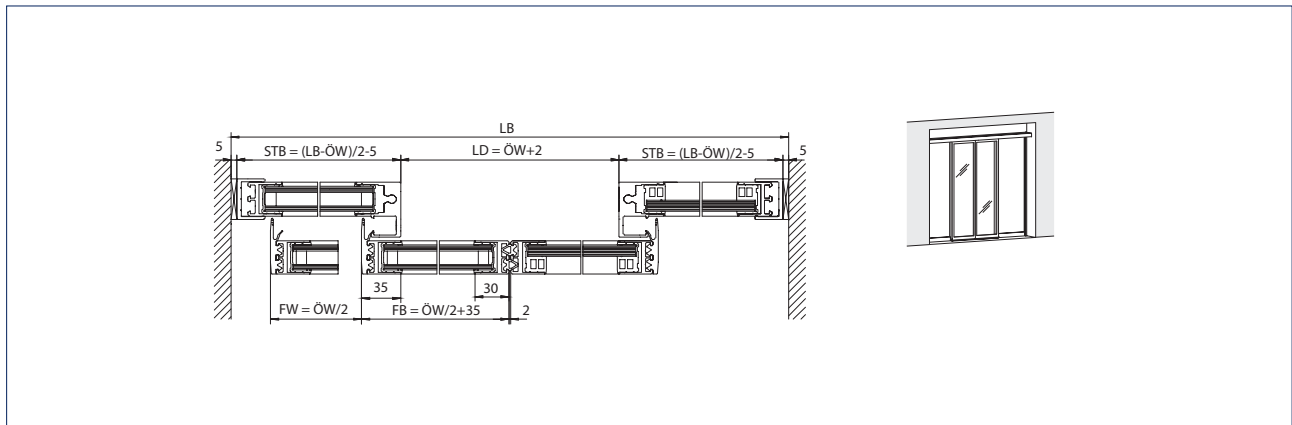
Low cantilevered carrier
 DH = Passage height



High cantilevered carrier
 DH = Passage height

GEZE SLIMDRIVE SL NT

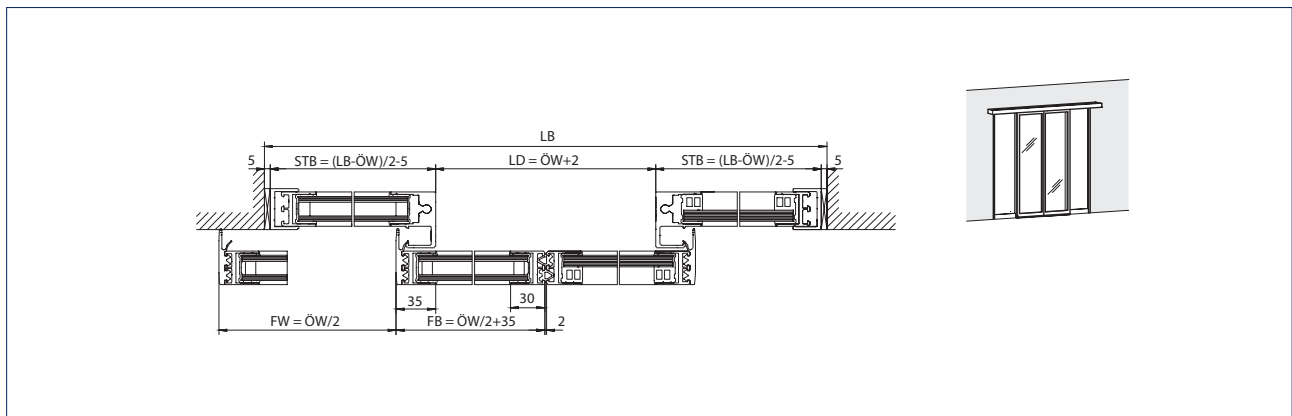
Note: See installation drawing for area of application



Installation: Cantilevered installation

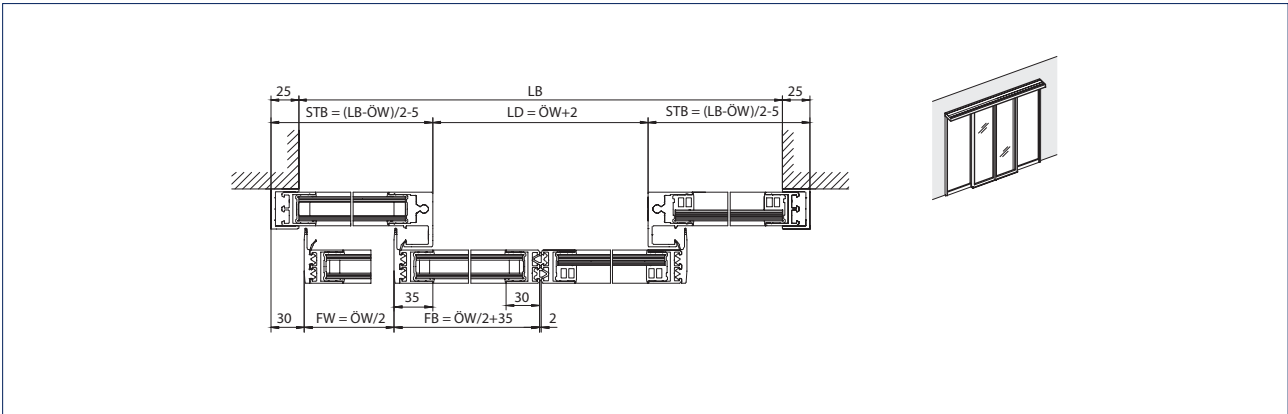
LB = Clear overall width
 STB = Width of side parts
 LD = Clear passage
 FW = Travel path
 FB = Leaf width
 ÖW = Opening width

Note: See installation drawing for area of application



Installation: Wall mounting with longer drive and carrier between the walls

LB = Clear overall width
 STB = Width of side parts
 LD = Clear passage
 FW = Travel path
 FB = Leaf width
 ÖW = Opening width



Installation: Wall mounting

LB = Clear overall width

STB = Width of side parts

LD = Clear passage

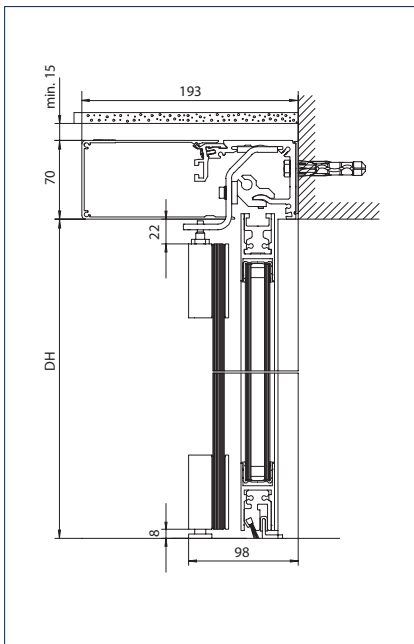
FW = Travel path

FB = Leaf width

$\ddot{O}W$ = Opening width

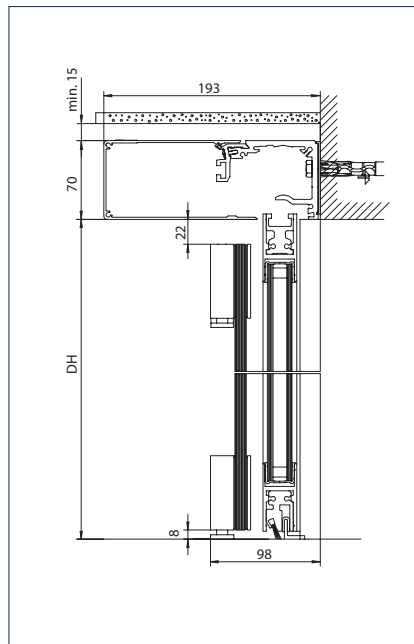
Door leaf and protective door leaf

Drawing no. 70511-ep07



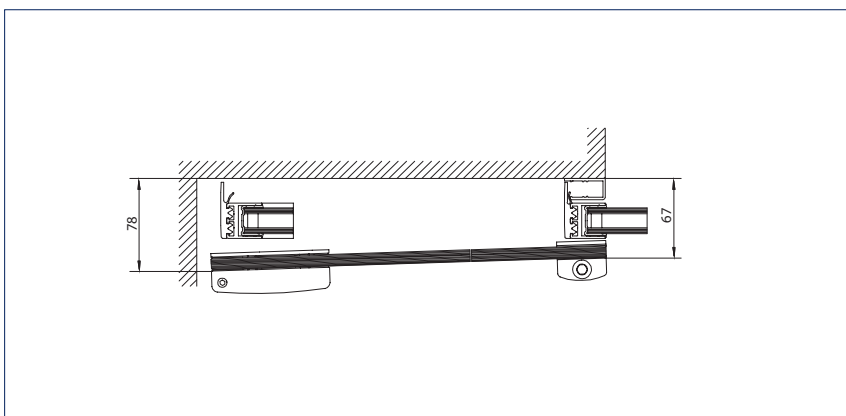
Protective door leaf: Drive installation

DH = Passage height



Protective door leaf: Wall mounting

DH = Passage height



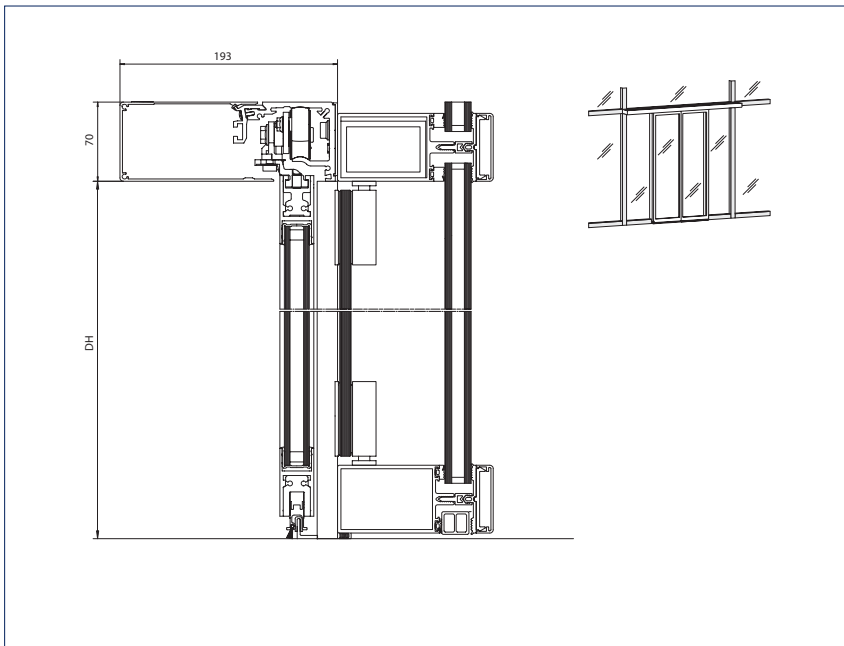
Protective door leaf

GEZE SLIMDRIVE SL NT

Door leaf and safety leaf

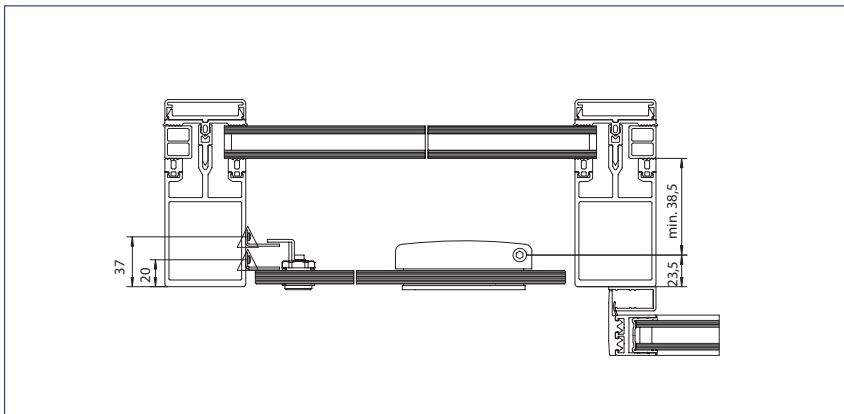
Drawing no. 70511-ep03

Note: See installation drawing for area of application



Installation: To post-rail structure with safety leaf

DH = Passage height



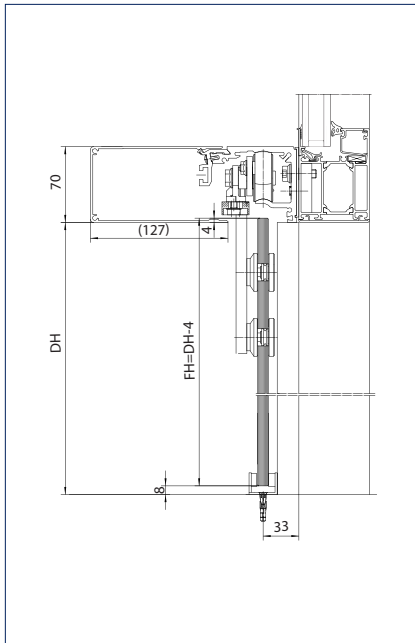
Installation: To post-rail structure with safety leaf

GEZE Slimdrive SL NT

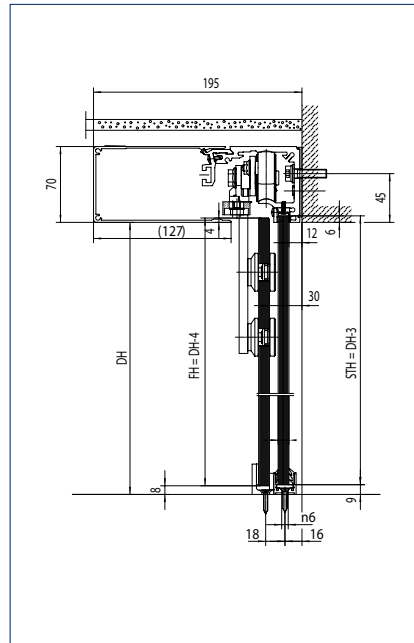
All-glass system (GGS)

Door leaf and side parts

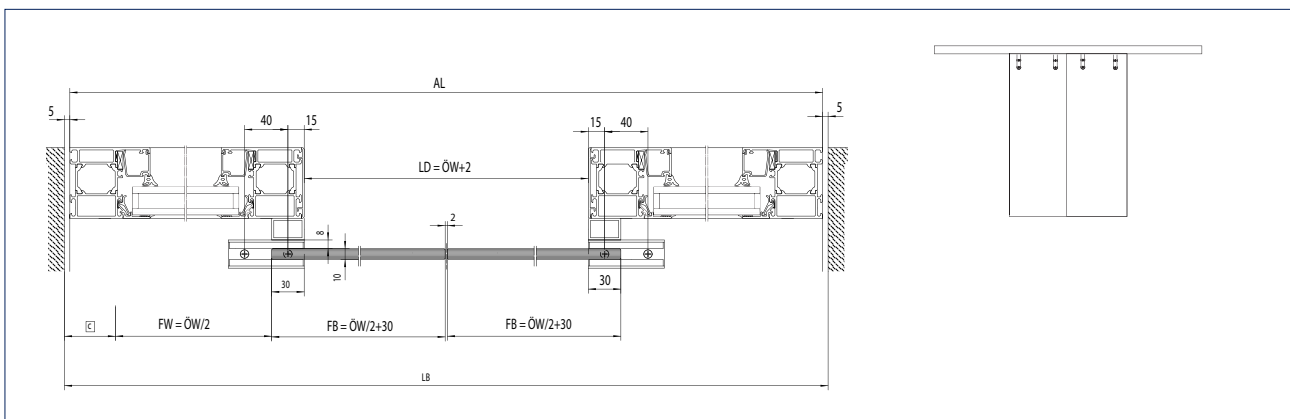
Drawing no. 70511-ep06



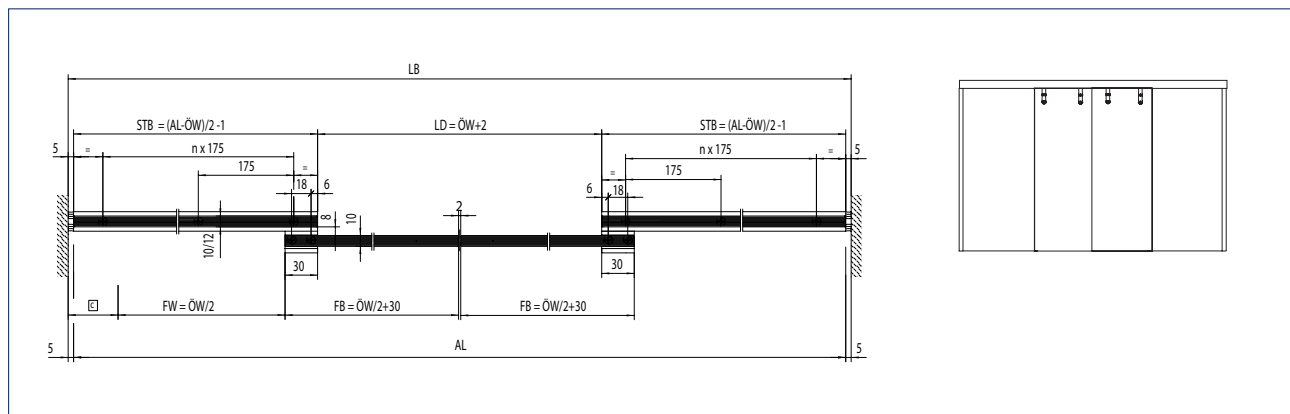
Door leaf
 DH = Passage height



Door leaf and side parts
 DH = Passage height
 FH = Leaf height
 STH = Width of side parts



2-leaf door system with door leaf
 AL = Drive length
 LB = Clear overall width
 FW = Travel path
 LD = Clear passage
 FB = Leaf width
 ÖW = Opening width



2-leaf door system with door leaf and side parts
 STB = Width of side parts

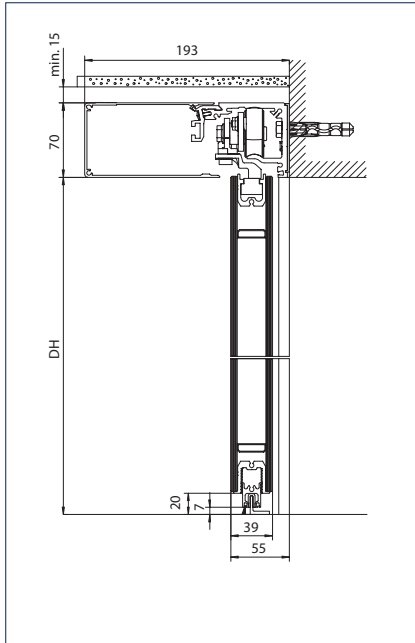
GEZE SLIMDRIVE SL NT

GEZE Slimdrive SL NT

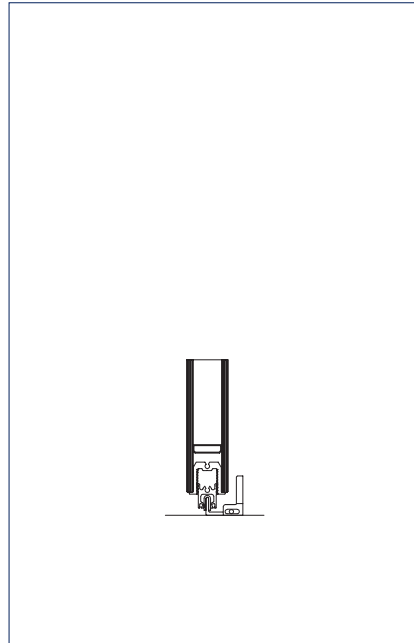
Integrated all-glass system (IGG)

Door leaf and side parts

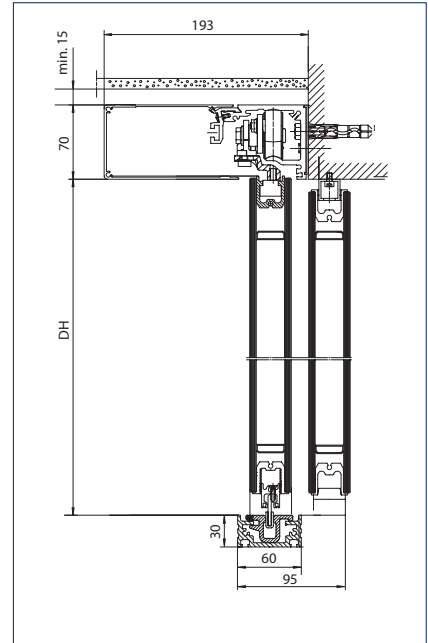
Drawing no. 70511-ep05



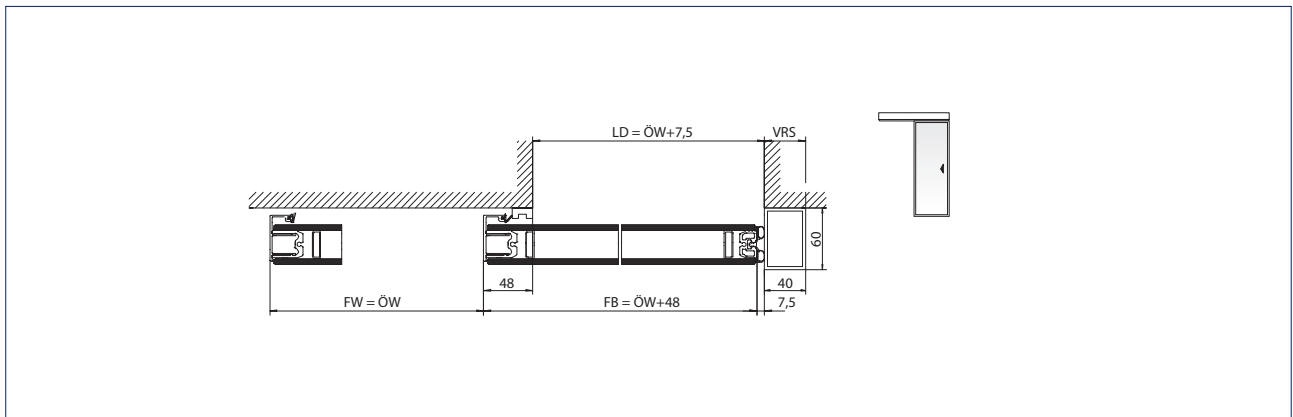
Floor guide: For floor mounting
DH = Passage height



Floor guide: Adjustable for wall mounting

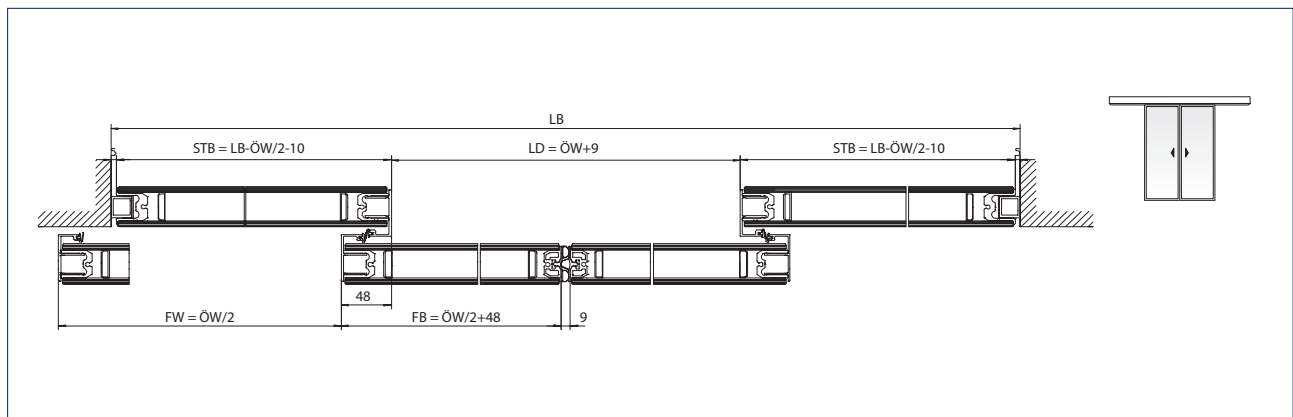


Floor guide: Continuous
DH = Passage height



1-leaf door system
LD = Clear passage
FW = Travel path

FB = Leaf width
ÖW = Opening width
VRS = Drive extension right



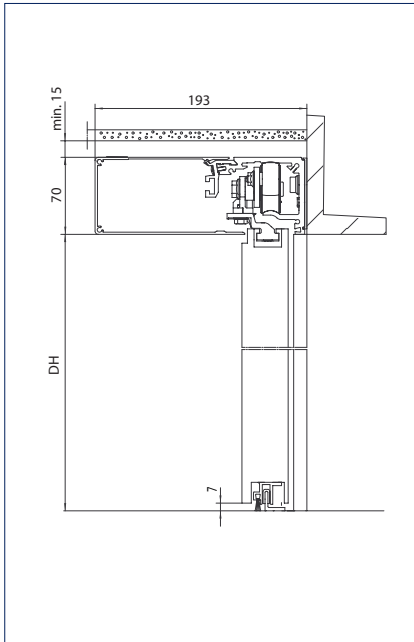
2-leaf door system

LB = Clear overall width
STB = Width of side parts

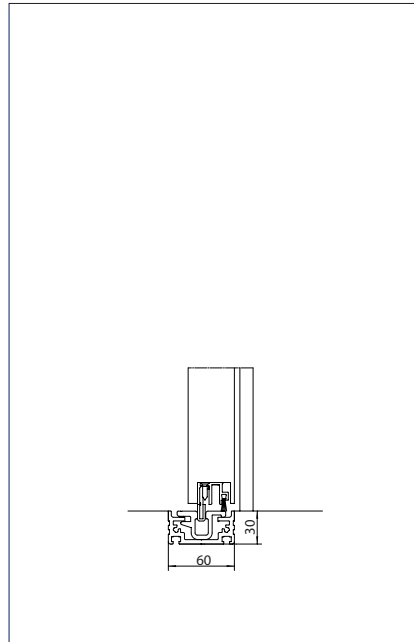
GEZE Slimdrive SL NT

Wooden leaves

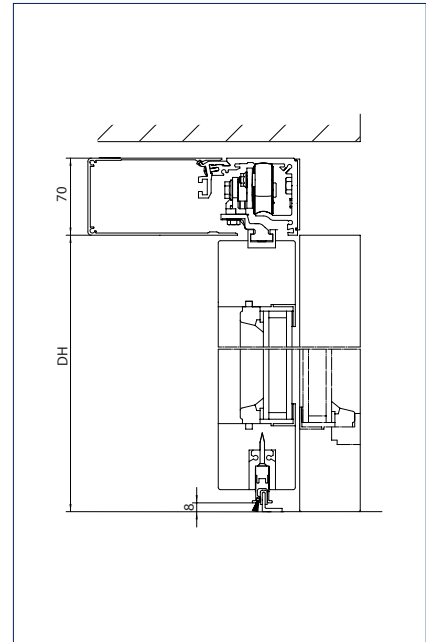
Drawing no. 70511-ep08



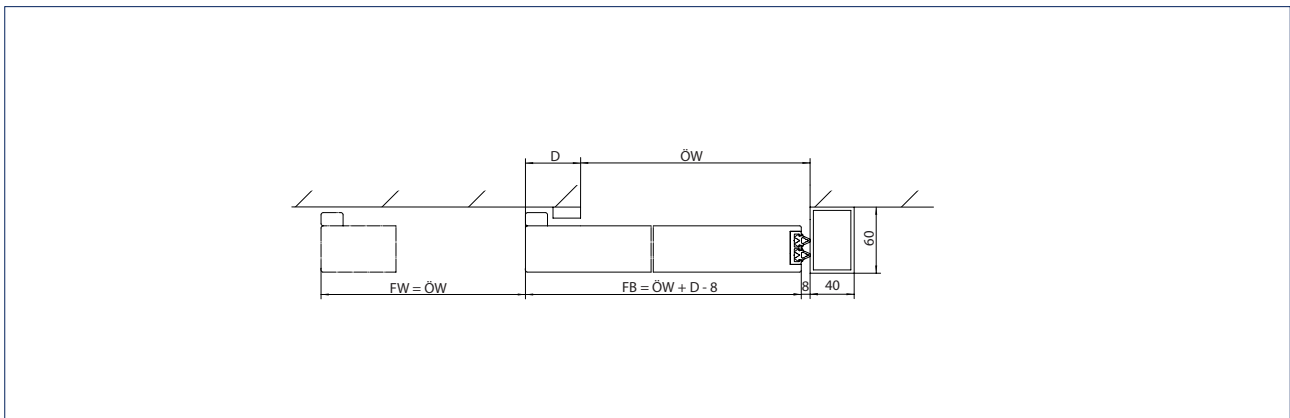
Installation variant for slimmer wooden leaves and floor guide for floor mounting
 DH = Passage height



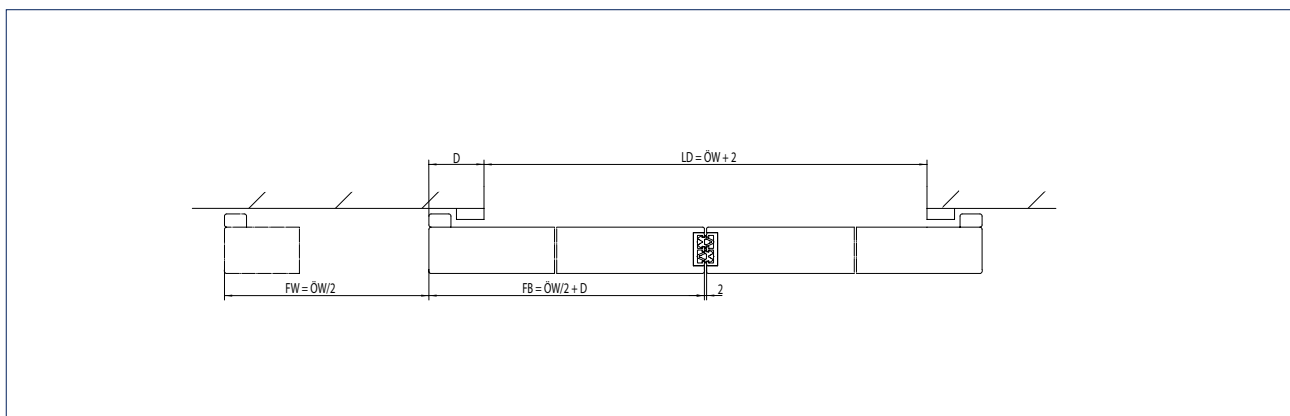
Alternatively with continuous floor guide



Installation variant for thicker wooden leaves and floor guide for floor mounting
 DH = Passage height



1-leaf door system
 D = Projection
 FB = Leaf width
 FW = Travel path
 ÖW = Opening width



2-leaf door system

GEZE SLIMDRIVE SL

GEZE Slimdrive SL

Drive system for automatic linear sliding doors

The Slimdrive SL conceals a powerful drive system for automatic sliding doors in a unit only 7 cm high. It blends elegantly in with post-rail structures. Large opening widths can be achieved with the Slimdrive SL. The drive disappears in the facade, bestowing transparency and an aesthetic appearance. Bolt false edges and cross-bar profiles are things of the past. The Slimdrive SL makes large passage heights possible.



- 1 = Transformer
- 2 = Locking
- 3 = Roller carriage
- 4 = Control
- 5 = Battery
- 6 = Motor

Drive components

Technical data	SL	SL-FR
Transformer	Ring core with fuse and main switch	
Voltage	230 V	
Frequency	50 – 60 Hz	
Capacity rating	150 W	
Locking	Toothed belt locking, electromagnetic, bi-stable	
Roller carriage		
Door leaf adjustment vertical	7 mm	
Door leaf adjustment horizontal	7 mm	
Anti-tilt protection	Optional	
Self-cleaning	-	-
Control	DCU1	DCU1-2M
With fault memory	•	•
With memory for statistical data	•	•
Software update possible	•	•
Optional bus interface	•	•
Connection for fire alarm system	•	•
Power supply for peripherals	•	•
Programmable inputs	3 pc.	
Programmable outputs	2 pc.	
Battery	NiCd, 24 V, 700 mA	
Motor	Gear motor	Double gear motor
Torque	400 Ncm	

• = YES
 - = NOT AVAILABLE

Technical data

Product features	SL	SL-FR
For 1-leaf door systems	•	•
For 2-leaf door systems	•	•
Height	70 mm	
Depth	189 mm	
Leaf weight (max.) 1-leaf	120 kg	
Leaf weight (max.) 2-leaf	120 kg	
Opening width 1-leaf	700 – 3000 mm	
Opening width 2-leaf	900 – 3000 mm	
Temperature range	-15 – 55 °C	
Enclosure rating	IP 20	
Disconnection from power supply	Main switch in the drive	
Opening speed (max.)	0,8 m/s	
Closing speed (max.)	0,8 m/s	
Hold-open time	0 – 60 S	
Adjustable opening and closing force (max.)	150 N	
Automatic adaptation to traffic flow	•	•
Automatic reversal when an obstacle is detected	•	•
Pharmacy opening	•	•
Lock function	•	-
Vestibule function	•	-
Automatic opening in the event of a power failure	adjustable	fitted as standard
Automatic closing in the event of a power failure	adjustable	not available
Function in the event of a power failure	adjustable for 30 min. / 30 cycles	Open
Automatic opening in the event of a fault	not available	fitted as standard
Approvals	DIN 18650 BGR232 DIN EN ISO 13849: Performance Level D	DIN 18650 BGR232 DIN EN ISO 13849: Performance Level D AutSchR

- = YES
- = NOT AVAILABLE

Fitting variations

Fittings	SL
ISO-glass fine-framed	•
MONO-glass fine-framed	•
ESG clamping profile	-
All-glass system (GGS)	•
Integrated all-glass system (IGG)	•
Frame leaf (provided by customer)	•
Wooden leaf (provided by customer)	•
Hermetic leaf	-
Fire protection leaf T30 (Hörmann)	•

- = YES
- = NOT AVAILABLE

GEZE SLIMDRIVE SL

Calculations for Slimdrive SL

Drive length and glass dimensions

Calculation of drive length AL in mm*

	Slimdrive SL	Slimdrive SL-FR**	Slimdrive SL-GGS
2-leaf	$\ddot{O}W = 900 - 1100, AL = \ddot{O}W + 1100$	$\ddot{O}W = 900 - 1000, AL = \ddot{O}W + 1100$	$\ddot{O}W = 1200 - 3000, AL = 2 \times \ddot{O}W + 200$
	$\ddot{O}W = 1000 - 3000, AL = 2 \times \ddot{O}W + 100$	$\ddot{O}W = 1000 - 3000, AL = 2 \times \ddot{O}W + 100$	
1-leaf, closing on the right	$\ddot{O}W = 700 - 3000, AL = 2 \times \ddot{O}W + 50$	$\ddot{O}W = 700 - 800, AL = \ddot{O}W + 850$	$\ddot{O}W = 700 - 1500, AL = 2 \times \ddot{O}W + 320$
		$\ddot{O}W = 800 - 2000, AL = 2 \times \ddot{O}W + 50$	
1-leaf, closing on the left	$\ddot{O}W = 700 - 3000, AL = 2 \times \ddot{O}W + 50$	$\ddot{O}W = 700 - 800, AL = \ddot{O}W + 850$	$\ddot{O}W = 700 - 1500, AL = 2 \times \ddot{O}W + 380$
		$\ddot{O}W = 800 - 2000, AL = 2 \times \ddot{O}W + 50$	

* Minimum overall length of the system with ISO-glass profile system

** Request drawing for FR variations (FR-RWS, FR-LL)!

Note:

Opening widths of emergency route sliding doors < 1000 mm are only permitted in exceptional cases.

For external installations with an opening width of more than 2000 mm, a continuous floor guide is recommended.

The minimum opening widths depend on the requirements of building law.

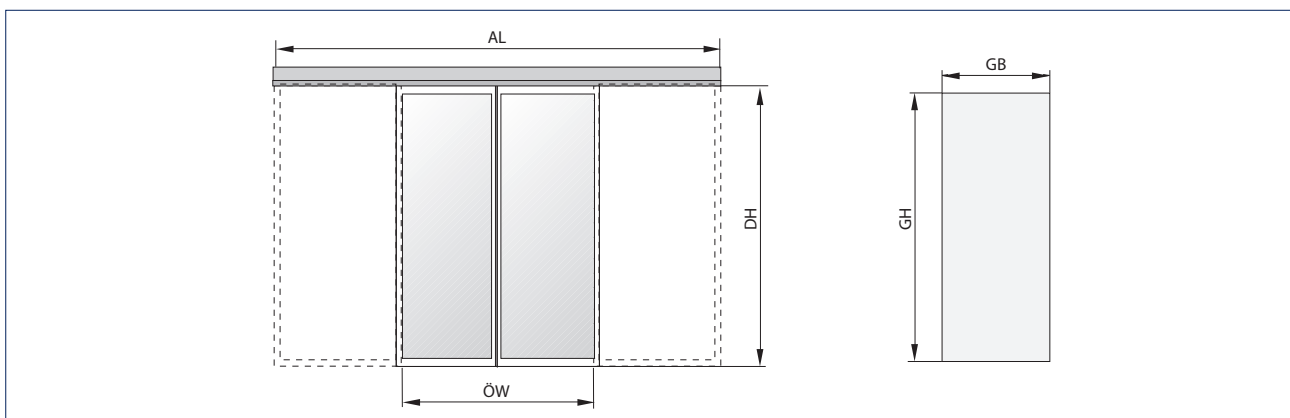
Calculation of leaf and glass dimensions in mm (ISO-glass profile system)

		ISO-glass with Alu-NSK	ISO-glass with rubber-NSK
Leaf width	1-leaf	$\ddot{O}W + 40$	$\ddot{O}W + 35$
	2-leaf	$\ddot{O}W / 2 + 40$	$\ddot{O}W / 2 + 35$
Leaf height	1-leaf / 2-leaf	DH - 17	DH - 17
Glass width	1-leaf	$\ddot{O}W$	$\ddot{O}W$
	2-leaf	$\ddot{O}W / 2^*$	$\ddot{O}W / 2$
Glass height	1-leaf / 2-leaf	FH - 90	FH - 90
Glass thickness		22	22

* In connection with rod locking, the glass width = $\ddot{O}W / 2 - 20$ mm, NSK = secondary closing edge

Note:

max. leaf ratio width to height 1:4



AL = Drive length

DH = Passage height

GB = Glass width

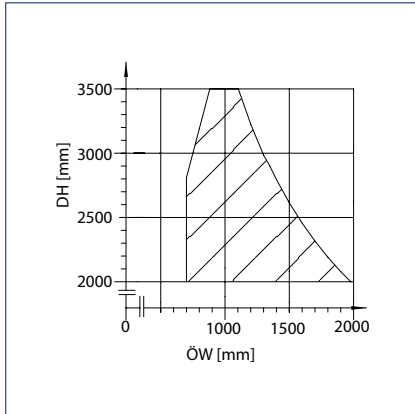
GH = Glass height

ÖW = Opening width

Areas of application for Slimdrive SL

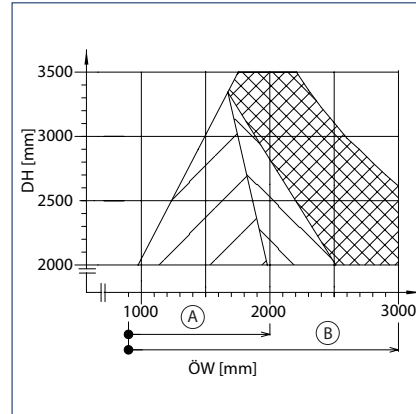
Cantilever carrier Slimdrive SL

1-leaf



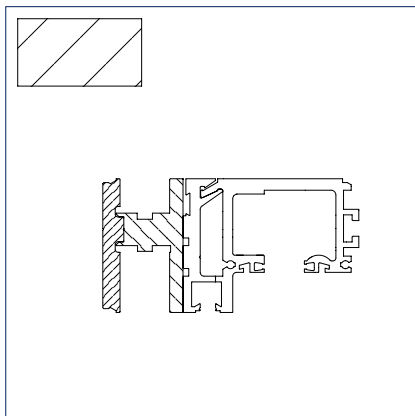
DH = Passage height
 ÖW = Opening width

2-leaf

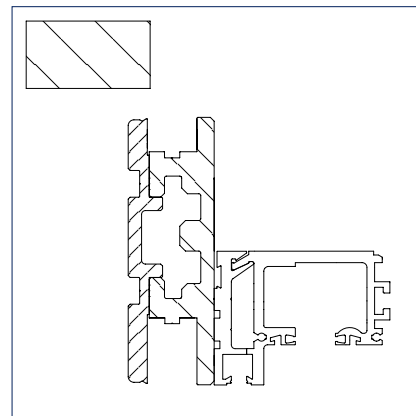


A = Outside area
 B = Inside area
 DH = Passage height
 ÖW = Opening width

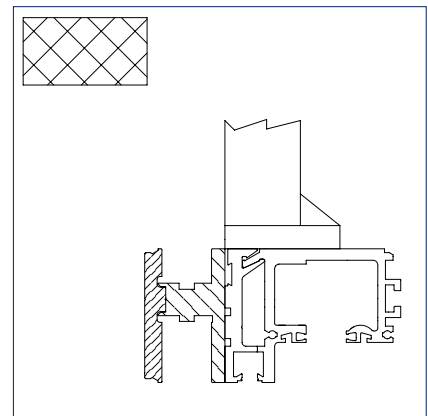
Profiles



Standard carrier SL



Additional carrier EC/SL



Carrier and running rail additionally suspended from the ceiling

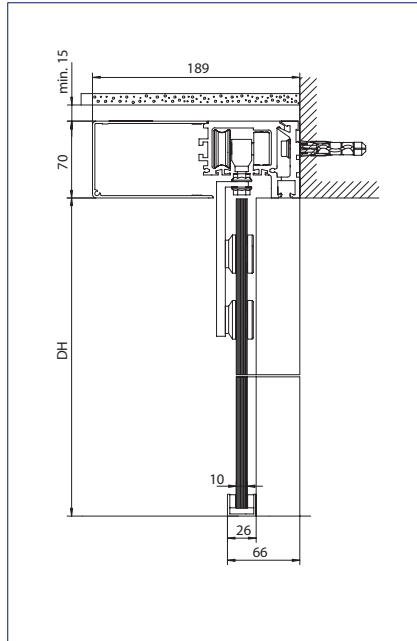
GEZE SLIMDRIVE SL

GEZE Slimdrive SL

All-glass system (GGS)

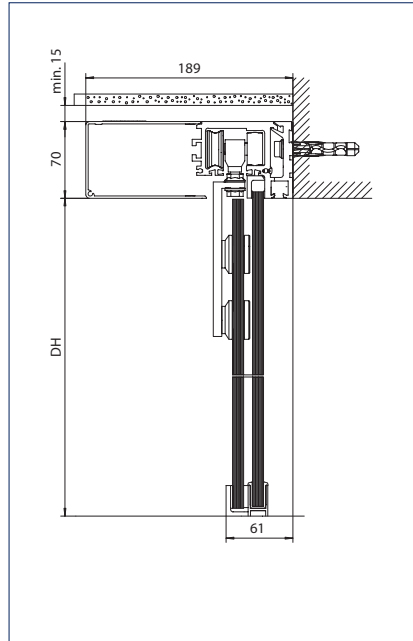
Door leaf and side parts

Drawing no. 70484-ep45



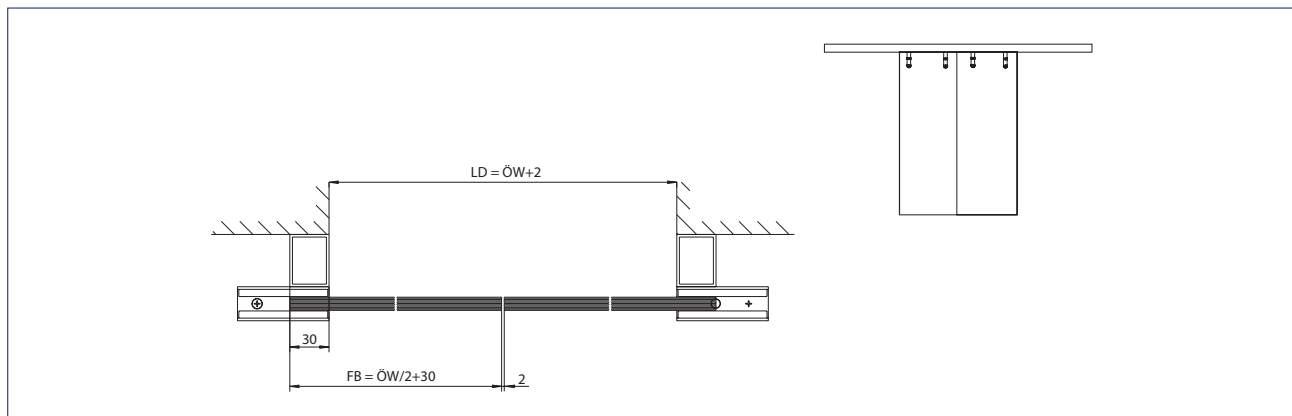
Door leaf

DH = Passage height



Door leaf and side parts

DH = Passage height

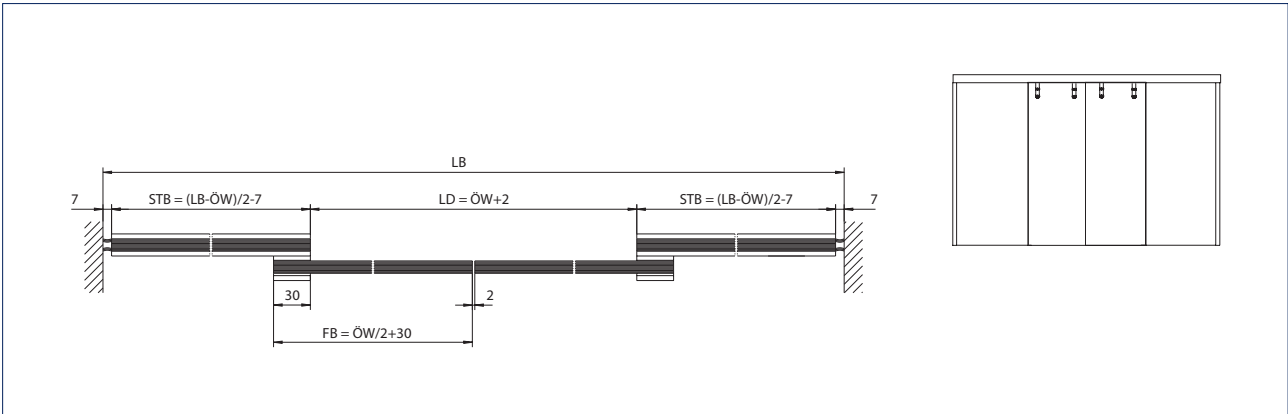


2-leaf door system with door leaf

LD = Clear passage

FB = Leaf width

ÖW = Opening width



2-leaf door system with door leaf and side parts

LB = Clear overall width

STB = Width of side parts

LD = Clear passage

FB = Leaf width

ÖW = Opening width



GEZE SLIMDRIVE SL

Calculations for Slimdrive SL RC 2

Drive length and glass dimensions

Calculation of the drive length AL in mm*

	Slimdrive SL RC 2	Slimdrive SL-FR RC 2**
2-leaf	$\ddot{O}W = 900 - 1000, AL = \ddot{O}W + 1100$	$\ddot{O}W = 900 - 1000, AL = \ddot{O}W + 1100$
	$\ddot{O}W = 1000 - 3000, AL = 2 \times \ddot{O}W + 100$	$\ddot{O}W = 1000 - 3000, AL = 2 \times \ddot{O}W + 100$
1-leaf closing on the right	$\ddot{O}W = 800 - 3000, AL = 2 \times \ddot{O}W + 120$	$\ddot{O}W = 800 - 870, AL = \ddot{O}W + 990$
		$\ddot{O}W = 870 - 3000, AL = 2 \times \ddot{O}W + 120$
1-leaf closing on the left	$\ddot{O}W = 800 - 3000, AL = 2 \times \ddot{O}W + 120$	$\ddot{O}W = 800 - 820, AL = \ddot{O}W + 940$
		$\ddot{O}W = 820 - 3000, AL = 2 \times \ddot{O}W + 120$

* Minimum overall length of the system with ISO-glass profile system

** Request drawing for FR variations (FR-RWS, FR-LL)!

Note:

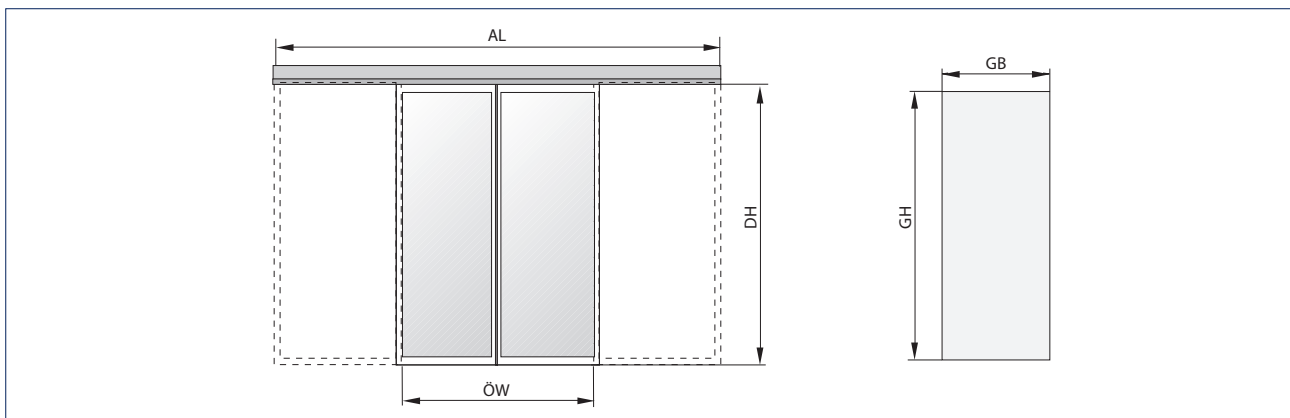
Opening widths of emergency route sliding doors < 1000 mm are only permitted in exceptional cases. The minimum opening widths depend on the requirements of building law.

Calculation of leaf and glass dimensions in mm (ISO-glass profile system)

ISO-glass (according to RC 2)		
Leaf width	1-leaf	$\ddot{O}W / + 40$
	2-leaf	$\ddot{O}W / 2 + 40$
Leaf height	1-leaf / 2-leaf	DH - 17
Glass width	1-leaf	$\ddot{O}W - 20$
	2-leaf	$\ddot{O}W / 2 - 20$
Glass height	1-leaf / 2-leaf	FH - 90
Glass thickness	1-leaf / 2-leaf	max. 23,5

Note:

max. leaf ratio width to height 1:4



AL = Drive length
 DH = Passage height
 GB = Glass width
 GH = Glass height
 ÖW = Opening width

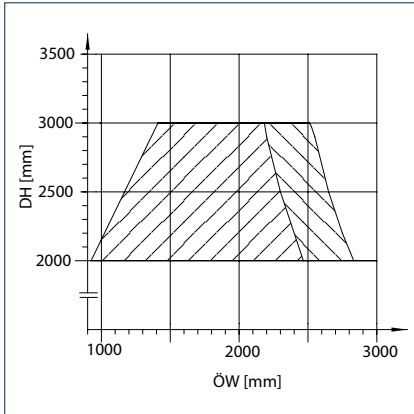
Note:

The burglar-resistant function RC 2 is only enabled in „NIGHT“ mode. In „NIGHT“ mode the door does not fulfil any emergency exit requirements. It is necessary to ensure that there is nobody in the building or that sufficient other emergency exits are available.

Areas of application Slimdrive SL RC 2

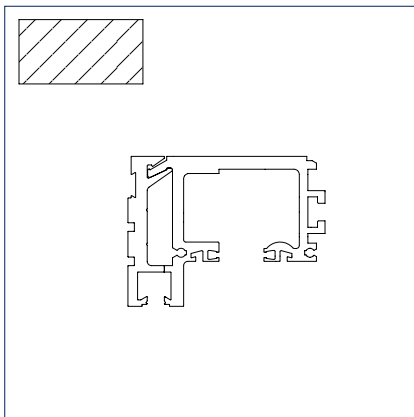
Slimdrive SL/-FR RC 2

1 and 2-leaf

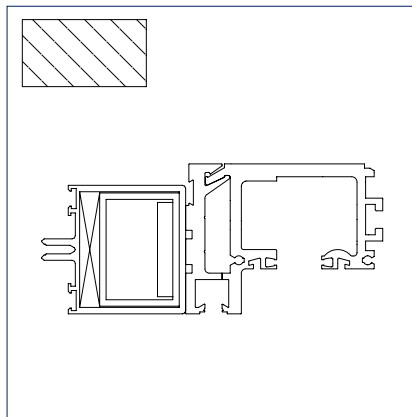


DH = Passage height
 ÖW = Opening width

Profiles



Standard area of application



Extended area of application with bolt reinforcement (steel tube) in the passage area (provided by customer).

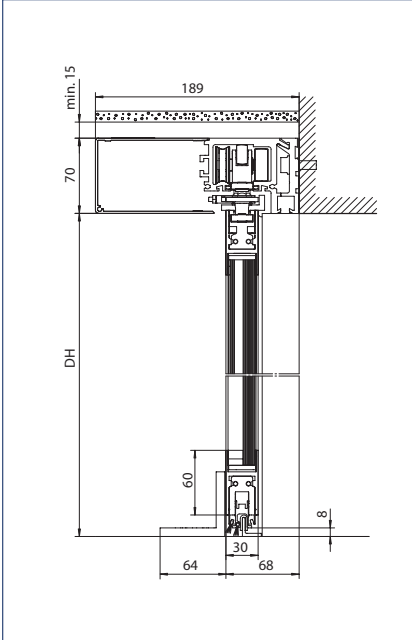
GEZE SLIMDRIVE SL

GEZE Slimdrive SL RC 2

ISO/MONO-glass fitting

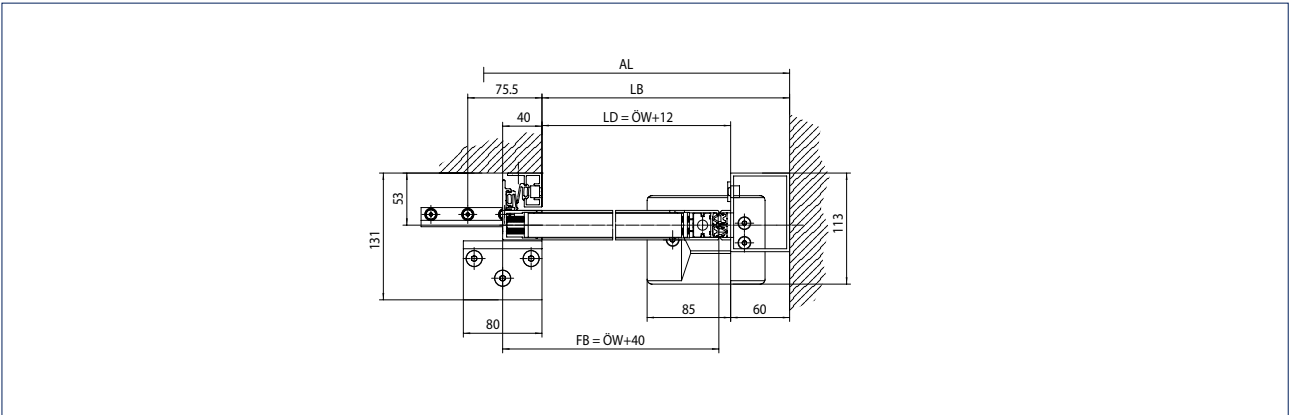
Door leaf

Drawing no. 70484-ep-46/47



Floor guide: Pointwise with reinforced supporting bracket

DH = Passage height



1-leaf door system

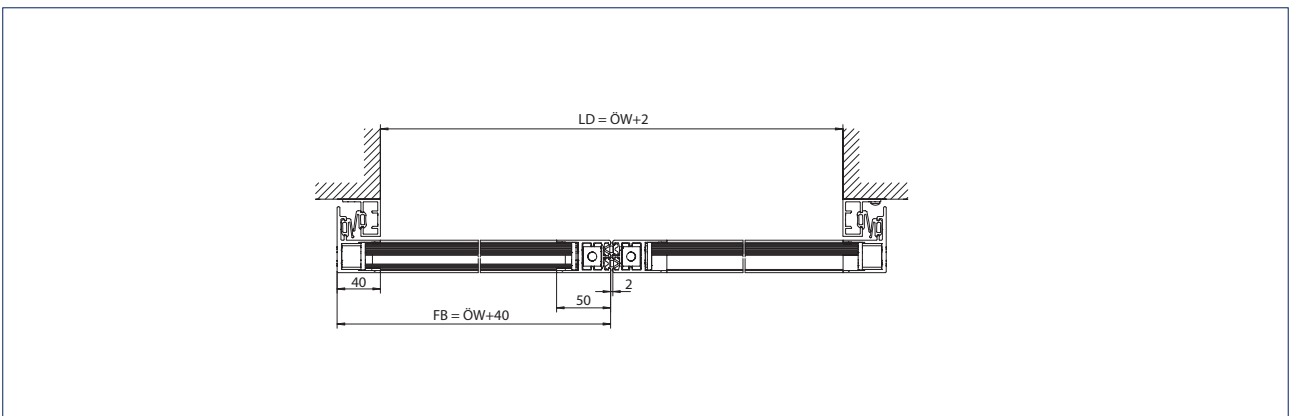
AL = Drive length

LB = Clear overall width

LD = Clear passage

FB = Leaf width

ÖW = Opening width

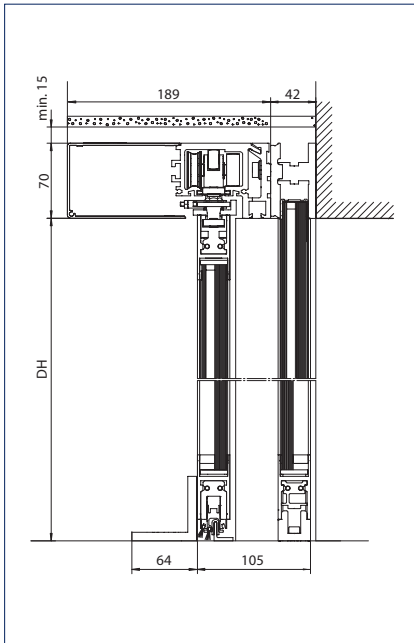


2-leaf door system

Door leaf and side parts

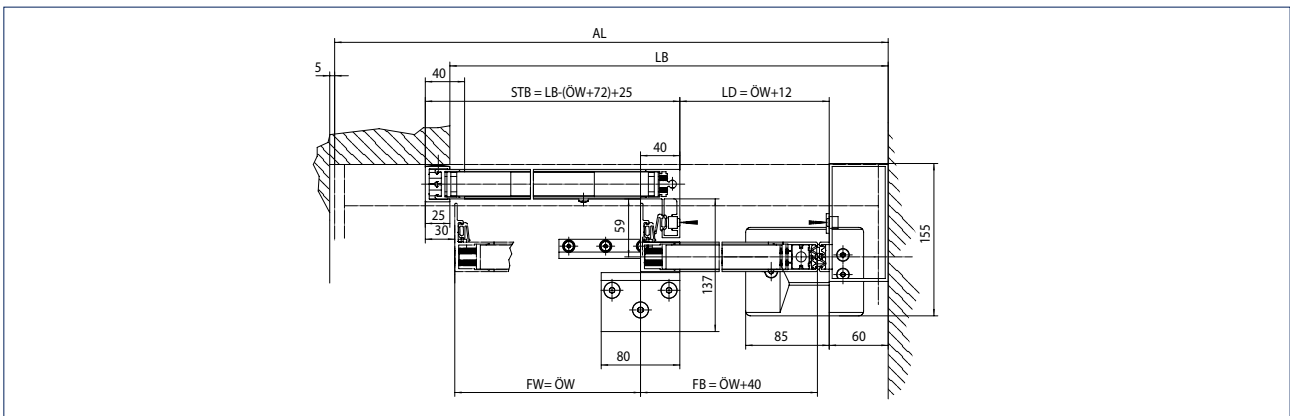
Drawing no. 70484-ep-46

Note: See installation drawing for area of application



Floor guide: Pointwise with reinforced supporting bracket

DH = Passage height



1-leaf door system

AL = Drive length

FB = Leaf width

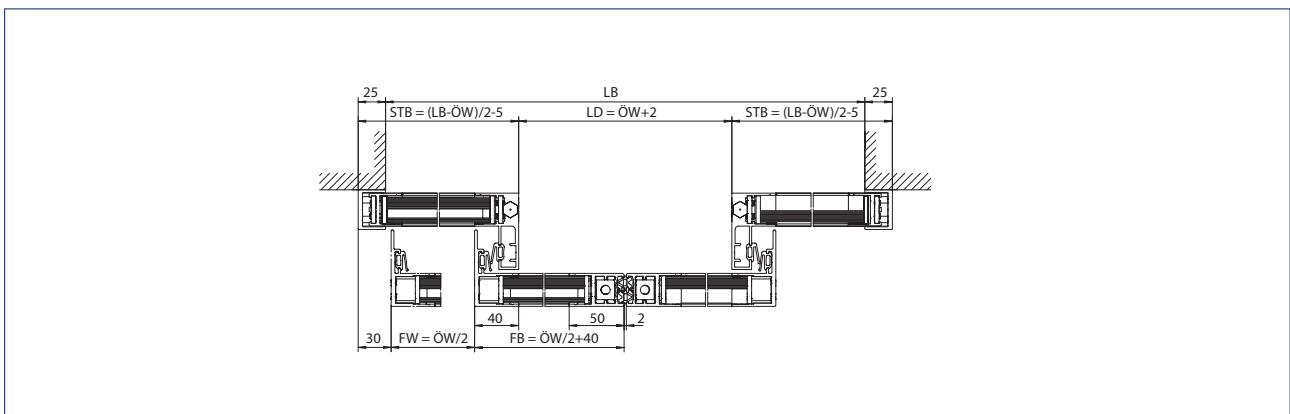
FW = Travel path

LB = Clear overall width

LD = Clear passage

ÖW = Opening width

STB = Width of side parts



Installation: Wall mounting with side parts

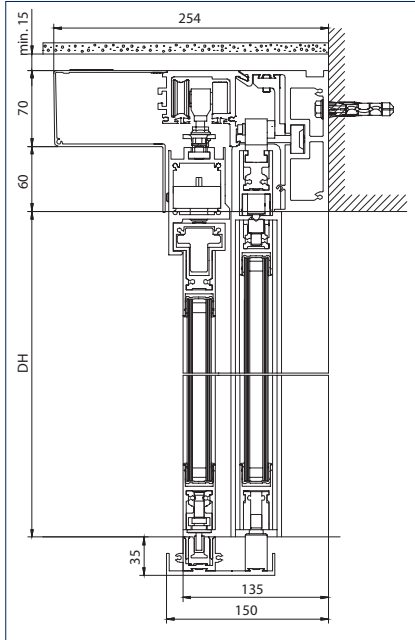
GEZE SLIMDRIVE SL

GEZE Slimdrive SL-BO

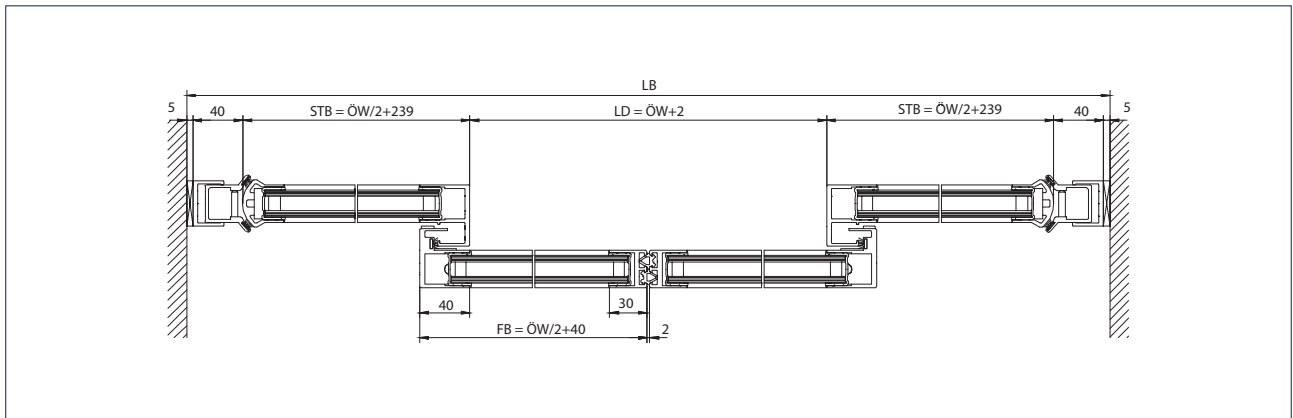
ISO/MONO-glass fine-framed

Door leaf and side parts

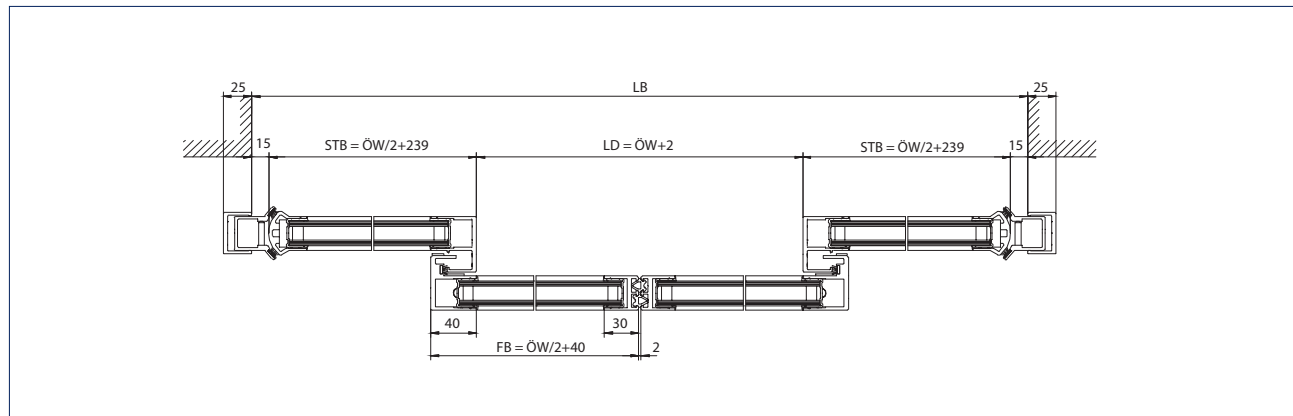
Drawing no. 70485-ep51



Door system with door leaf and side parts
DH = Passage height



Installation: Cantilevered installation



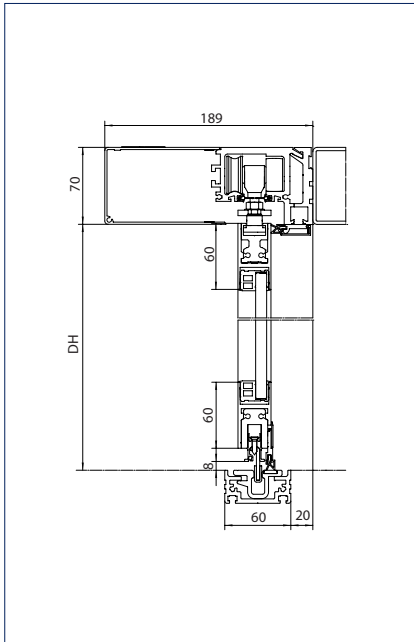
Installation: Wall mounting

- LB = Clear overall width
- STB = Width of side parts
- LD = Clear passage
- FB = Leaf width
- ÖW = Opening width

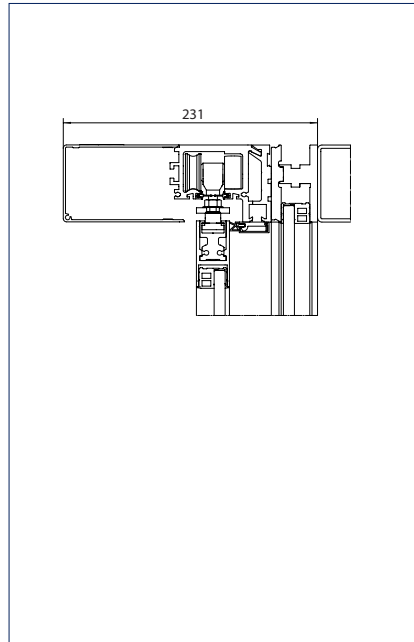
GEZE Slimdrive SL-RD

ISO/MONO-glass fine-framed

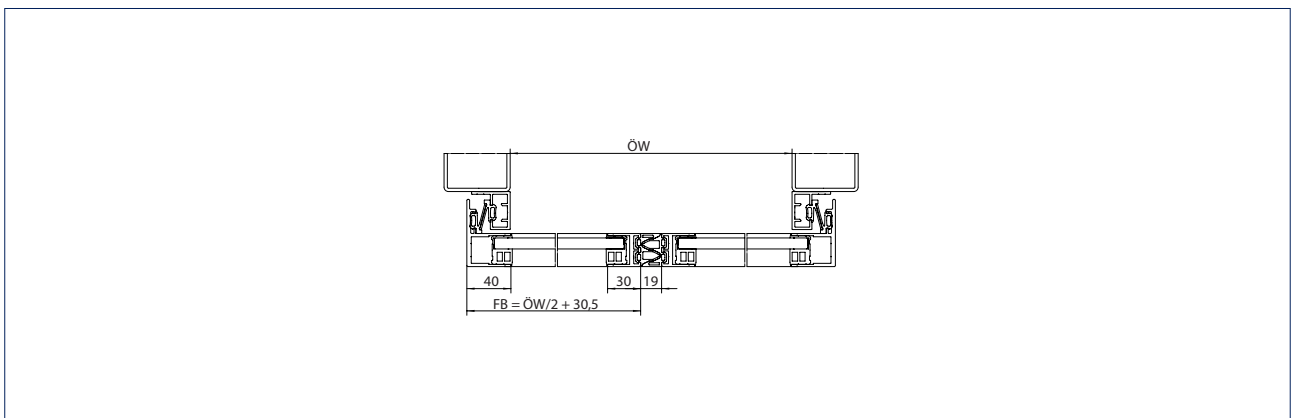
Drawing no. 70484-ep39



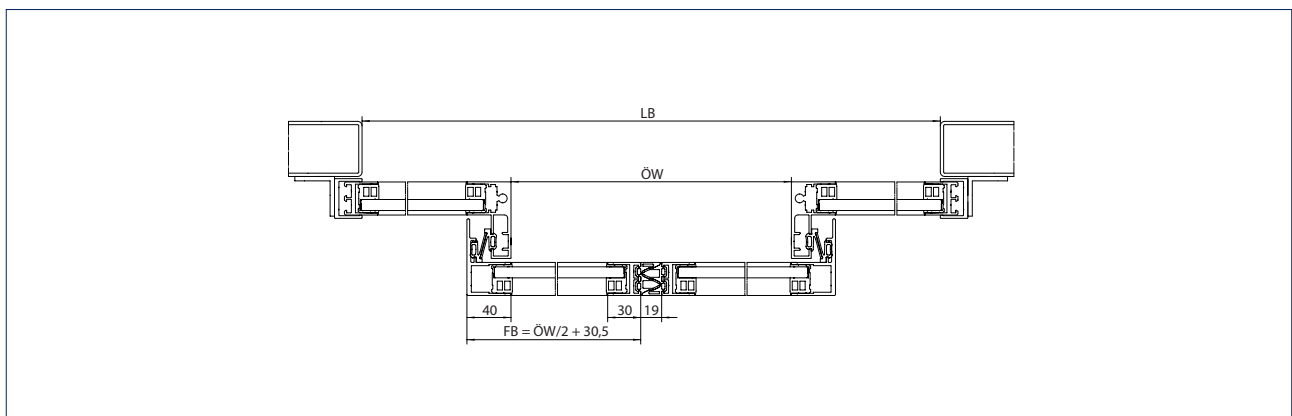
Drive on bolt profile
 DH = Passage height



Drive with side parts on bolt profile



2-leaf door system
 FB = Leaf width
 ÖW = Opening width



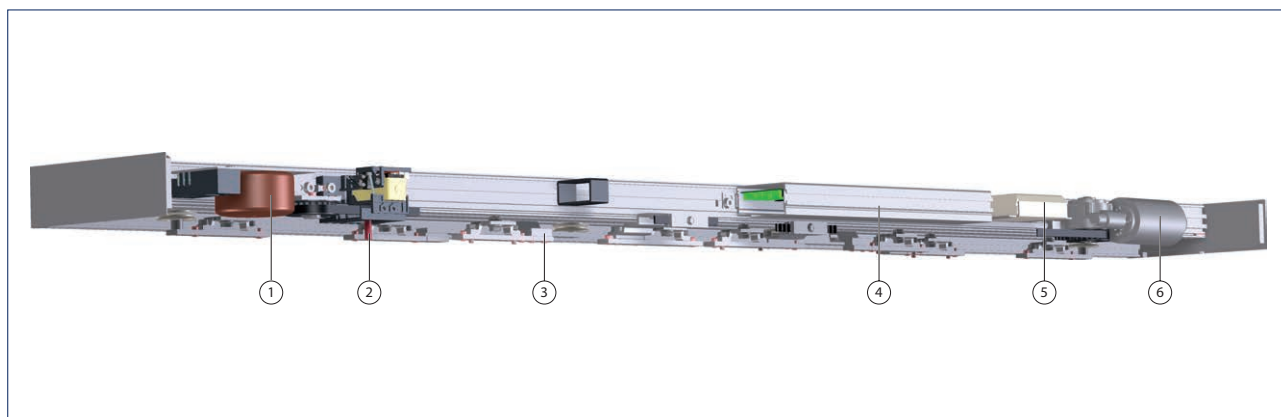
4-leaf door system
 FB = Leaf width
 LB = Clear passage width
 ÖW = Opening width

GEZE SLIMDRIVE SLT

GEZE Slimdrive SLT

Drive system for automatic telescopic sliding doors

The GEZE Slimdrive SLT is used on 2 or 4-leaf telescopic sliding doors made of 22 mm insulated glass or frameless door leaves with concealed fittings (IGG). The Slimdrive SLT moves internal and external doors with leaf weights of up to a 320 kg reliably, inconspicuously and invisibly, thanks to the low overall height of only 7 cm. The drive makes opening widths of up to 3600 mm possible.



- 1 = Transformer
- 2 = Locking
- 3 = Roller carriage
- 4 = Control
- 5 = Battery
- 6 = Motor

Drive components

Technical data	SLT	SLT-FR
Transformer	Ring core with fuse and main switch	
Voltage	230 V	
Frequency	50 – 60 Hz	
Capacity rating	150 W	
Locking	Toothed belt locking, electromagnetic, bi-stable	
Roller carriage		
Door leaf adjustment vertical	7 mm	
Door leaf adjustment horizontal	7 mm	
Anti-tilt protection	Optional	
Self-cleaning	-	-
Control	DCU1	DCU1-2M
With fault memory	•	•
With memory for statistical data	•	•
Software update possible	•	•
Optional bus interface	•	•
Connection for fire alarm system	•	•
Power supply for peripherals	•	•
Programmable inputs	3 pc.	
Programmable outputs	2 pc.	
Battery	NiCd, 24 V, 700 mA	
Motor	Gear motor	Double gear motor
Torque	400 Ncm	

- = YES
- = NOT AVAILABLE

Technical data

Product features	SLT	SLT-FR
For 1-leaf door systems	-	-
For 2-leaf door systems	•	•
For 4-leaf door systems	•	•
Height	70 mm	
Depth	247 mm	
Leaf weight (max.) 2-leaf	80 kg	
Leaf weight (max.) 4-leaf	80 kg	
Opening width 2-leaf	1000 – 3000 mm	
Opening width 4-leaf	1600 – 3600 mm	
Temperature range	-15 – 55 °C	
Disconnection from power supply	Main switch in the drive	
Opening speed (max.)	0,8 m/s	
Closing speed (max.)	0,8 m/s	
Hold-open time	0 – 60 S	
Adjustable opening and closing force (max.)	150 N	
Automatic adaptation to traffic flow	•	•
Automatic reversal when an obstacle is detected	•	•
Pharmacy opening	•	•
Lock function	•	-
Vestibule function	•	-
Automatic opening in the event of a power failure	adjustable	fitted as standard
Automatic closing in the event of a power failure	adjustable	not available
Function in the event of a power failure	adjustable for 30 min. / 30 cycles	Open
Automatic opening in the event of a fault	not available	fitted as standard

- = YES
- = NOT AVAILABLE

Fitting variations

Fittings	SLT
ISO-glass fine-framed	•
MONO-glass fine-framed	-
ESG clamping profile	-
All-glass system (GGS)	-
Integrated all-glass system (IGG)	•
Frame leaf (provided by customer)	-
Wooden leaf (provided by customer)	-
Hermetic leaf	-
Fire protection leaf T30 (Hörmann)	-

- = YES
- = NOT AVAILABLE

GEZE SLIMDRIVE SLT

Calculations for Slimdrive SLT

Drive length and glass dimensions

Calculation of the drive length AL in mm*

	Slimdrive SLT	Slimdrive SLT-FR
4-leaf	$\ddot{O}W = 1600 - 1999, AL = \ddot{O}W + 1180$	$\ddot{O}W = 1600 - 1999, AL = \ddot{O}W + 1180$
	$\ddot{O}W = 2000 - 3600, AL = 1,5 \times \ddot{O}W + 150$	$\ddot{O}W = 2000 - 3600, AL = 1,5 \times \ddot{O}W + 150$
2-leaf, closing on the right	$\ddot{O}W = 1000 - 1360, AL = \ddot{O}W + 770$	$\ddot{O}W = 1000 - 1560, AL = \ddot{O}W + 870$
	$\ddot{O}W = 1360 - 3000, AL = 1,5 \times \ddot{O}W + 90$	$\ddot{O}W = 1560 - 3000, AL = 1,5 \times \ddot{O}W + 90$
2-leaf, closing on the left	$\ddot{O}W = 1000 - 1460, AL = \ddot{O}W + 780$	$\ddot{O}W = 1000 - 1660, AL = \ddot{O}W + 880$
	$\ddot{O}W = 1460 - 3000, AL = 1,5 \times \ddot{O}W + 50$	$\ddot{O}W = 1660 - 3000, AL = 1,5 \times \ddot{O}W + 50$

* Minimum overall length of the system with ISO-glass profile system

Note:

Opening widths of emergency route sliding doors < 1000 mm are only permitted in exceptional cases.

A continuous floor guide is generally recommended for outdoor systems.

The minimum opening widths depend on the requirements of building law.

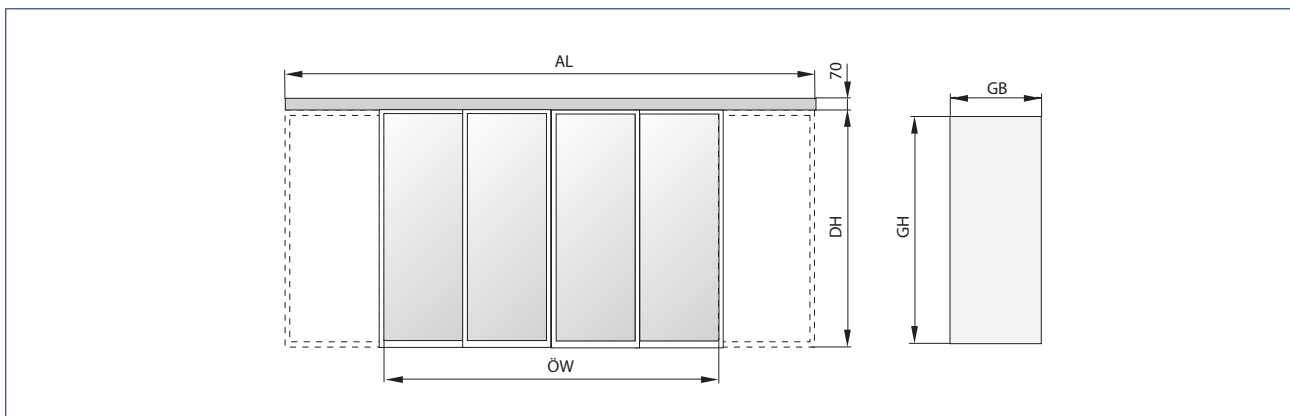
Calculation of leaf and glass dimensions in mm

depending on the opening width and passage height

		Internal leaf	External leaf
Leaf width	2-leaf		$\ddot{O}W / 2 + 40$
	4-leaf		$\ddot{O}W / 4 + 40$
Leaf height	2 or 4-leaf		$DH - 17$
Glass width	2-leaf	$\ddot{O}W / 2$	$\ddot{O}W / 2 - 10$
	4-leaf	$\ddot{O}W / 4$	$\ddot{O}W / 4 - 10$
Glass height	2 or 4-leaf	$FH - 90$	$FH - 90$
Glass thickness		22	22

Note:

max. leaf ratio width to height 1:4 or 1:5 in the case of 4-leaf systems, $\ddot{O}W$ 1600 - 2000 mm

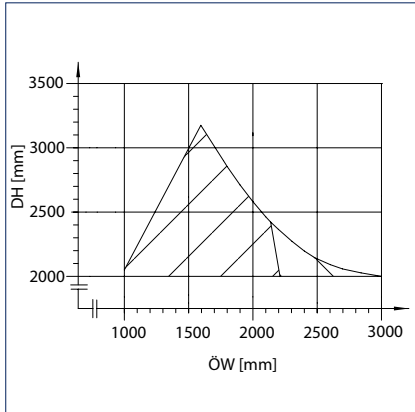


AL = Drive length
 DH = Passage height
 GB = Glass width
 GH = Glass height
 ÖW = Opening width

Areas of application for Slimdrive SLT

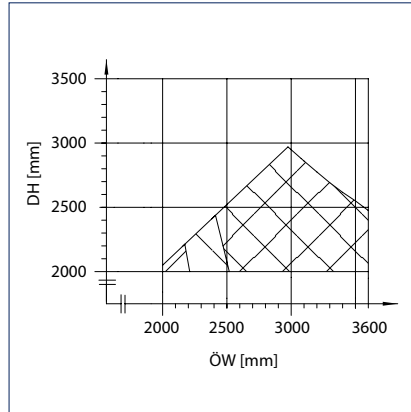
Cantilever carrier Slimdrive SLT

2-leaf



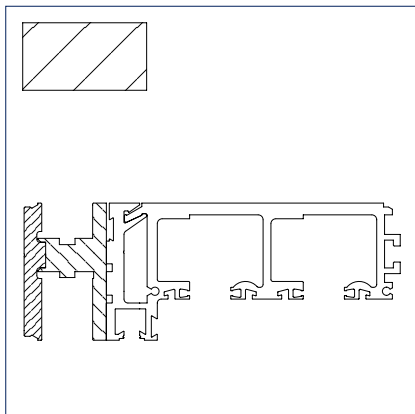
DH = Passage height
 ÖW = Opening width

4-leaf

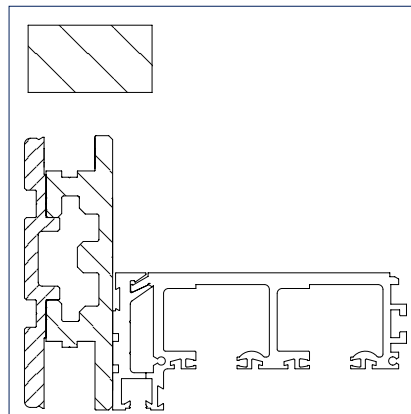


DH = Passage height
 ÖW = Opening width

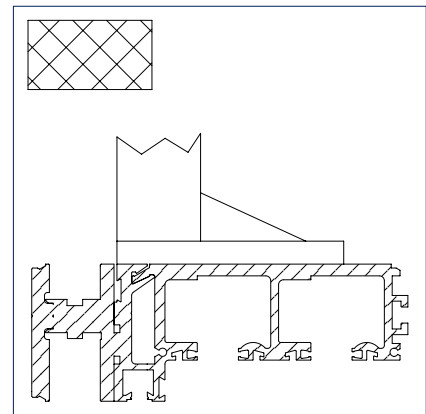
Profiles



Standard carrier SL



Additional carrier EC/SL



Carrier and running rail additionally suspended from the ceiling

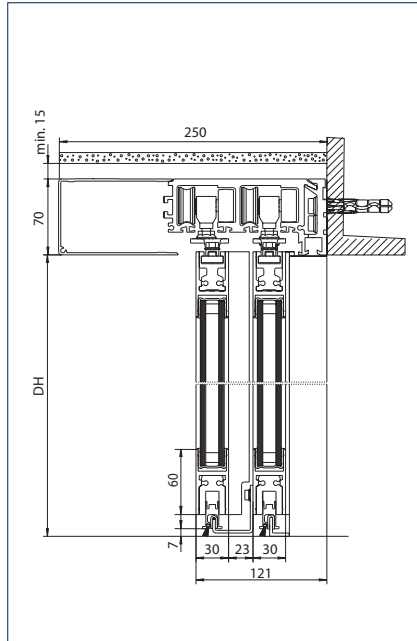
GEZE SLIMDRIVE SLT

Slimdrive SLT

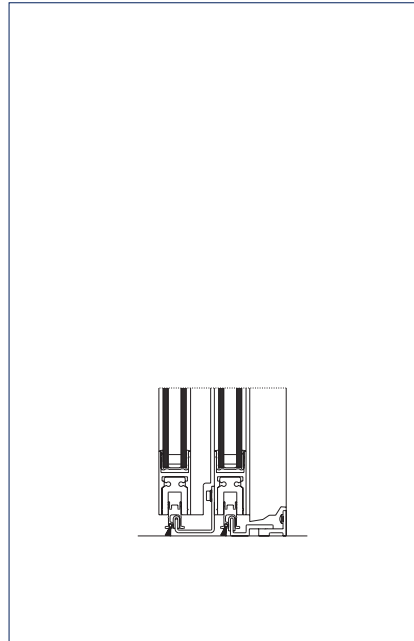
ISO/MONO-glass fitting

Door leaf

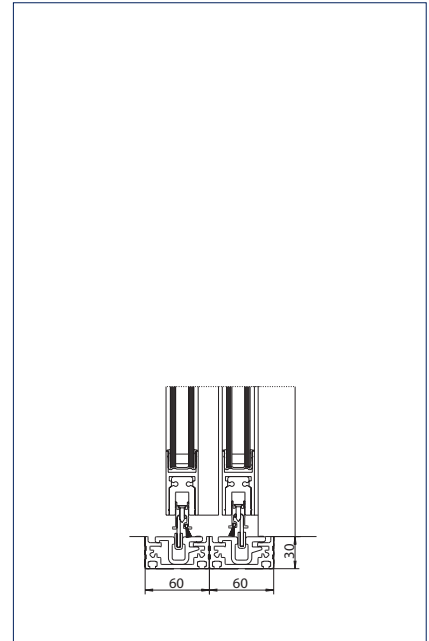
Drawing no. 70487-ep01



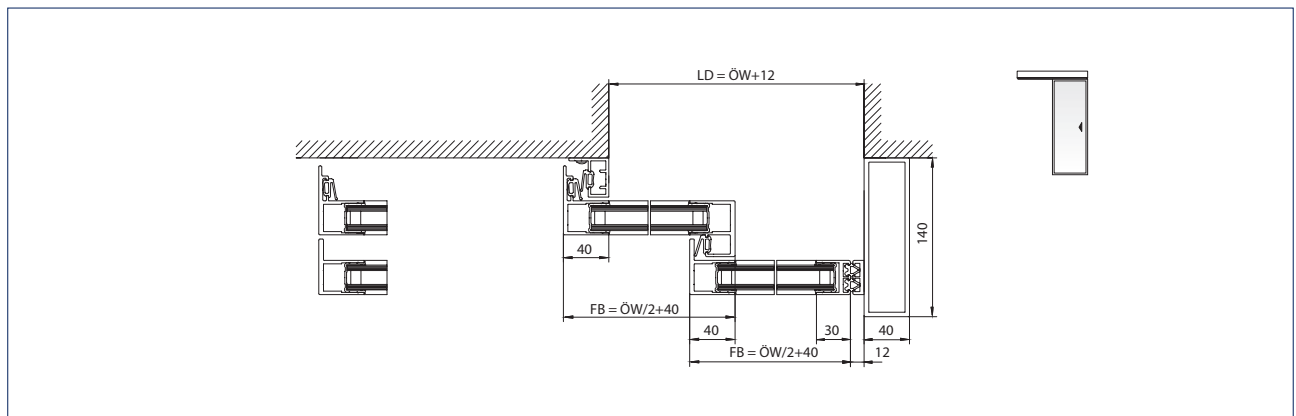
Floor guide: For floor mounting
DH = Passage height



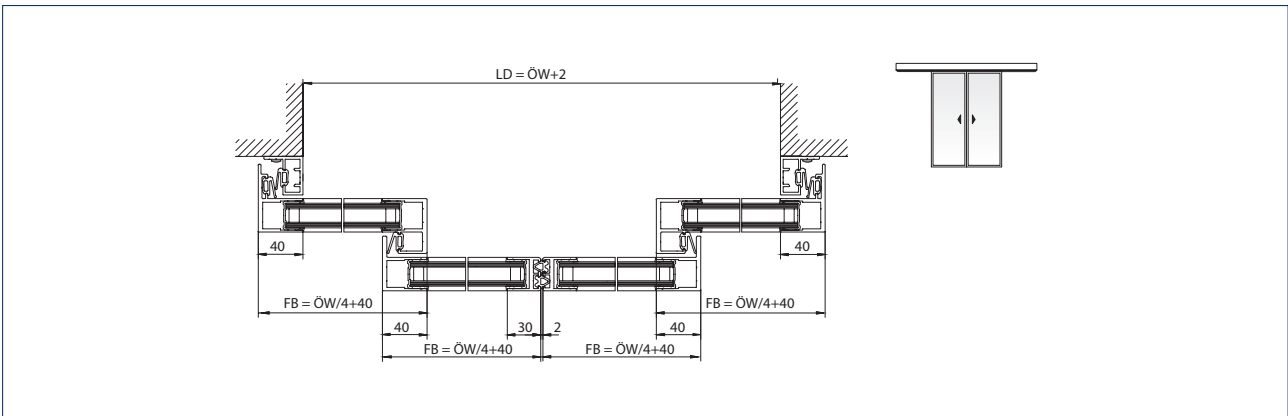
Floor guide: Adjustable for wall mounting



Floor guide: Continuous



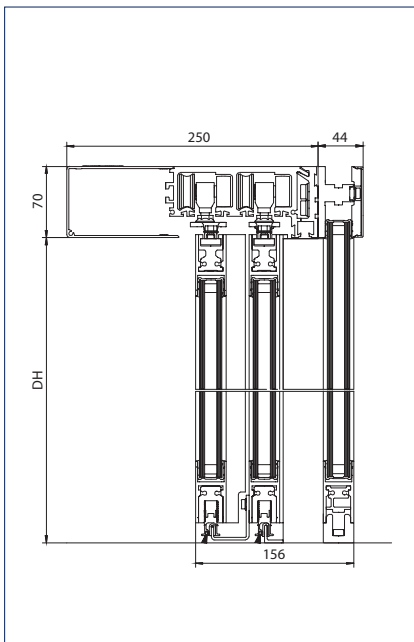
1-leaf door system
LD = Clear passage
FB = Leaf width
ÖW = Opening width



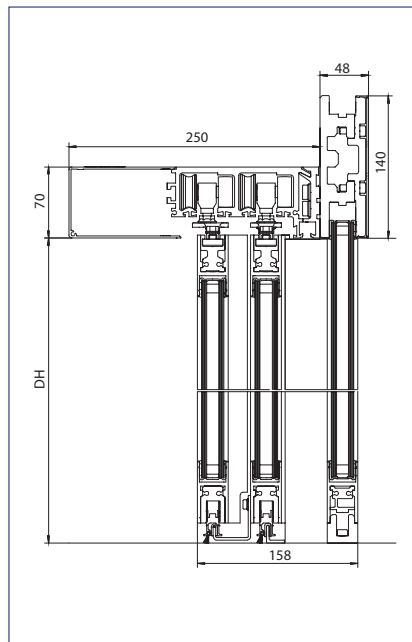
2-leaf door system
 LD = Clear passage
 FB = Leaf width
 ÖW = Opening width

Door leaf and side parts

Drawing nos. 70717-ep02 + 70717-ep04

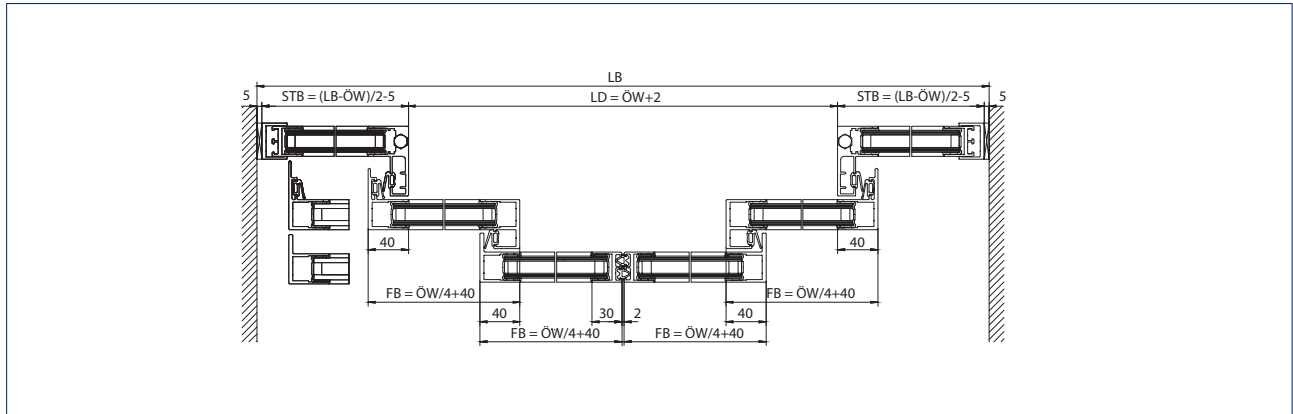


Low cantilevered carrier
 DH = Passage height



High cantilevered carrier
 DH = Passage height

GEZE SLIMDRIVE SLT



Installation: Cantilevered installation

LB = Clear overall width

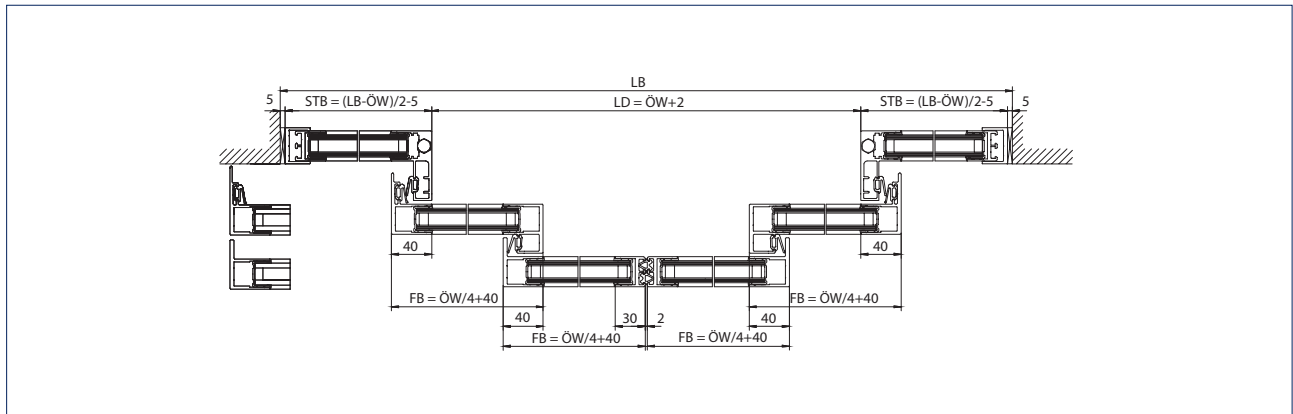
STB = Width of side parts

LD = Clear passage

FB = Leaf width

ÖW = Opening width

Note: See installation drawing for area of application



Installation: Wall mounting with longer drive and carrier between the walls

LB = Clear overall width

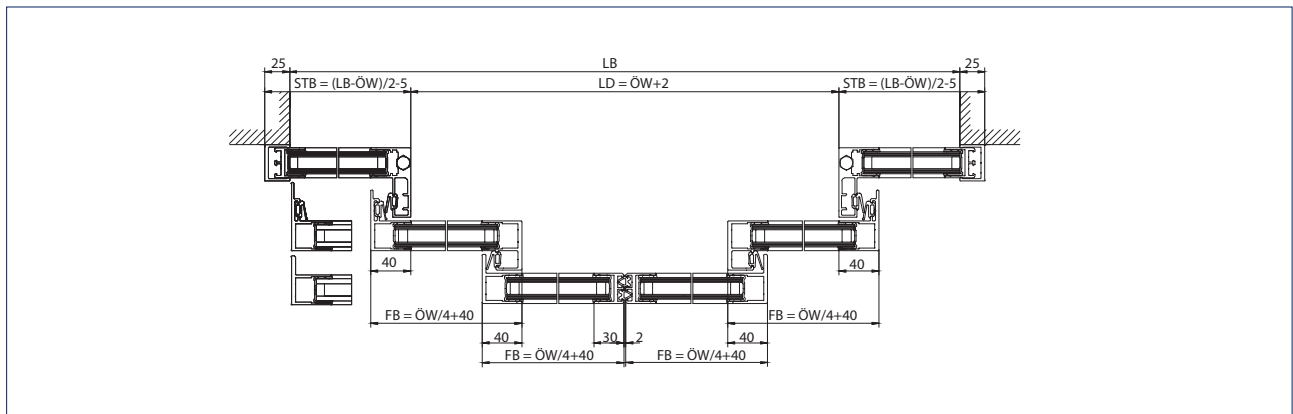
STB = Width of side parts

LD = Clear passage

FB = Leaf width

ÖW = Opening width

Note: See installation drawing for area of application



Installation: Wall mounting

LB = Clear overall width

STB = Width of side parts

LD = Clear passage

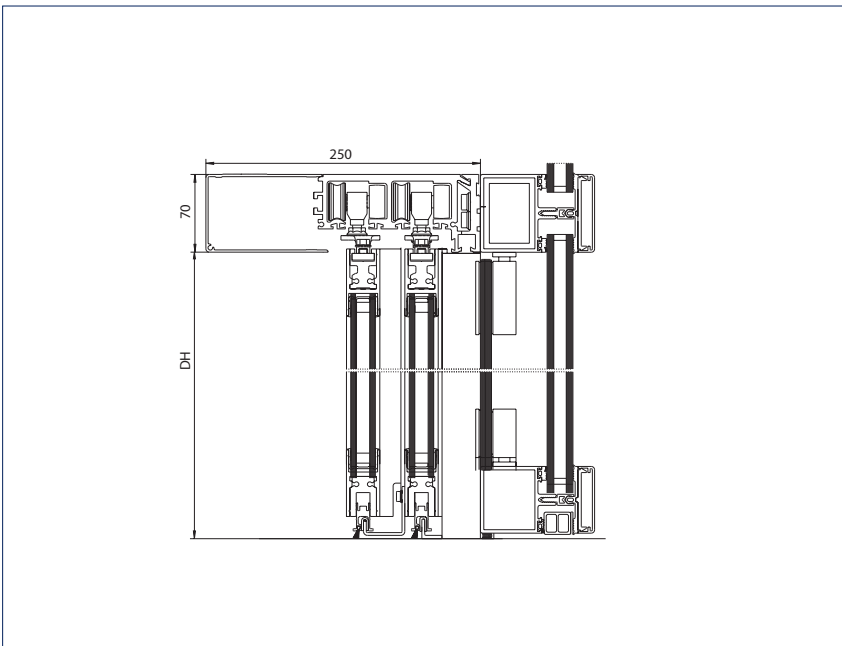
FB = Leaf width

ÖW = Opening width

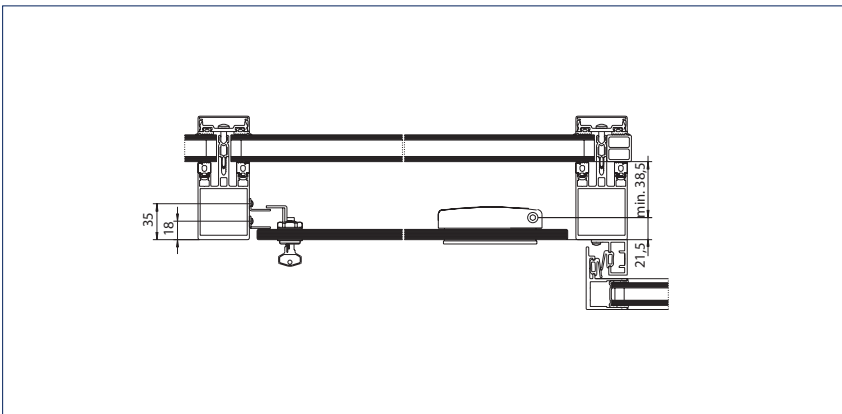
Door leaf and safety leaf

Drawing no. 70487-ep01

Note: See installation drawing for area of application



Installation: To post-rail structure with safety leaf
DH = Passage height



Installation: To post-rail structure with safety leaf

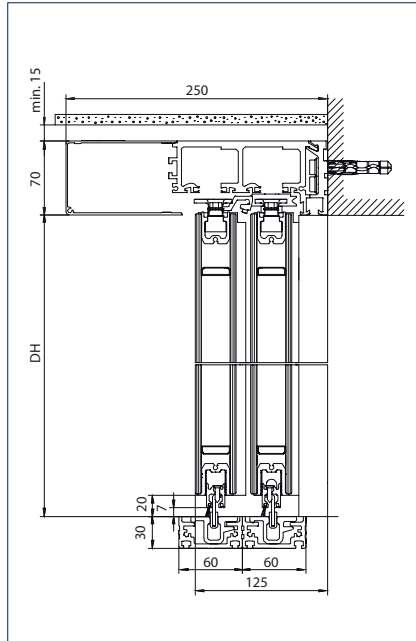
GEZE SLIMDRIVE SLT

GEZE Slimdrive SLT

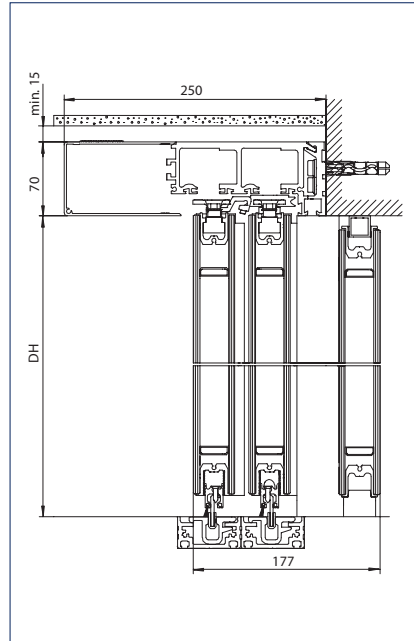
Integrated all-glass system (IGG)

Door leaf and side parts

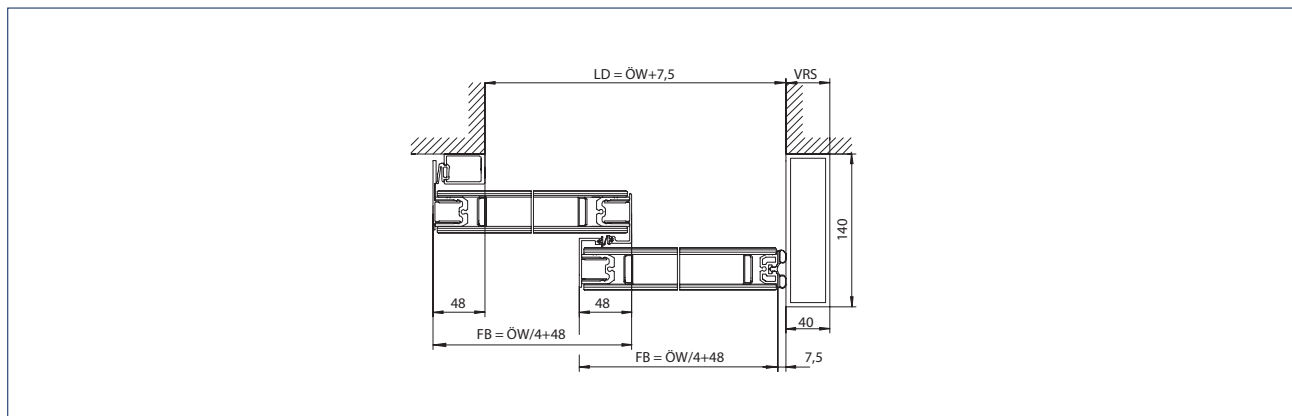
Drawing no. 70487-ep07



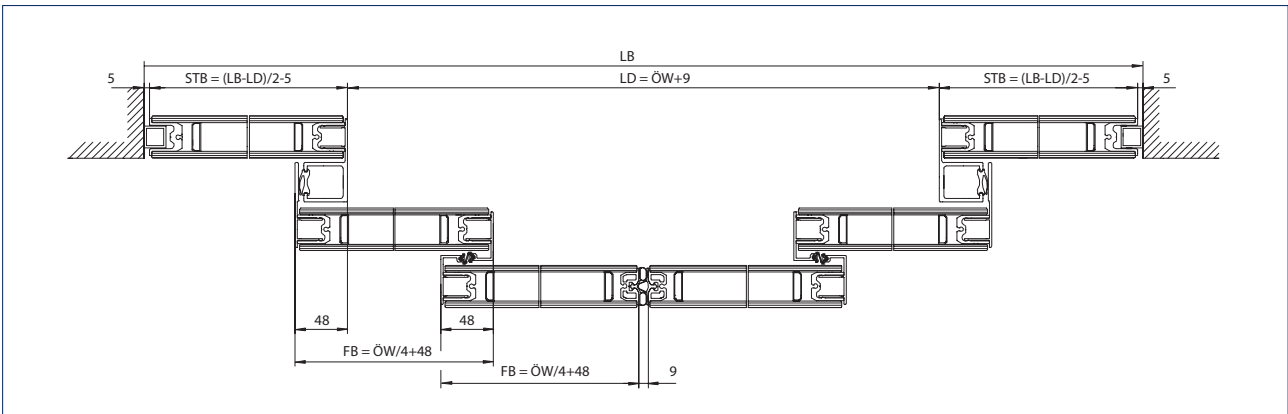
Version with leaf
DH = Passage height



Version with leaf and side parts
DH = Passage height



2-leaf door system
LD = Clear passage
FB = Leaf width
ÖW = Opening width
VRS = Drive extension right



- 4-leaf door system
 LB = Clear overall width
 STB = Width of side parts
 LD = Clear passage
 ÖW = Opening width
 FB = Leaf width



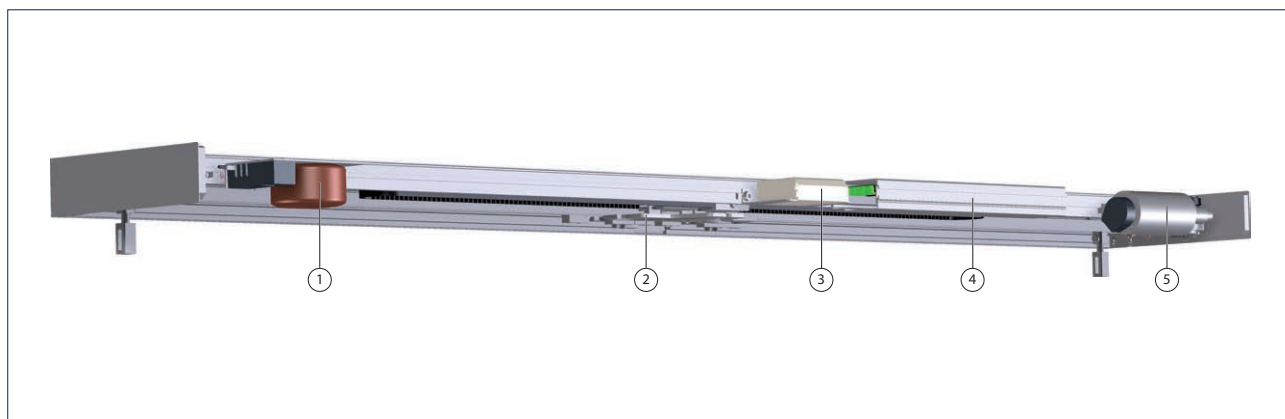
Slimdrive SLT with IGG, Cafe Luitpold Munich, Germany (Photo: Robert Sprang)

GEZE SLIMDRIVE SF

GEZE Slimdrive SF

Drive system for automatic folding doors

Wherever maximum passage widths must be achieved in tight spaces, the use of automatic doors with horizontal folding door leaves is the optimum solution. The GEZE automatic folding door system with the 7 cm drive height characteristic of the Slimdrive family guarantees maximum passage height for conversions, for example. The low overall height of the drive makes it almost unnoticeable, yet it is highly efficient. Retrofitting to existing facades is no problem. The optional break axle feature ensures the door is locked safely at night.



- 1 = Transformer
- 2 = Roller carriage
- 3 = Battery
- 4 = Control
- 5 = Motor

Drive components

Technical data	SF	SF-FR
Transformer	Ring core with fuse and main switch	
Voltage	230 V	
Frequency	50 – 60 Hz	
Capacity rating	150 W	
Roller carriage		
Control	DCU1	DCU1-2M
With fault memory	●	●
With memory for statistical data	●	●
Software update possible	●	●
Optional bus interface	●	●
Connection for fire alarm system	●	●
Power supply for peripherals	●	●
Programmable inputs	3 pc.	
Programmable outputs	2 pc.	
Battery	NiCd, 24 V, 700 mA	
Motor	Gear motor	Double gear motor
Torque	400 Ncm	

- = YES
- = NOT AVAILABLE

Technical data

Product features	SF	SF-FR
For 1-leaf door systems	-	-
For 2-leaf door systems	-	-
For 4-leaf door systems	•	•
Height	70 mm	
Depth	282 mm	
Leaf weight (max.) 4-leaf	40 kg	
Opening width 4-leaf	900 – 2000 mm	
Passage height (max.)	2200 mm	
Temperature range	-15 – 55 °C	
Enclosure rating	IP 20	
Disconnection from power supply	Main switch in the drive	
Opening speed (max.)	0,8 m/s	
Closing speed (max.)	0,8 m/s	
Hold-open time	0 – 60 S	
Adjustable opening and closing force (max.)	150 N	
Automatic adaptation to traffic flow	•	•
Automatic reversal when an obstacle is detected	•	•
Pharmacy opening	•	•
Lock function	•	-
Vestibule function	•	-
Automatic opening in the event of a power failure	adjustable	fitted as standard
Automatic closing in the event of a power failure	adjustable	not available
Function in the event of a power failure	adjustable for 30 min. / 30 cycles	Open
Automatic opening in the event of a fault	not available	fitted as standard

• = YES
 - = NOT AVAILABLE

Fitting variations

Fittings	SF
ISO-glass fine-framed	•
MONO-glass fine-framed	•
ESG clamping profile	-
All-glass system (GGS)	-
Integrated all-glass system (IGG)	-
Frame leaf (provided by customer)	-
Wooden leaf (provided by customer)	-
Hermetic leaf	-
Fire protection leaf T30 (Hörmann)	-

• = YES
 - = NOT AVAILABLE

GEZE SLIMDRIVE SF

Calculations for Slimdrive SF

Drive length and glass dimensions

Calculation of the drive length (AL) in mm*

Slimdrive SF	
4-leaf	$\ddot{O}W = 900 - 2000^*$, $AL = \ddot{O}W + 334$
* Minimum overall length of the system with ISO-glass profile system	

Note:

Opening widths of emergency route sliding doors < 1000 mm are only permitted in exceptional cases.

A continuous floor guide is generally recommended for outdoor systems.

A continuous floor guide is recommended from 1400 mm for indoor use.

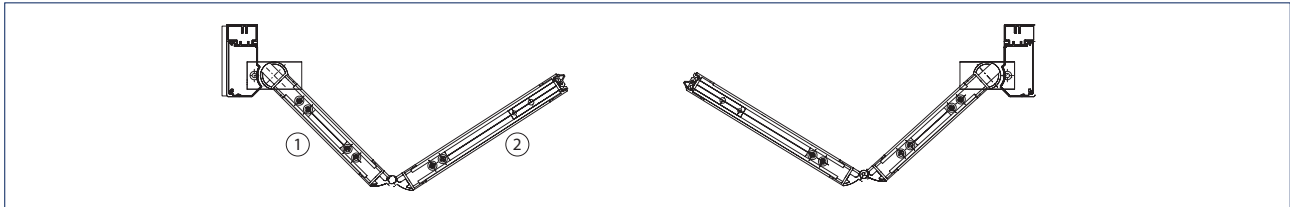
The minimum opening widths depend on the requirements of building law.

Calculation of leaf and glass dimensions in mm

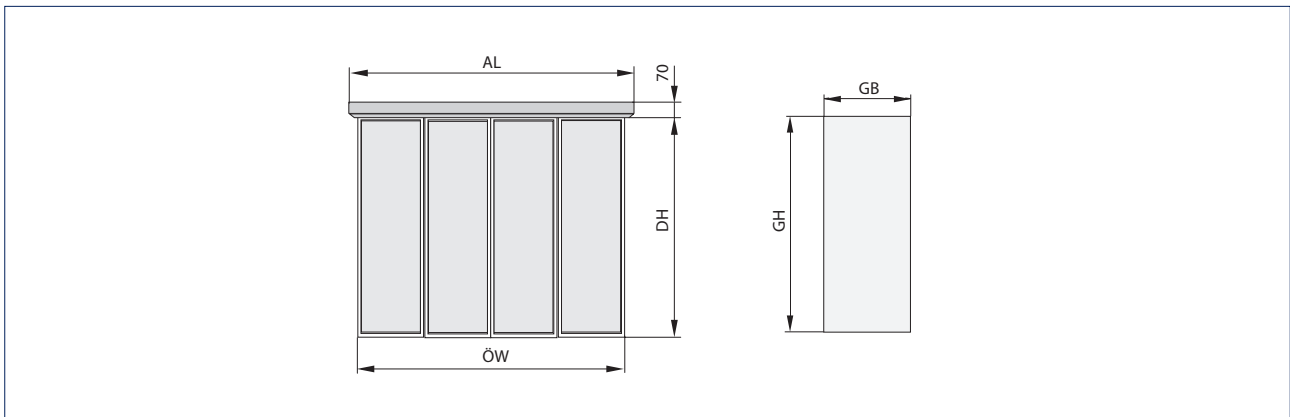
Slimdrive SF	
Driving leaf	$\text{Glass width} = \ddot{O}W / 4 + 10.5$
Following leaf	$\text{Glass width} = \ddot{O}W / 4 + 1.5$
Glass height	$DH - 82$
Glass thickness ISO-glass	22
Glass thickness ESG/VSG	10

Note:

max. leaf ratio width to height 1:4



- 1 = Following leaf
2 = Driving leaf



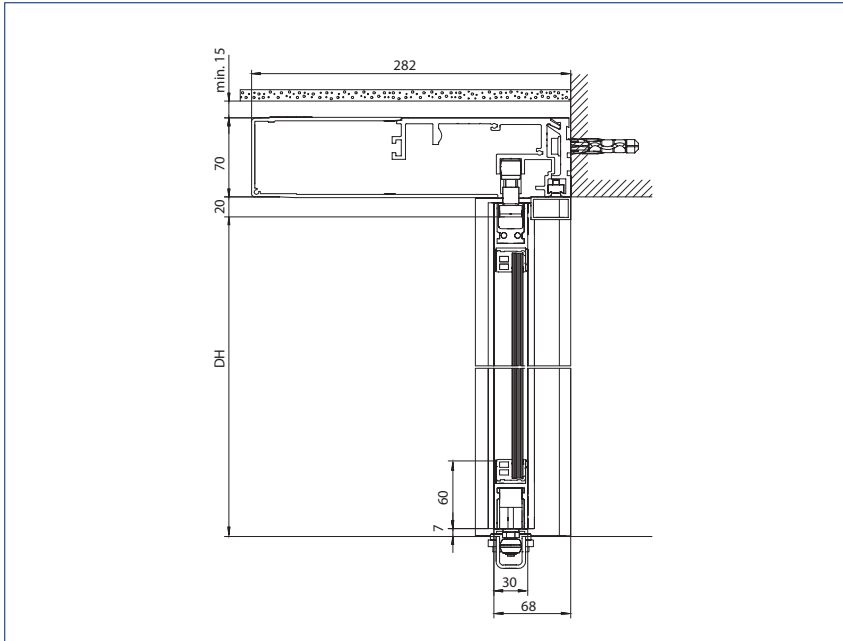
- AL = Drive length
DH = Passage height
GB = Glass width
GH = Glass height
ÖW = Opening width

GEZE Slimdrive SF

ISO/MONO-glass fitting

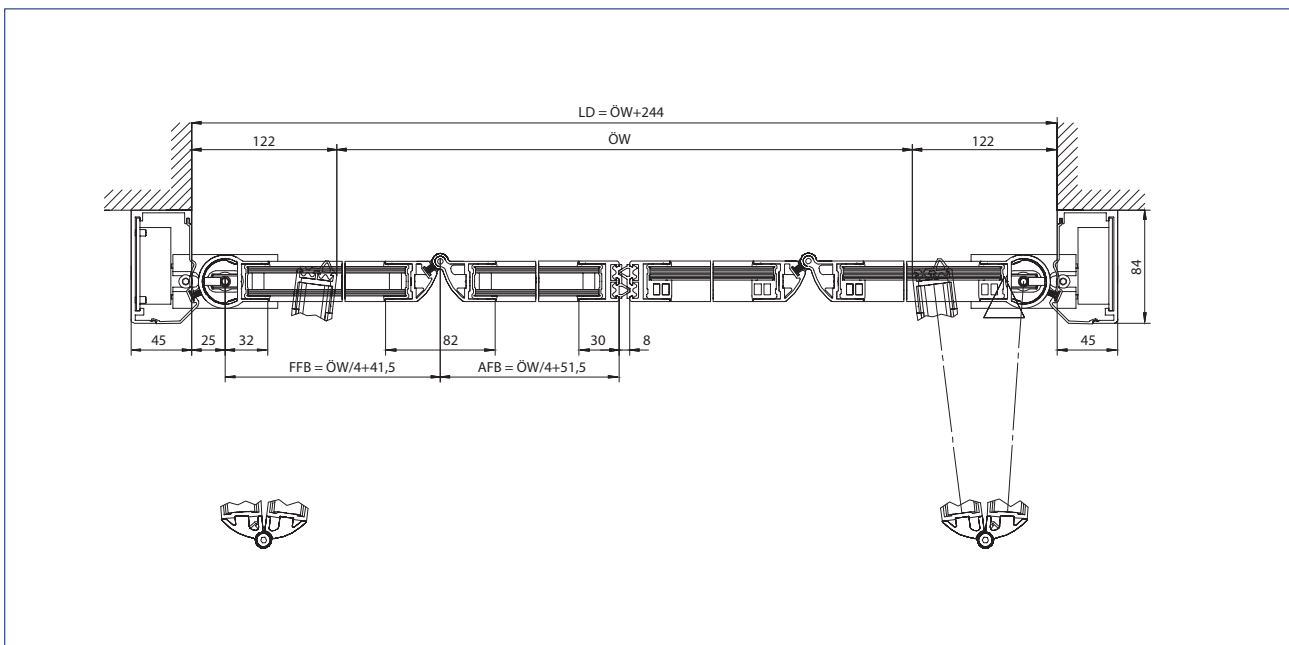
Door leaf

Drawing no. 70497-ep01 + 70497-ep02



Door system with door leaf

DH = Passage height



4-leaf door system

LD = Clear passage

ÖW = Opening width

FFB = Width of following leaf

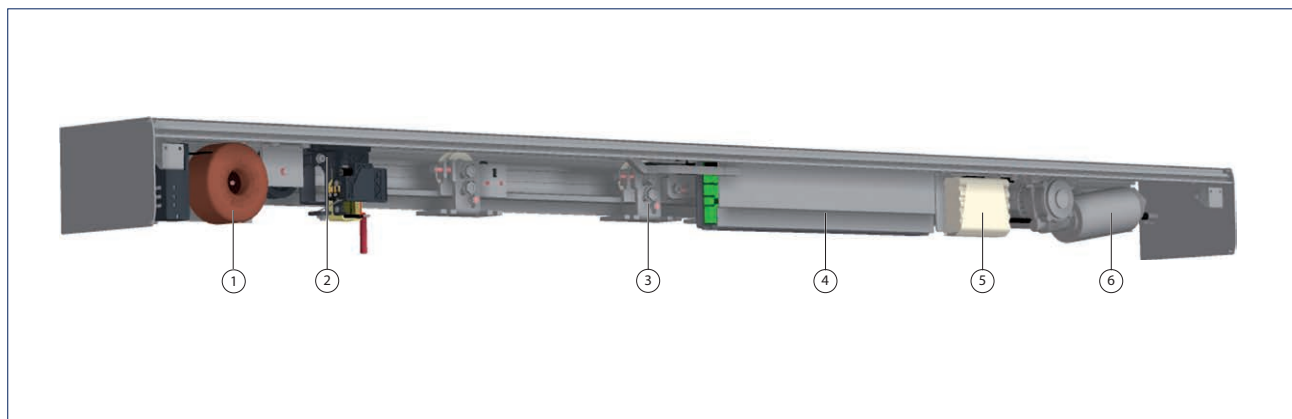
AFB = Width of driving leaf

GEZE ECdrive

GEZE ECdrive

Drive system for linear sliding doors in high traffic areas

The linear sliding door system GEZE ECdrive offers numerous convincing benefits at an excellent cost/performance ratio. The drive is suitable for doors in high traffic areas. The ECdrive covers door leaf weights of up to 120 kg and is uncompromisingly reliable. High-quality materials and the latest control technology guarantee high efficiency. Servicing costs are considerably reduced thanks to the self-cleaning roller carriage. The rounded hood in the elegant GEZE design gives the system an attractive appearance.



- 1 = Transformer
- 2 = Locking
- 3 = Roller carriage
- 4 = Control
- 5 = Battery
- 6 = Motor

Drive components

Technical data	ECdrive	ECdrive FR
Transformer	Ring core with fuse and main switch	
Voltage	230 V	
Frequency	50 – 60 Hz	
Capacity rating	150 W	
Locking	Toothed belt locking, electromagnetic, bi-stable	
Roller carriage		
Door leaf adjustment vertical	10 mm	
Door leaf adjustment horizontal	15 mm	
Anti-tilt protection	fitted as standard	
Self-cleaning	•	•
Control	DCU1	DCU1-2M
With fault memory	•	•
With memory for statistical data	•	•
Software update possible	•	•
Optional bus interface	•	•
Connection for fire alarm system	•	•
Power supply for peripherals	•	•
Programmable inputs	3 pc.	
Programmable outputs	2 pc.	
Battery	NiCd, 24 V, 700 mA	
Motor	Gear motor	Double gear motor
Torque	400 Ncm	

• = YES
- = NOT AVAILABLE

Technical data

Product features	ECdrive	ECdrive FR
For 1-leaf door systems	•	•
For 2-leaf door systems	•	•
Height	120 / 150 mm	
Depth	175 mm	
Leaf weight (max.) 1-leaf	120 kg	
Leaf weight (max.) 2-leaf	120 kg	
Opening width 1-leaf	700 – 3000 mm	
Opening width 2-leaf	900 – 3000 mm	
Temperature range	-15 – 55 °C	
Enclosure rating	IP 20	
Disconnection from power supply	Main switch in the drive	
Opening speed (max.)	0,8 m/s	
Closing speed (max.)	0,8 m/s	
Hold-open time	0 – 60 S	
Adjustable opening and closing force (max.)	150 N	
Automatic adaptation to traffic flow	•	•
Automatic reversal when an obstacle is detected	•	•
Pharmacy opening	•	•
Lock function	•	-
Vestibule function	•	-
Automatic opening in the event of a power failure	adjustable	fitted as standard
Automatic closing in the event of a power failure	adjustable	not available
Function in the event of a power failure	adjustable for 30 min. / 30 cycles	Open
Automatic opening in the event of a fault	not available	fitted as standard
Approvals	DIN 18650 BGR232 DIN EN ISO 13849: Performance Level D	DIN 18650 BGR232 DIN EN ISO 13849: Performance Level D AutSchR

- = YES
- = NOT AVAILABLE

Fitting variations

Fittings	ECdrive
ISO-glass fine-framed	•
MONO-glass fine-framed	•
ESG clamping profile	•
All-glass system (GGS)	-
Integrated all-glass system (IGG)	-
Frame leaf (provided by customer)	•
Wooden leaf (provided by customer)	•
Hermetic leaf	-
Fire protection leaf T30 (Hörmann)	-

- = YES
- = NOT AVAILABLE

GEZE ECdrive

Calculations for ECdrive

Drive length and glass dimensions

Calculation of the drive length (AL) in mm*

	ECdrive	ECdrive-FR**
2-leaf	$\ddot{O}W = 900 - 3000, AL = 2 \times \ddot{O}W + 100$	$\ddot{O}W = 900 - 3000, AL = 2 \times \ddot{O}W + 100$
1-leaf	$\ddot{O}W = 700 - 3000, AL = 2 \times \ddot{O}W + 60$	$\ddot{O}W = 700 - 3000, AL = 2 \times \ddot{O}W + 60$

* Minimum overall length of the system with ISO-glass profile system

** Request drawing for the variations!

Note:

Opening widths of emergency route sliding doors < 1000 mm are only permitted in exceptional cases.

For external installations with an opening width of more than 2000 mm, a continuous floor guide is recommended.

The minimum opening widths depend on the requirements of building law.

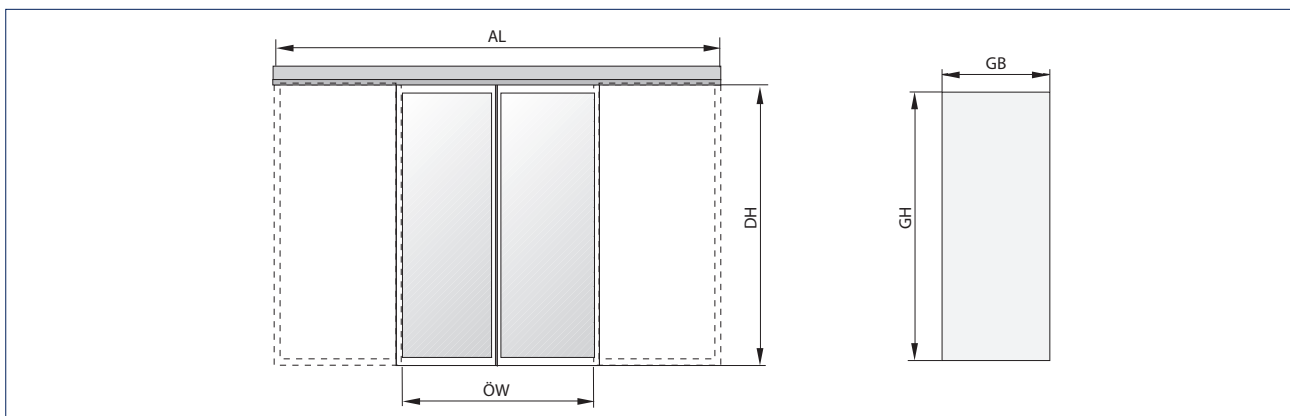
Calculation of leaf and glass dimension in mm

		ISO-glass with Alu-NSK	ISO-glass with rubber NSK	ESG
Leaf width	1-leaf	$\ddot{O}W + 40$	$\ddot{O}W + 35$	$\ddot{O}W + 35$
	2-leaf	$\ddot{O}W / 2 + 40$	$\ddot{O}W / 2 + 35$	$\ddot{O}W / 2 + 35$
Leaf height	with hood 120 mm	DH + 25		
	with hood 150 mm	DH + 55		
Glass width	1-leaf	$\ddot{O}W$	$\ddot{O}W$	$\ddot{O}W + 9$
	2-leaf	$\ddot{O}W / 2$	$\ddot{O}W / 2$	$\ddot{O}W / 2 + 9$
Glass weight		FH - 90	FH - 90	FH - 85
Glass thickness		22	22	10, 12

NSK = secondary closing edge

Note:

max. leaf ratio width to height 1:4



AL = Drive length

DH = Passage height

GB = Glass width

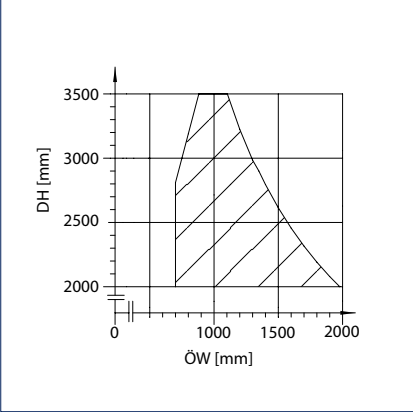
GH = Glass height

ÖW = Opening width

Areas of application ECdrive

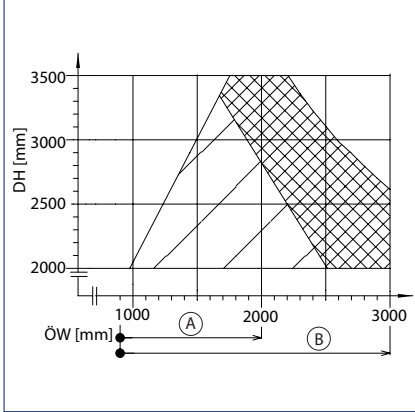
Cantilevered ECdrive ISO-glass fitting

1-leaf



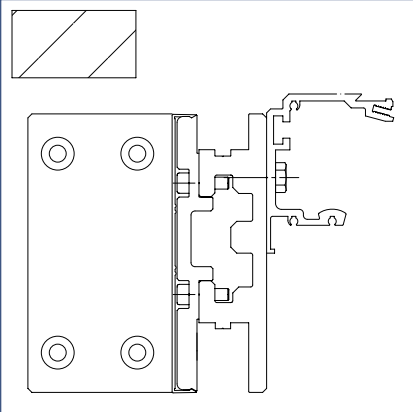
DH = Passage height
ÖW = Opening width

2-leaf

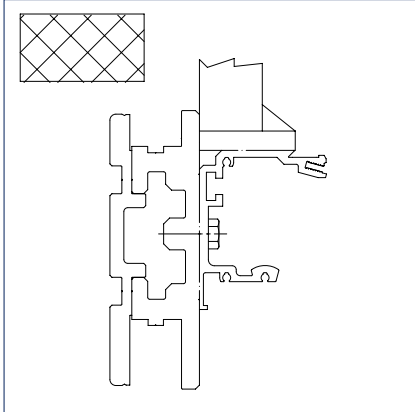


A = Outside area
B = Inside area
DH = Passage height
ÖW = Opening width

Profiles



Standard



Carrier and running rail additionally suspended from the ceiling

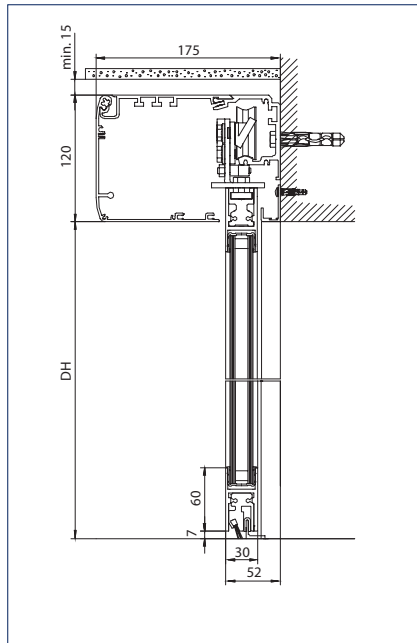
GEZE ECdrive

GEZE ECdrive

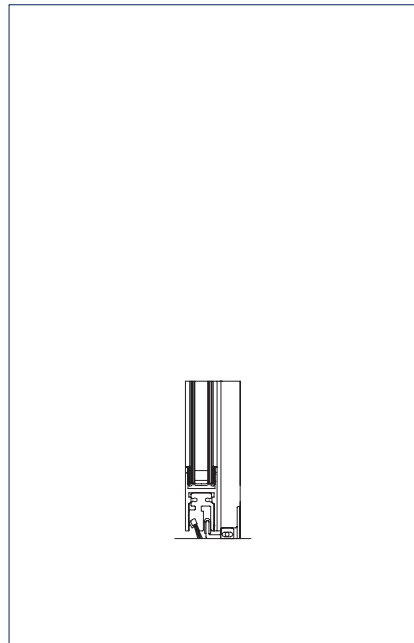
ISO/MONO-glass fitting

Door leaf

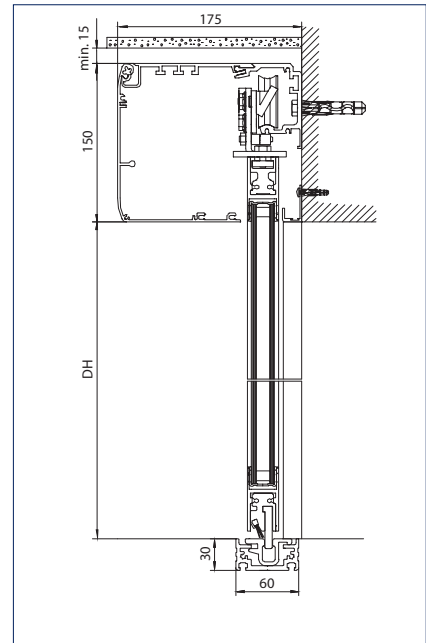
Drawing no. 70504-ep01



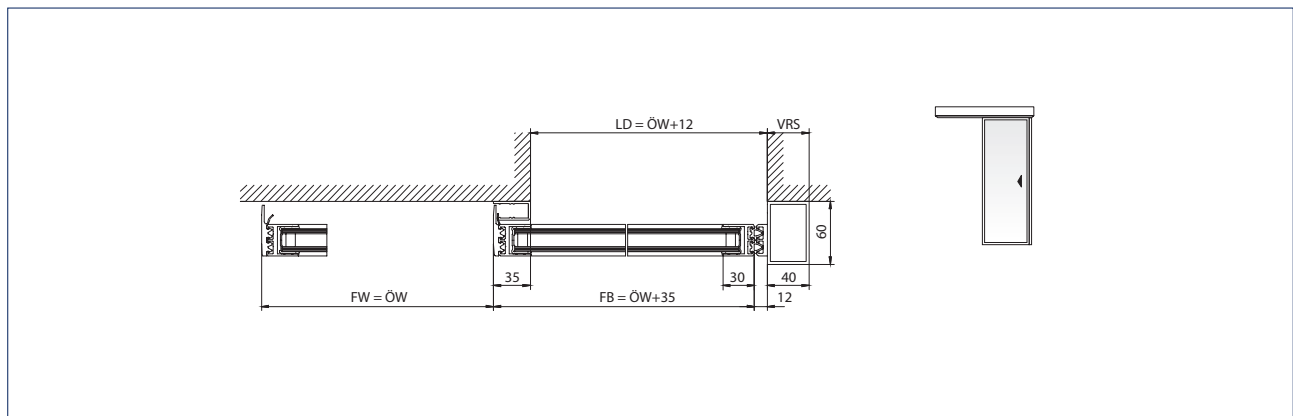
Floor guide: For floor mounting
DH = Passage height



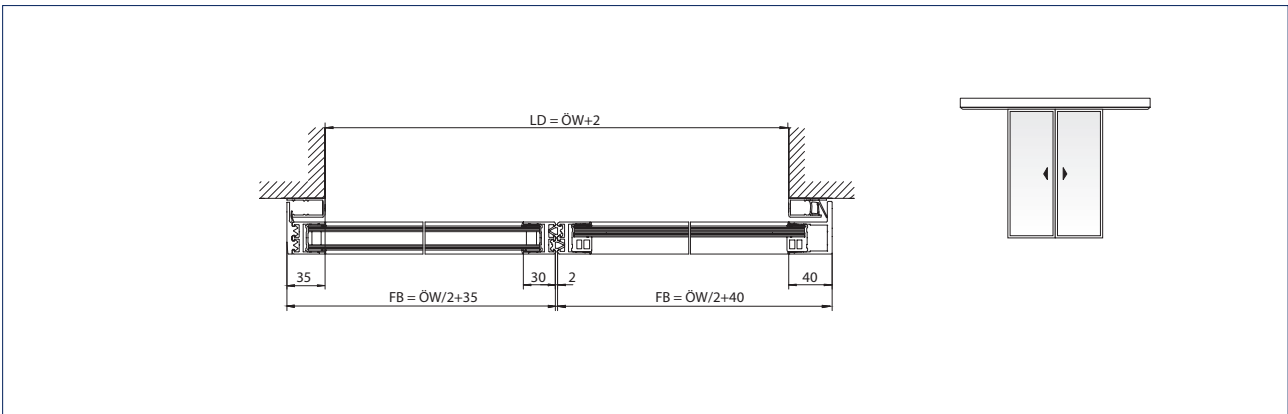
Floor guide: Adjustable for wall mounting



Floor guide: Continuous
DH = Passage height



- 1-leaf door system
- LD = Clear passage
 - FW = Travel path
 - FB = Leaf width
 - ÖW = Opening width
 - VRS = Drive extension right



2-leaf door system

LD = Clear passage

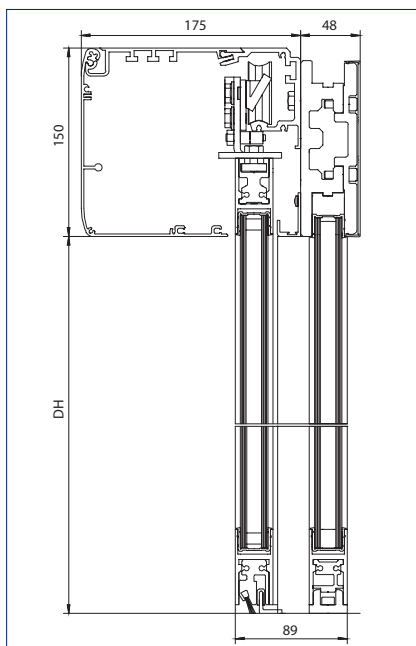
FW = Travel path

FB = Leaf width

ÖW = Opening width

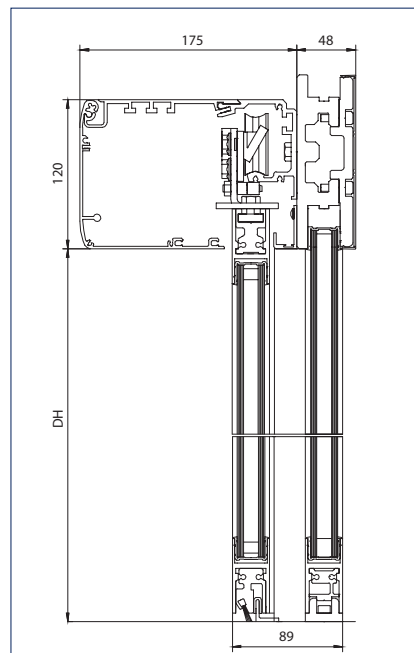
Door leaf and side parts

Drawing no. 70504-ep12



Low cantilevered carrier

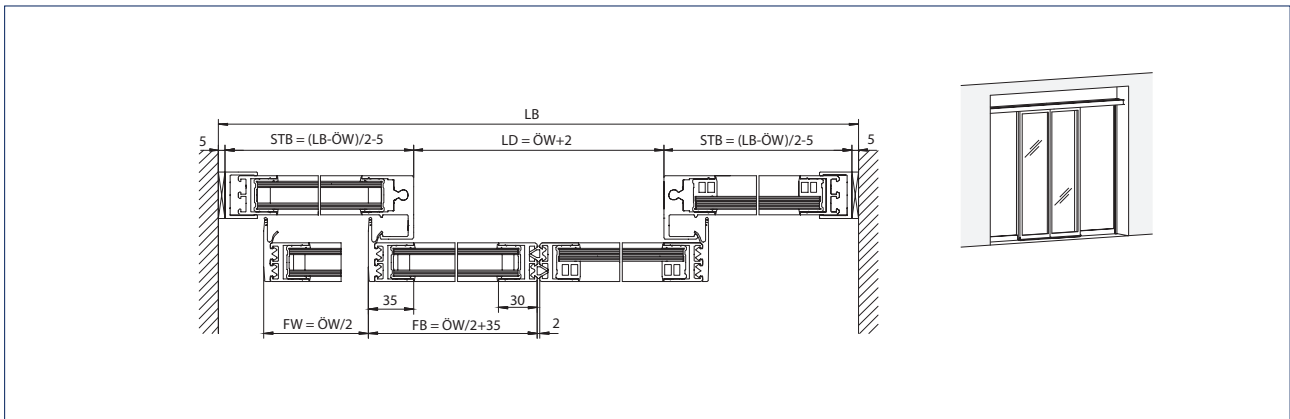
DH = Passage height



High cantilevered carrier

DH = Passage height

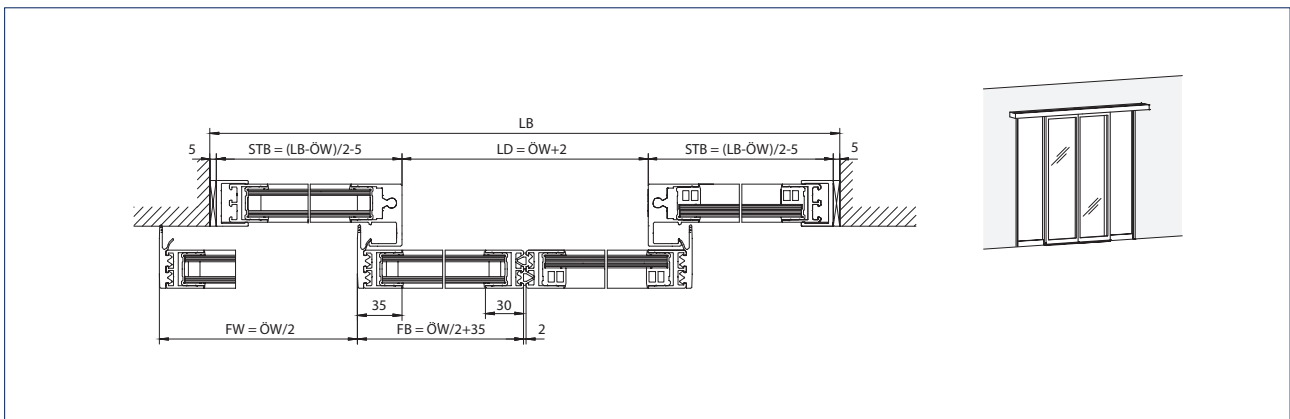
Note: See installation drawing for area of application



Installation: Cantilevered installation

LB = Clear overall width
 STB = Width of side parts
 LD = Clear passage
 FW = Travel path
 FB = Leaf width
 ÖW = Opening width

Note: See installation drawing for area of application

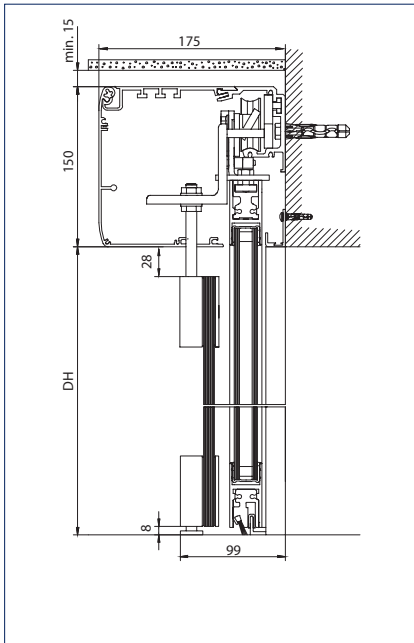
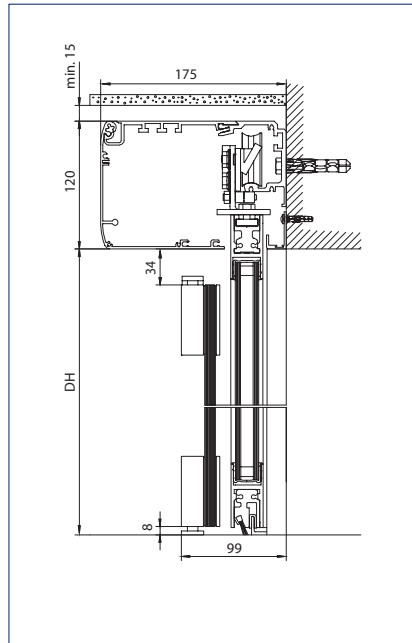
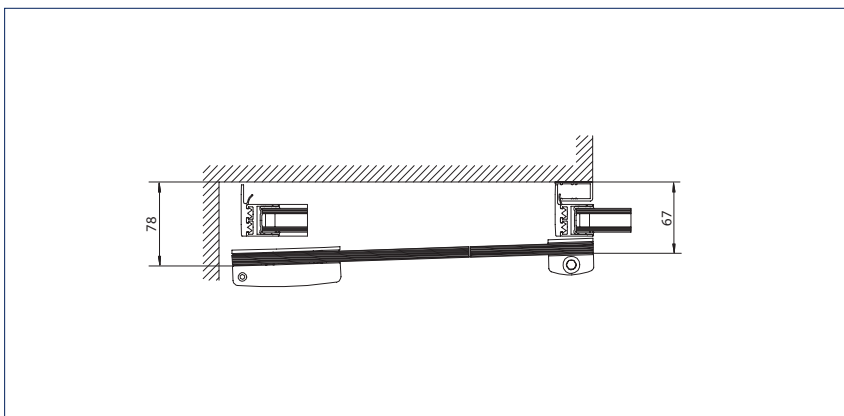


Installation: Wall mounting with longer drive and carrier between the walls

LB = Clear overall width
 STB = Width of side parts
 LD = Clear passage
 FW = Travel path
 FB = Leaf width
 ÖW = Opening width

Door leaf and protective door leaf

Drawing no. 70504-ep11

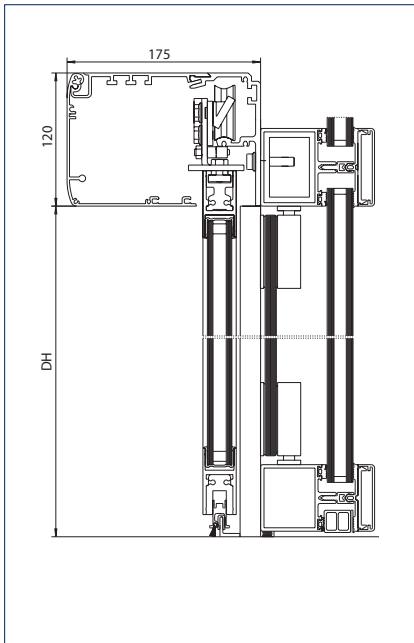
Protective door leaf: Drive installation
DH = Passage heightProtective door leaf: Wall mounting
DH = Passage height

Protective door leaf

Door leaf and safety leaf

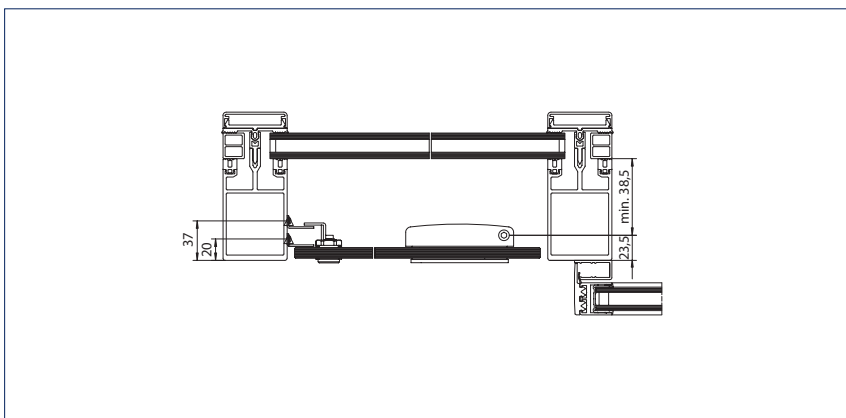
Drawing no. 70504-ep14

Note: See installation drawing for area of application



Installation: To post-rail structure with safety leaf

DH = Passage height



Installation: To post-rail structure with safety leaf



ECdrive, Akbatı, İstanbul, Turkey (Photo: Tarık Kaan Muşlu)

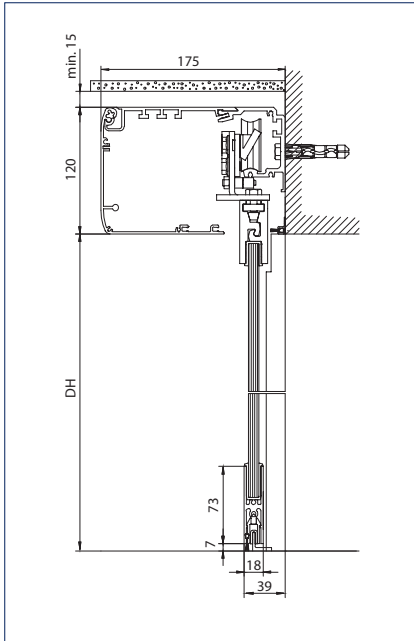
GEZE ECdrive

GEZE ECdrive

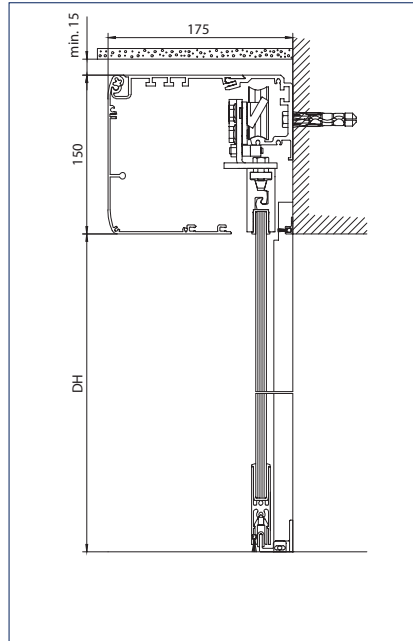
ESG-clamp fitting

Door leaf

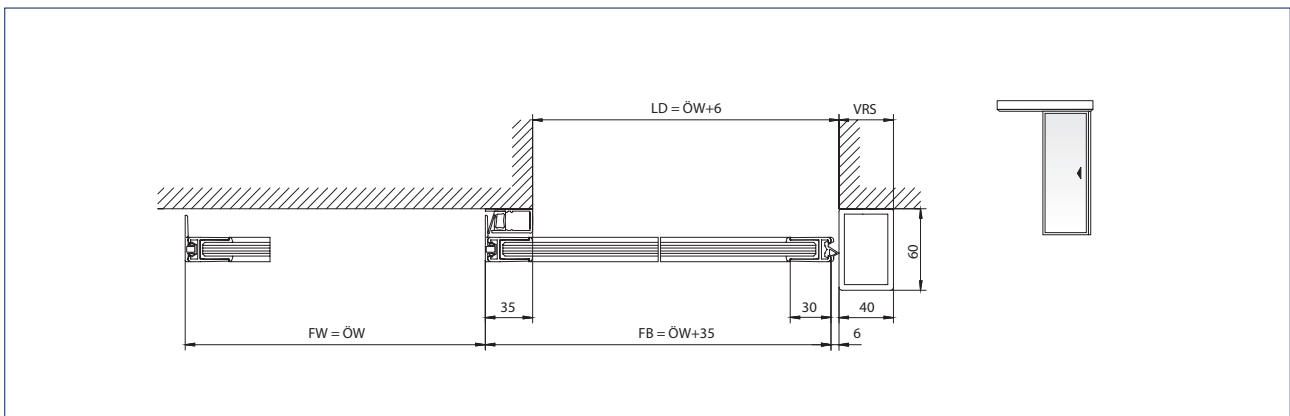
Drawing no. 70506-ep03



Floor guide: For floor mounting
DH = Passage height



Floor guide: Adjustable for wall mounting
DH = Passage height



1-leaf door system

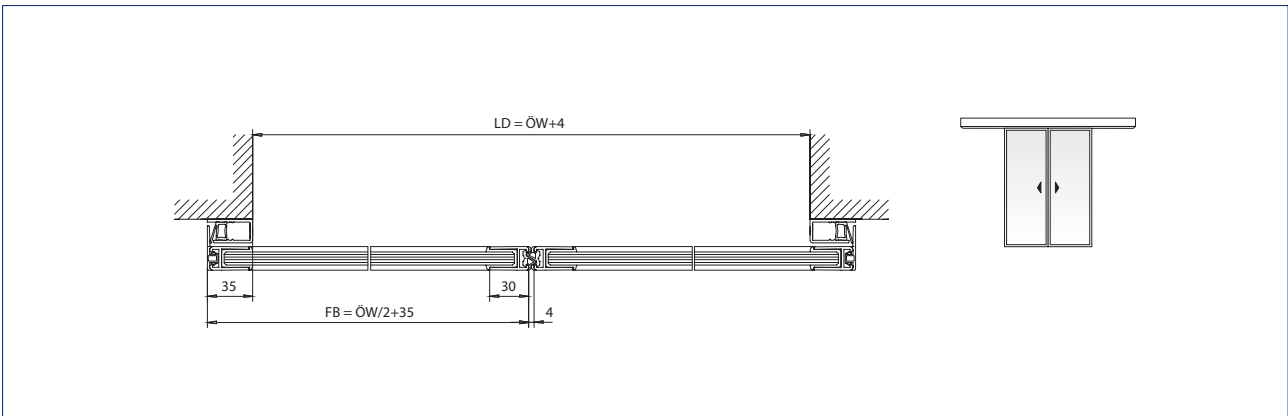
LD = Clear passage

FW = Travel path

FB = Leaf width

ÖW = Opening width

VRS = Drive extension right



2-leaf door system

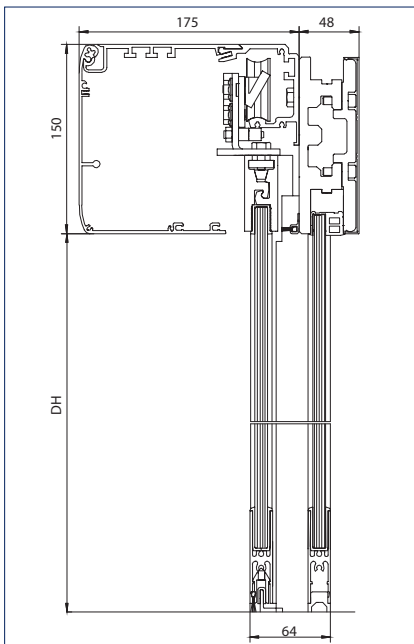
LD = Clear passage

FB = Leaf width

$\ddot{O}W$ = Opening width

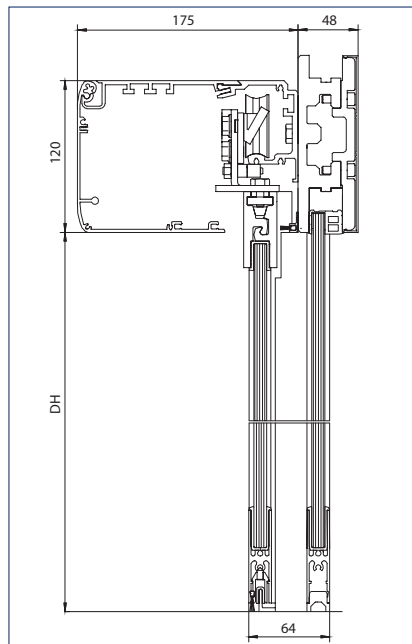
Door leaf and side parts

Drawing no. 70504-ep13



Version with 120 mm hood

DH = Passage height

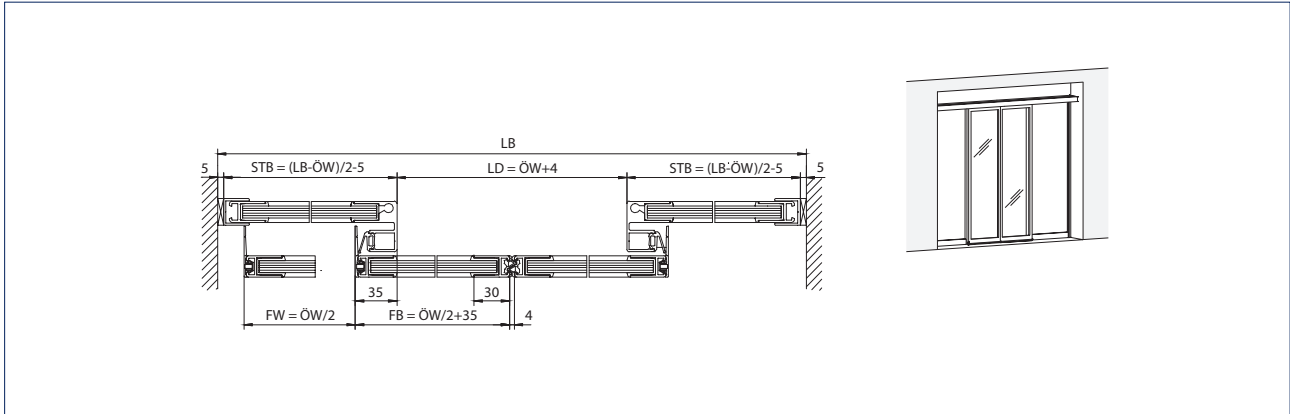


Version with 150 mm hood

DH = Passage height

GEZE ECdrive

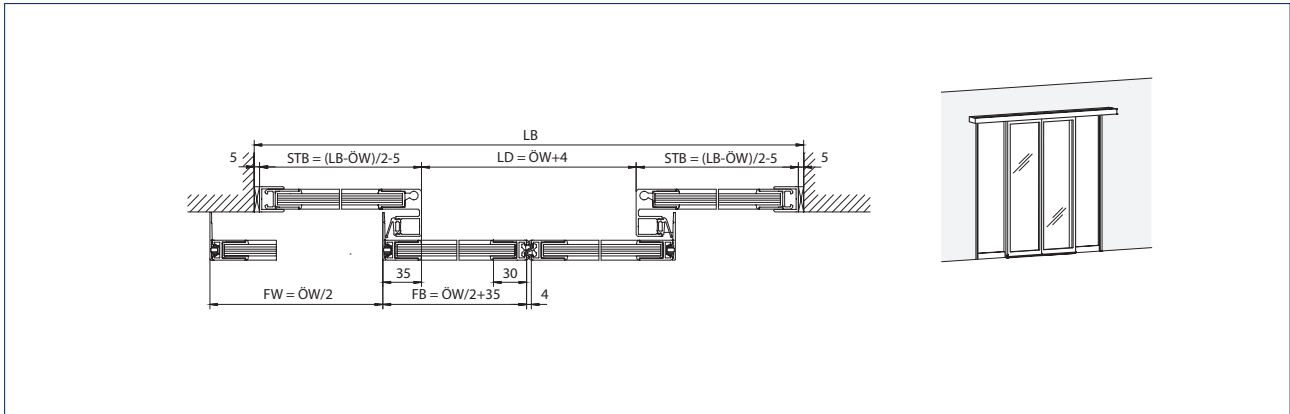
Note: See installation drawing for area of application



Installation: Cantilevered installation

- LB = Clear overall width
- STB = Width of side parts
- LD = Clear passage
- FW = Travel path
- FB = Leaf width
- ÖW = Opening width

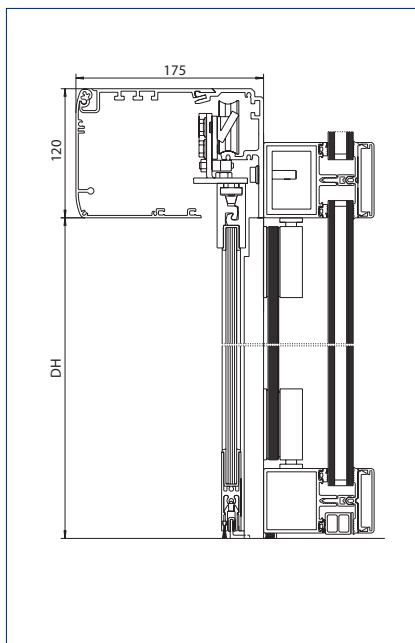
Note: See installation drawing for area of application



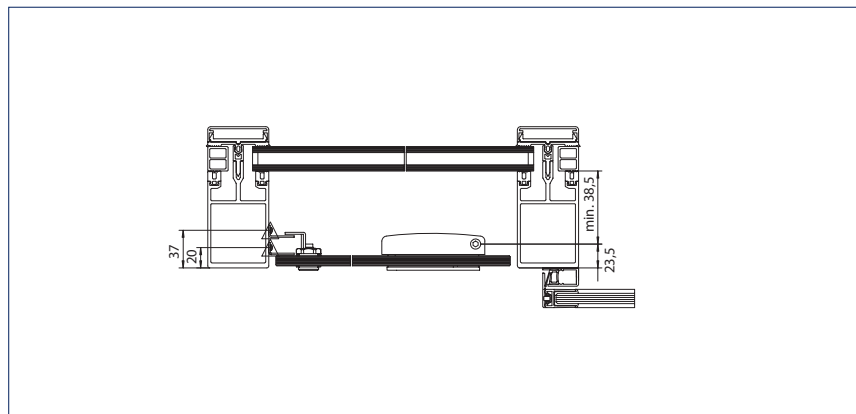
Installation: Wall mounting with longer drive and carrier between the walls

Door leaf and safety leaf

Drawing no. 70504-ep14



Installation: To post-rail structure with safety leaf



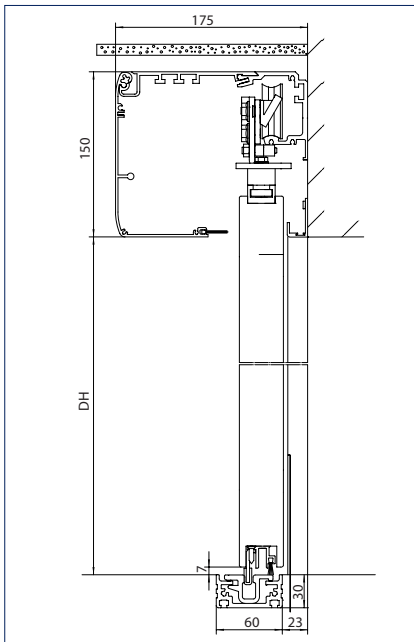
Installation: To post-rail structure with safety leaf

DH = Passage height

GEZE ECdrive

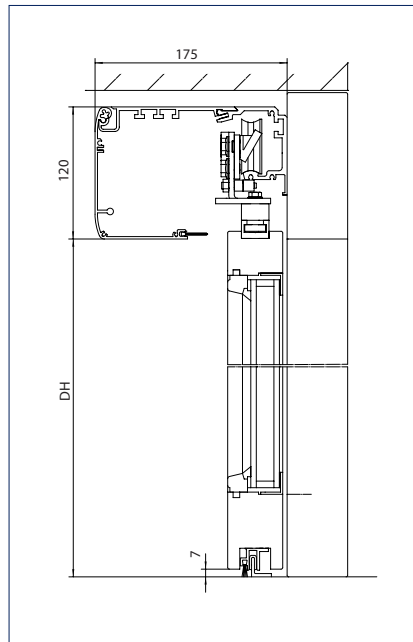
Wooden leaves

Drawing no. 70504-ep09



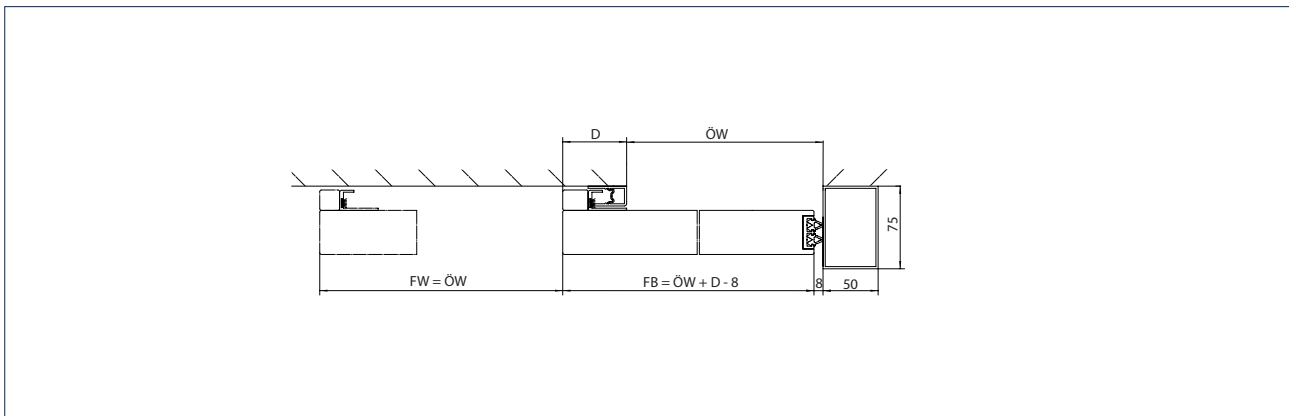
Version with 150 mm hood and continuous floor guide

DH = Passage height



Version with 120 mm hood and floor guide for floor mounting

DH = Passage height



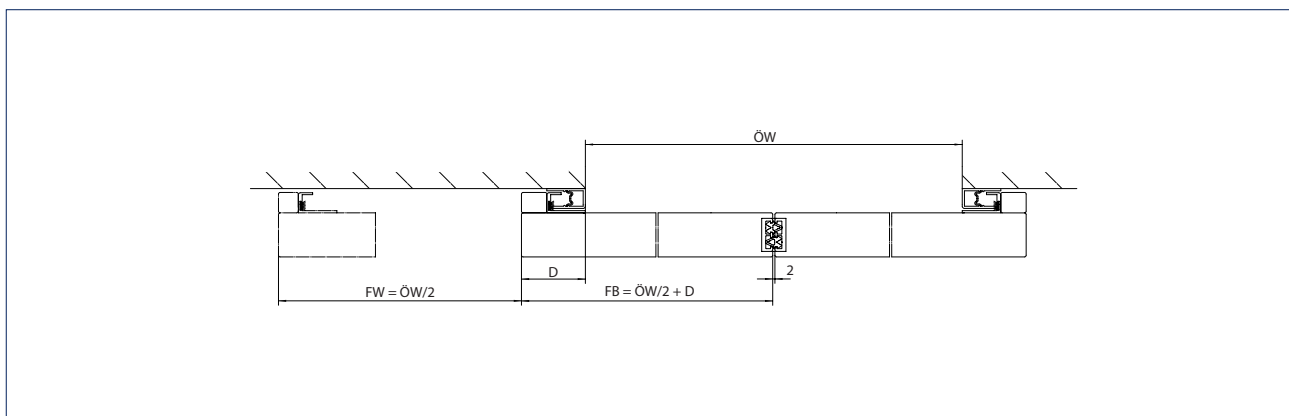
1-leaf door system

D = Projection

FB = Leaf width

FW = Travel path

ÖW = Opening width



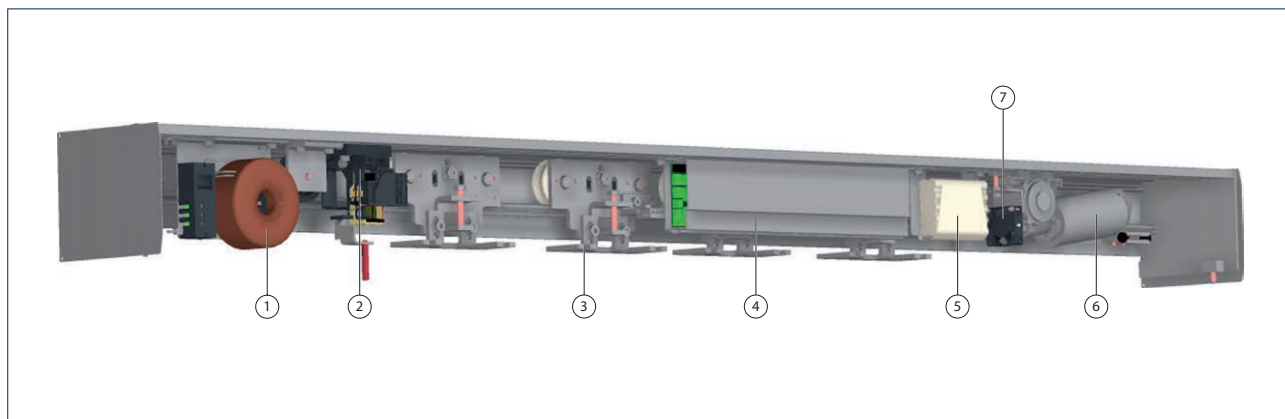
2-leaf door system

GEZE POWERDRIVE PL

GEZE Powerdrive PL

Drive system for automatic linear sliding doors with large, heavy leaves

The trademarks of the Powerdrive series are convenience and safety even for heavy doors. Large entrances and opening widths combined with high leaves make special demands on door drive technology. And this is exactly where the strengths of the Powerdrive come into their own. Economic and powerful, this drive moves heavy door leaves up to 200 kg (in the emergency exit route version up to 160 kg). Optimum running characteristics and low wear thanks to compatible profiling of the rollers and running rail allows use in areas with a high through-traffic volume.



- 1 = Transformer
- 2 = Locking
- 3 = Roller carriage
- 4 = Control
- 5 = Battery
- 6 = Motor
- 7 = Fan

Drive components

Technical data	PL	PL-FR
Transformer	Ring core with fuse and main switch	
Voltage	230 V	
Frequency	50 – 60 Hz	
Capacity rating	200 W	
Locking	Toothed belt locking, electromagnetic, bi-stable	
Roller carriage		
Door leaf adjustment vertical	12 mm	
Door leaf adjustment horizontal	40 mm	
Anti-tilt protection	fitted as standard	
Self-cleaning	•	•
Control	DCU1	DCU1-2M
With fault memory	•	•
With memory for statistical data	•	•
Software update possible	•	•
Optional bus interface	•	•
Connection for fire alarm system	•	•
Power supply for peripherals	•	•
Programmable inputs	3 pc.	
Programmable outputs	2 pc.	
Battery	NiCd, 24 V, 700 mA	
Motor	Gear motor	Double gear motor
Torque	400 Ncm	

• = YES
- = NOT AVAILABLE

Technical data

Product features	PL	PL-FR
For 1-leaf door systems	•	•
For 2-leaf door systems	•	•
Height	150 / 200 mm	
Depth	185 mm	
Leaf weight (max.) 1-leaf	200 kg	160 kg
Leaf weight (max.) 2-leaf	200 kg	160 kg
Opening width 1-leaf	700 – 3000 mm	
Opening width 2-leaf	800 – 3000 mm	
Passage height (max.)		
Temperature range	-15 – 55 °C	
Enclosure rating	IP 20	
Disconnection from power supply	Main switch in the drive	
Opening speed (max.)	0,8 m/s	
Closing speed (max.)	0,8 m/s	
Hold-open time	0 – 60 S	
Adjustable opening and closing force (max.)	150 N	
Automatic adaptation to traffic flow	•	•
Automatic reversal when an obstacle is detected	•	•
Pharmacy opening	•	•
Lock function	•	-
Vestibule function	•	-
Automatic opening in the event of a power failure	adjustable	fitted as standard
Automatic closing in the event of a power failure	adjustable	not available
Function in the event of a power failure	adjustable for 30 min. / 30 cycles	Open
Automatic opening in the event of a fault	not available	fitted as standard
Approvals	DIN 18650 BGR232 DIN EN ISO 13849 Performance Level D	DIN 18650 BGR232 DIN EN ISO 13849 Performance Level D AutSchR

- = YES
- = NOT AVAILABLE

Fitting variations

Fittings	PL
ISO-glass fine-framed	•
MONO-glass fine-framed	•
ESG clamping profile	•
All-glass system (GGS)	-
Integrated all-glass system (IGG)	-
Frame leaf (provided by customer)	•
Wooden leaf (provided by customer)	•
Fire protection leaf T30 (Hörmann)	-

- = YES
- = NOT AVAILABLE

GEZE POWERDRIVE PL

Calculations for Powerdrive PL

Drive length and glass dimensions

Calculation of the drive length AL in mm*

Powerdrive	PL	PL-FR**
2-leaf	$\ddot{O}W = 800 - 3000, AL = 2 \times \ddot{O}W + 100$	$\ddot{O}W = 800 - 3000, AL = 2 \times \ddot{O}W + 100$
1-leaf	$\ddot{O}W = 700 - 3000, AL = 2 \times \ddot{O}W + 65$	$\ddot{O}W = 700 - 3000, AL = 2 \times \ddot{O}W + 65$

* Minimum overall length of the system with ISO-glass profile system

** Request drawing for FR variations (FR-RWS, FR-LL)!

Note:

Opening widths of emergency route sliding doors < 1000 mm are only permitted in exceptional cases.

For external installations with an opening width of more than 2000 mm, a continuous floor guide is recommended.

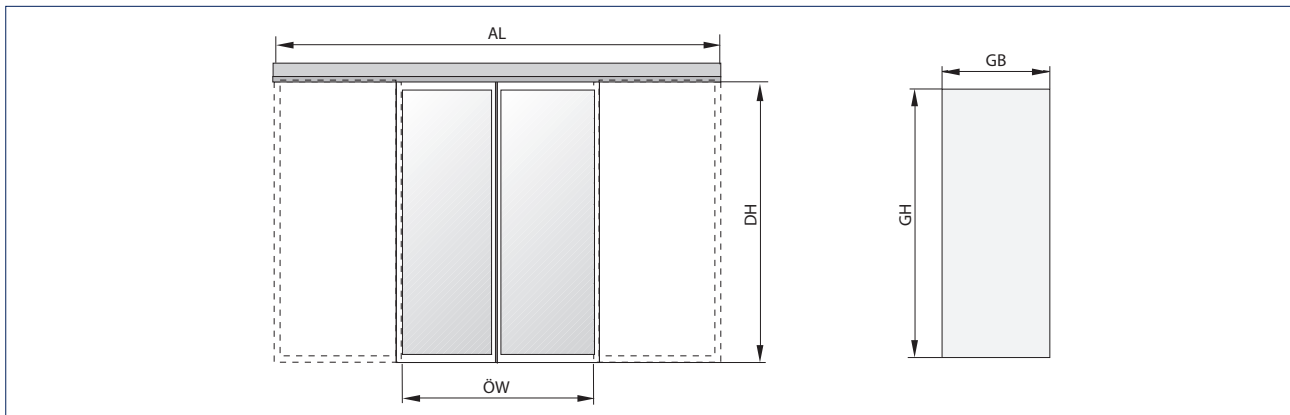
The minimum opening widths depend on the requirements of building law.

Calculation of leaf and glass dimension in mm

		ISO-glass with ALu-NSK	ISO-glass with rubber-NSK	ESG
Leaf width	1-leaf	$\ddot{O}W + 40$	$\ddot{O}W + 35$	$\ddot{O}W + 35$
	2-leaf	$\ddot{O}W / 2 + 40$	$\ddot{O}W / 2 + 35$	$\ddot{O}W / 2 + 35$
Leaf height	with hood 150 mm	DH		
	with hood 200 mm	DH + 50		
Glass width	1-leaf	$\ddot{O}W$	$\ddot{O}W$	$\ddot{O}W + 9$
	2-leaf	$\ddot{O}W / 2$	$\ddot{O}W / 2$	$\ddot{O}W / 2 + 9$
Glass height		FH - 90	FH - 90	FH - 85
Glass thickness		22	22	10, 12

Note:

max. leaf ratio width to height 1:4



AL = Drive length

DH = Passage height

GB = Glass width

GH = Glass height

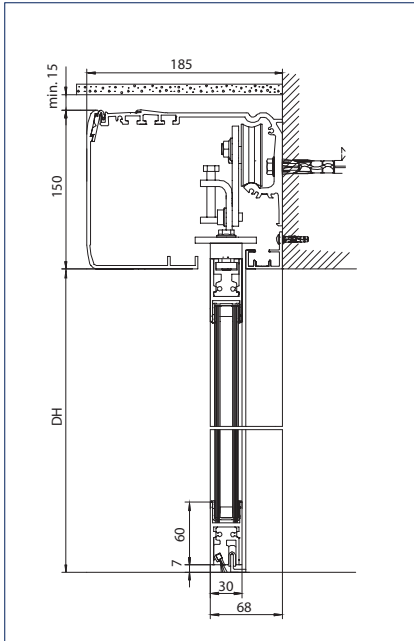
ÖW = Opening width

GEZE Powerdrive PL

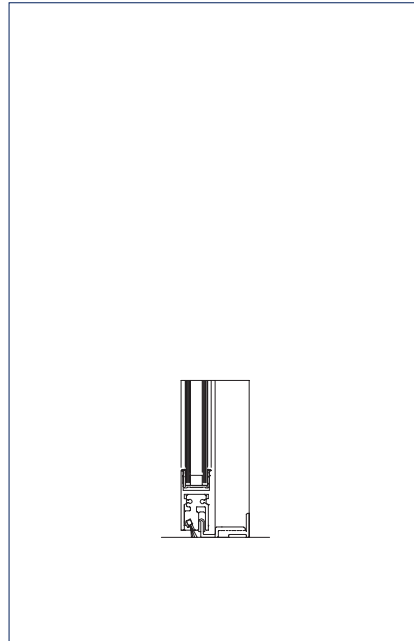
ISO/MONO-glass fitting

Door leaf

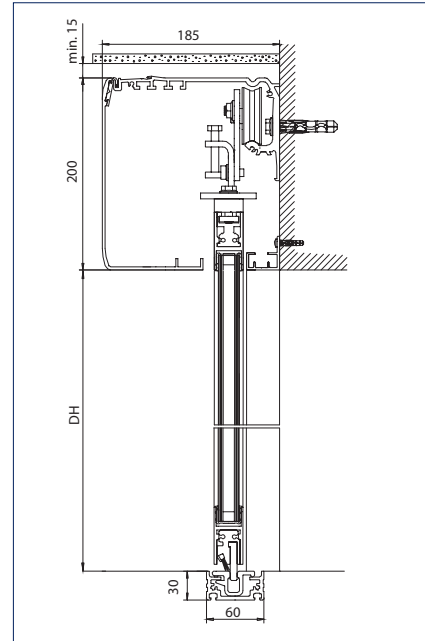
Drawing no. 70506-ep01



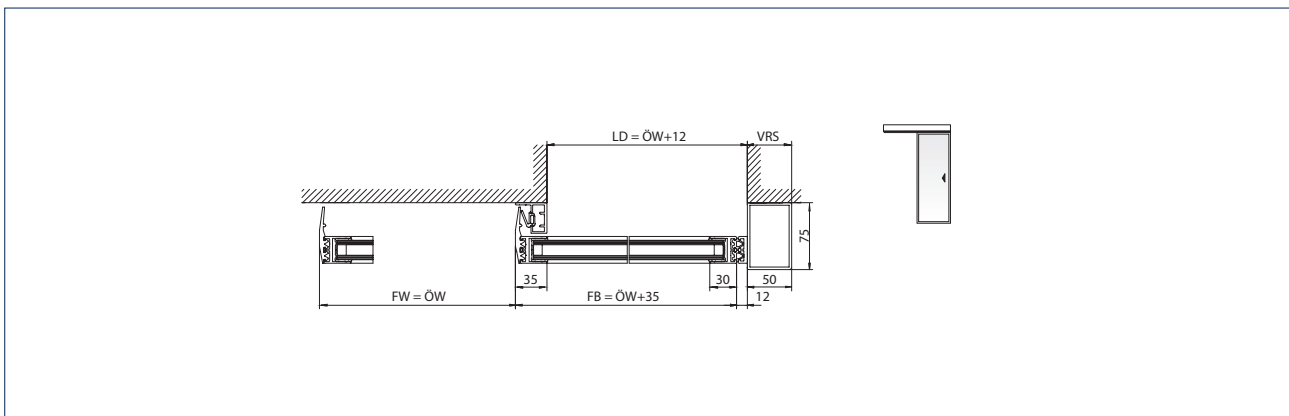
Floor guide: For floor mounting
 DH = Passage height



Floor guide: Adjustable for wall mounting



Floor guide: Continuous
 DH = Passage height

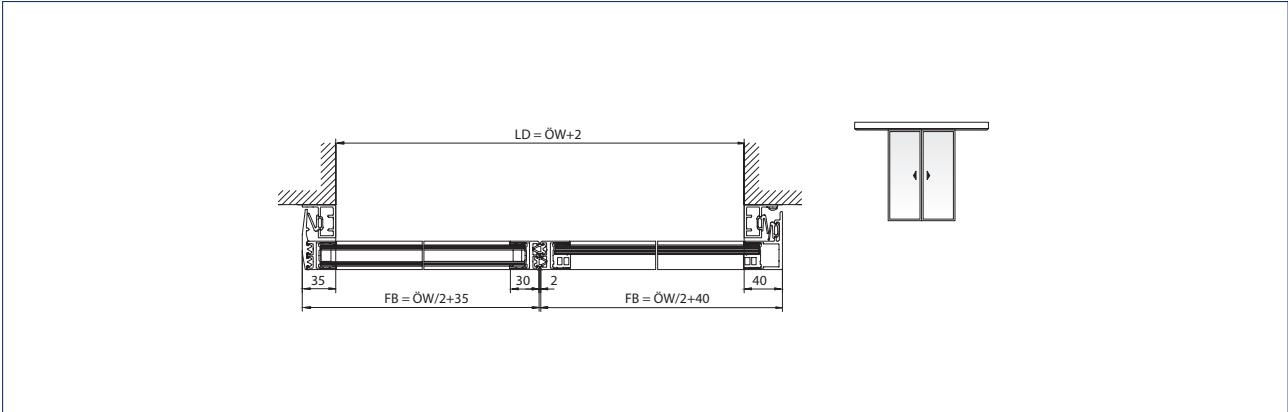


1-leaf door system
 LD = Clear passage
 FW = Travel path
 FB = Leaf width
 ÖW = Opening width
 VRS = Drive extension right

GEZE POWERDRIVE PL

Slimdrive
ECdrive
Powerdrive

Automatic
sliding door systems



2-leaf door system

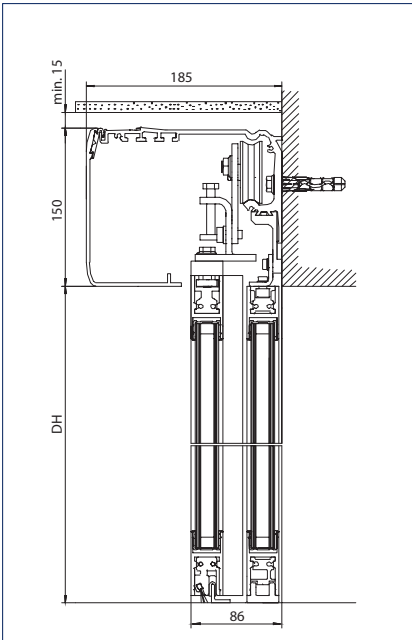
LD = Clear passage

FB = Leaf width

ÖW = Opening width

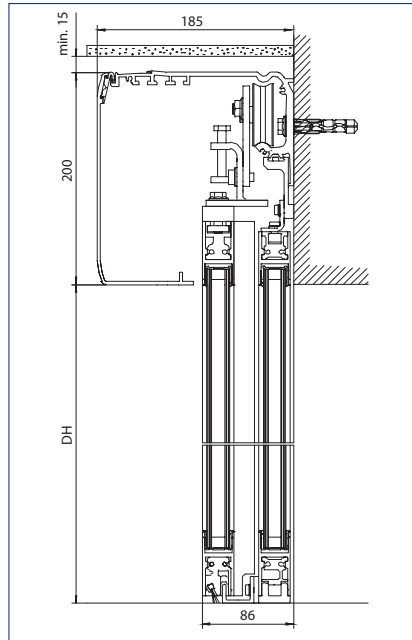
Door leaf and side parts

Drawing no. 70506-ep02



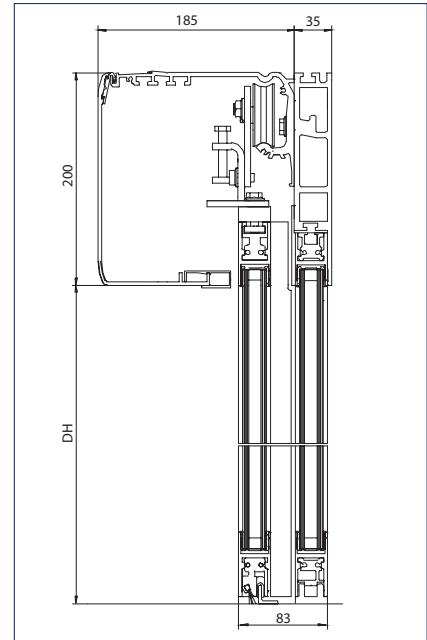
Door system with door leaf and side parts under drive

DH = Passage height



Door system with door leaf and side parts under drive

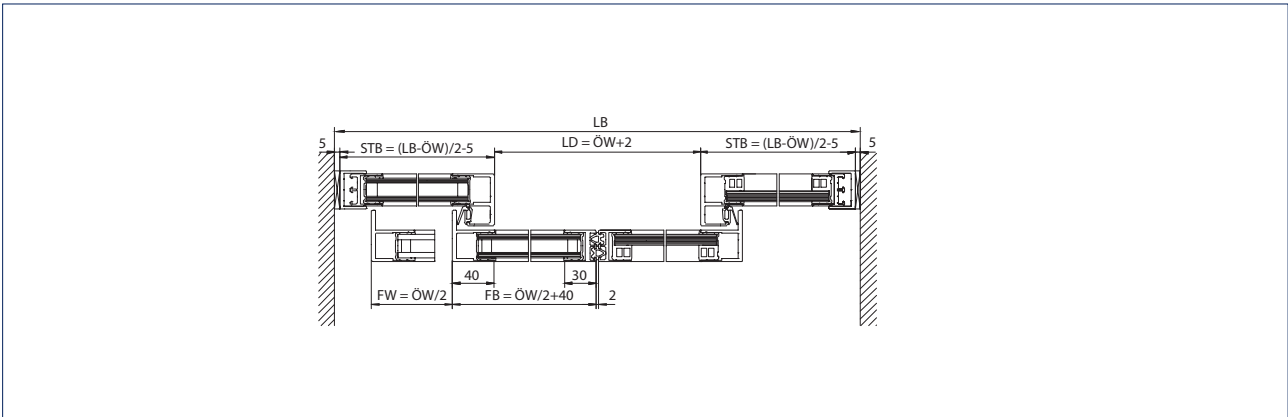
DH = Passage height



Door system with door leaf and side parts under carrier

DH = Passage height

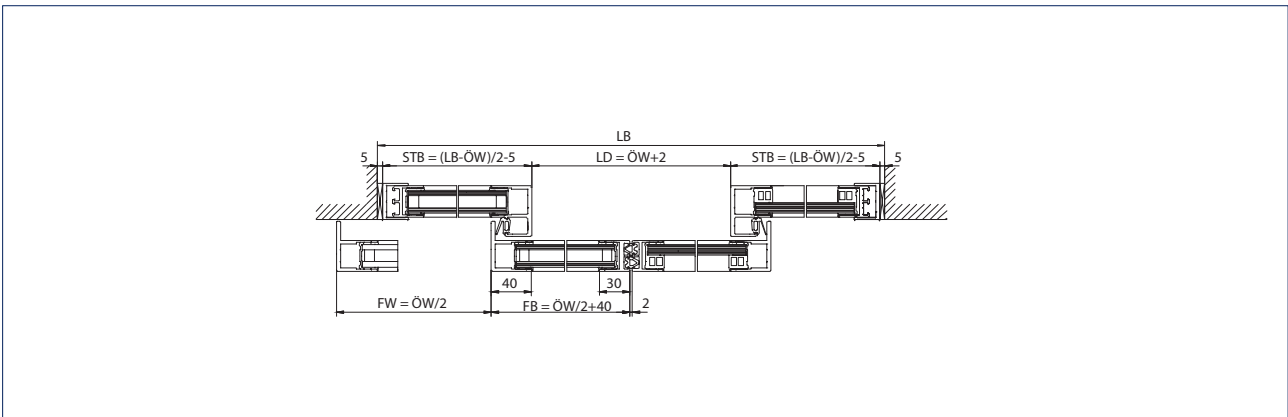
Note: See installation drawing for area of application



Installation: Cantilevered installation

- LB = Clear overall width
- STB = Width of side parts
- LD = Clear passage
- FB = Leaf width
- ÖW = Opening width

Note: See installation drawing for area of application



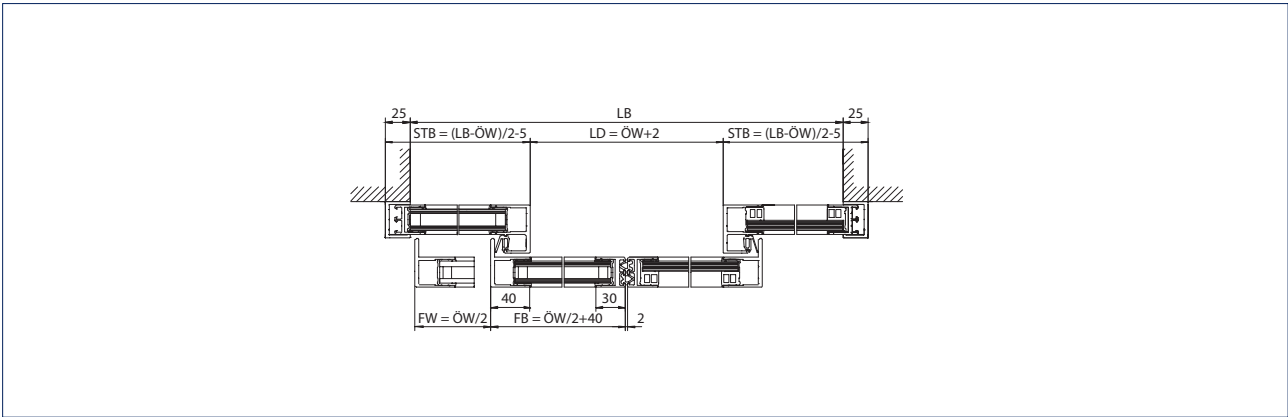
Installation: Wall mounting with longer drive and carrier between the walls

- LB = Clear overall width
- LD = Clear passage
- FW = Travel path
- FB = Leaf width
- ÖW = Opening width

GEZE POWERDRIVE PL

Slimdrive
ECdrive
Powerdrive

Automatic
sliding door systems

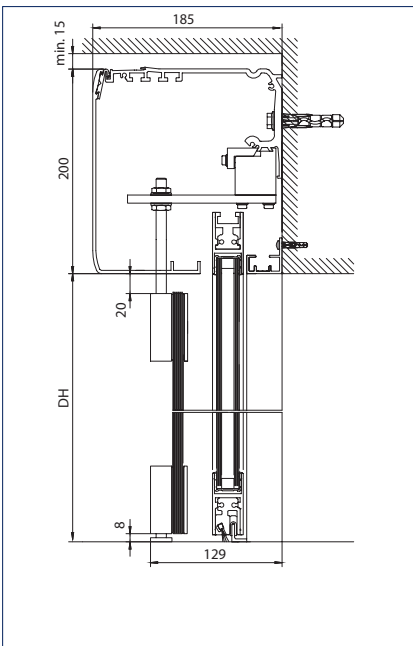


Installation: Wall mounting

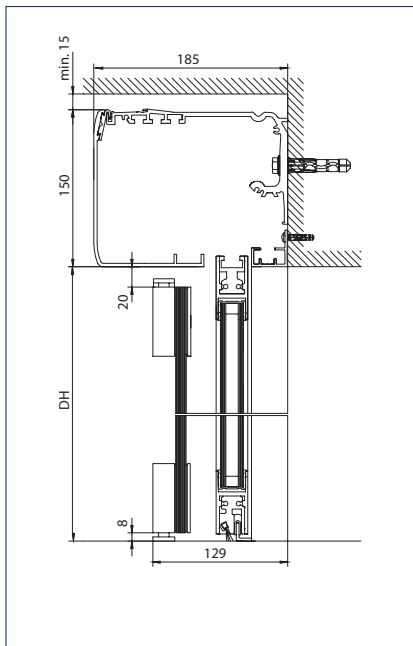
- LB = Clear overall width
- STB = Width of side parts
- LD = Clear passage
- FW = Travel path
- FB = Leaf width
- $\ddot{O}W$ = Opening width

Door leaf and protective door leaf

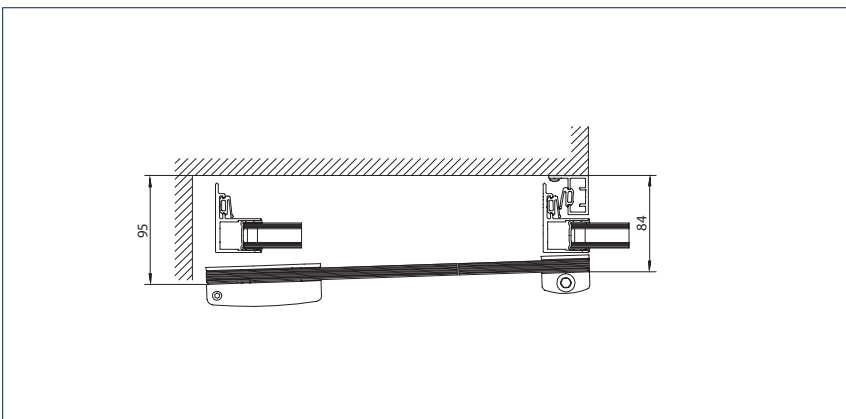
Drawing no. 70499-ep05



Protective door leaf: Drive installation
DH = Passage height



Protective door leaf: Wall mounting
DH = Passage height



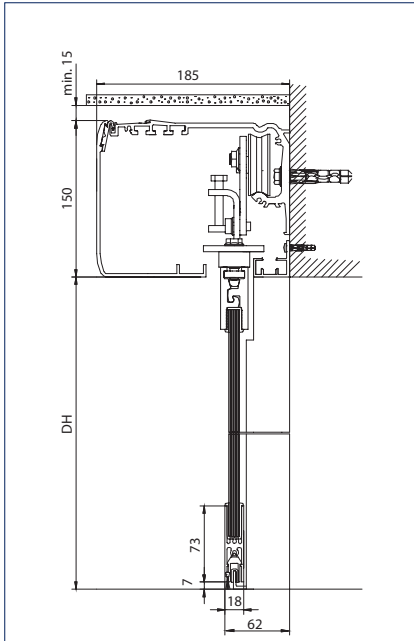
Protective door leaf

GEZE Powerdrive PL

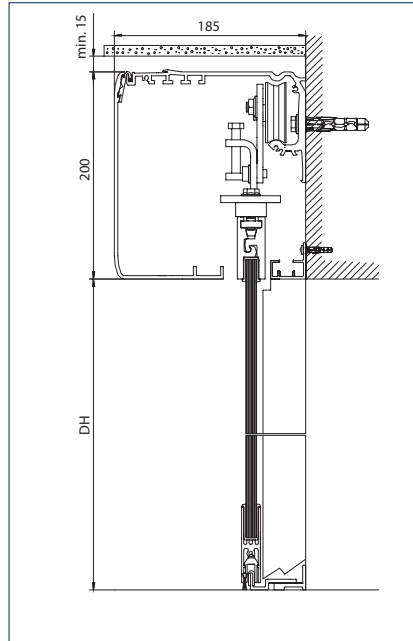
ESG-clamp fitting

Door leaf

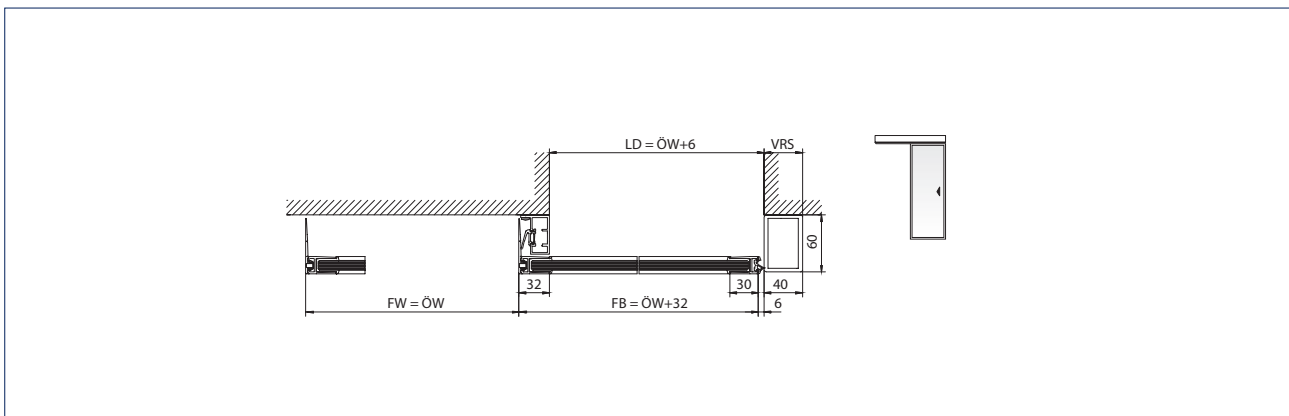
Drawing no. 70506-ep03



Floor guide: For floor mounting
 DH = Passage height



Floor guide: Adjustable for wall mounting
 DH = Passage height

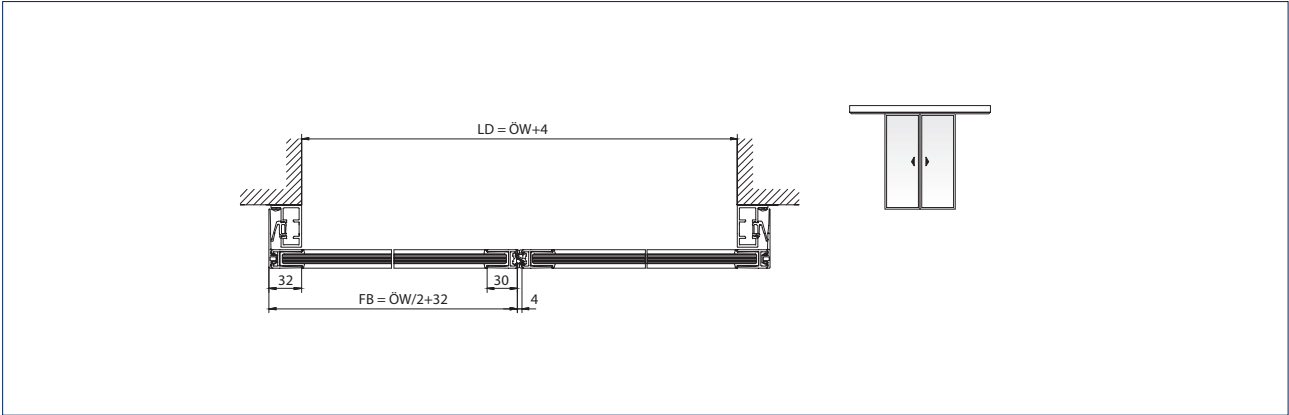


1-leaf door system
 LD = Clear passage
 FW = Travel path
 FB = Leaf width
 ÖW = Opening width
 VRS = Drive extension right

GEZE POWERDRIVE PL

Slimdrive
ECdrive
Powerdrive

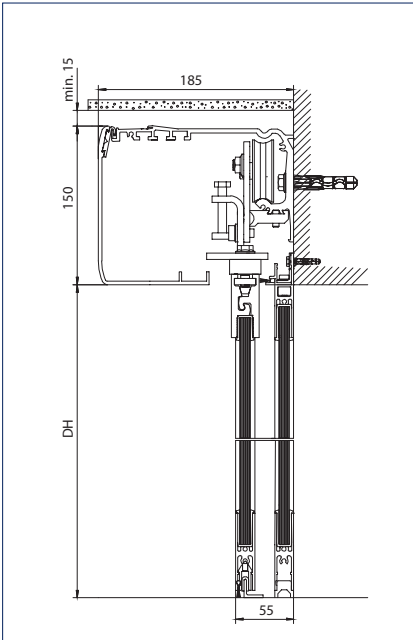
Automatic
sliding door systems



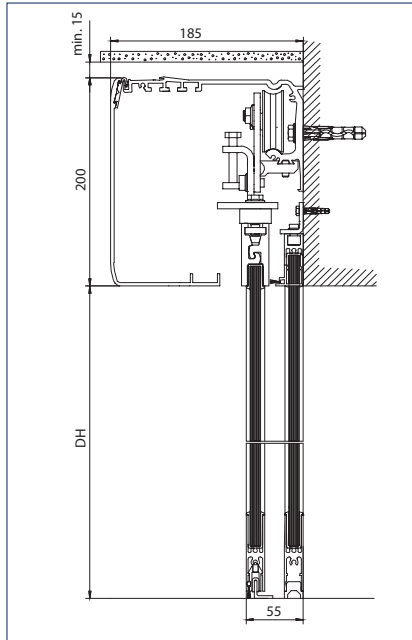
2-leaf door system
LD = Clear passage
FB = Leaf width
 $\ddot{O}W$ = Opening width

Door leaf and side parts

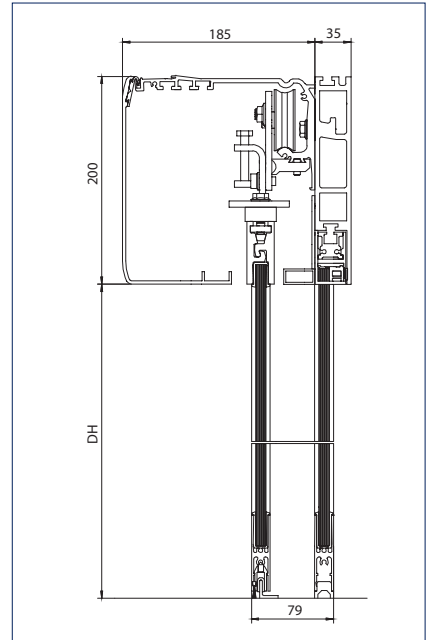
Drawing no. 70506-ep04



Door system with door leaf and side parts under drive
DH = Passage height

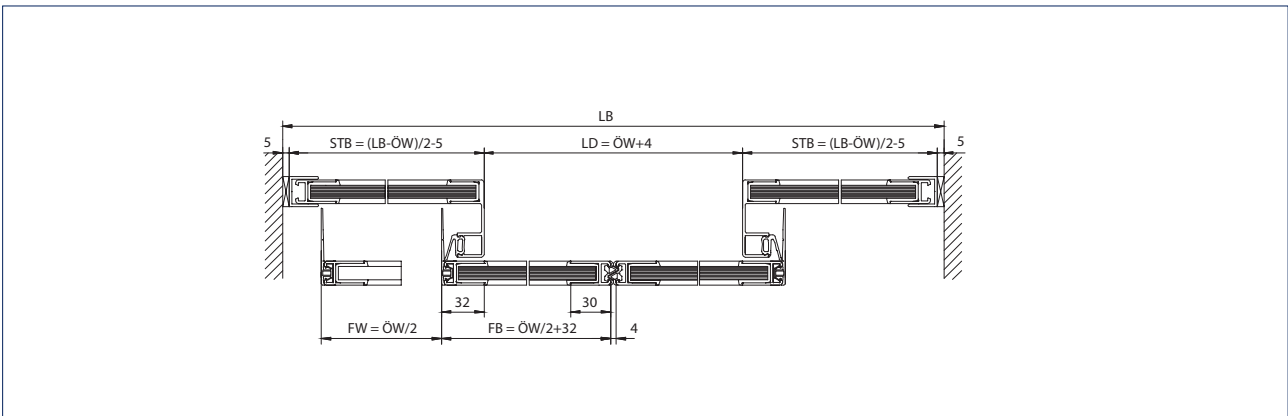


Door system with door leaf and side parts under drive
DH = Passage height



Door system with door leaf and side parts under carrier
DH = Passage height

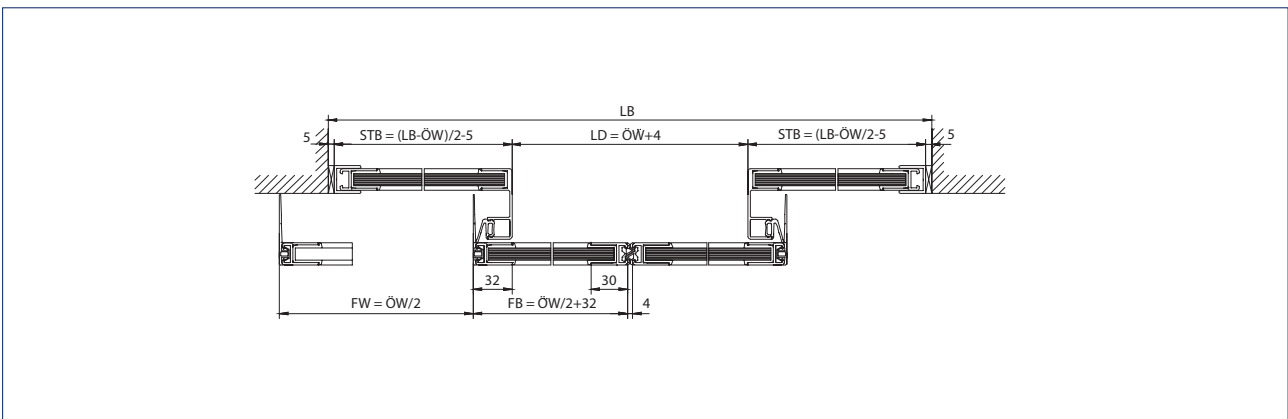
Note: See installation drawing for area of application



Installation: Cantilevered installation

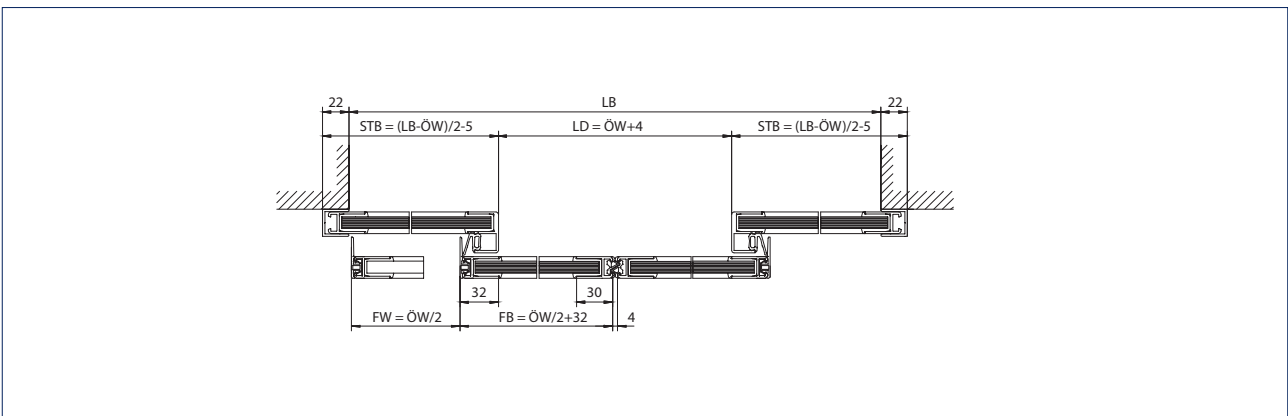
- LB = Clear overall width
- STB = Width of side parts
- LD = Clear passage
- FW = Travel path
- FB = Leaf width
- ÖW = Opening width

Note: See installation drawing for area of application



Installation: Wall mounting with longer drive and carrier between the walls

- LB = Clear overall width
- STB = Width of side parts
- LD = Clear passage
- FW = Travel path
- FB = Leaf width
- ÖW = Opening width



Installation: Wall mounting

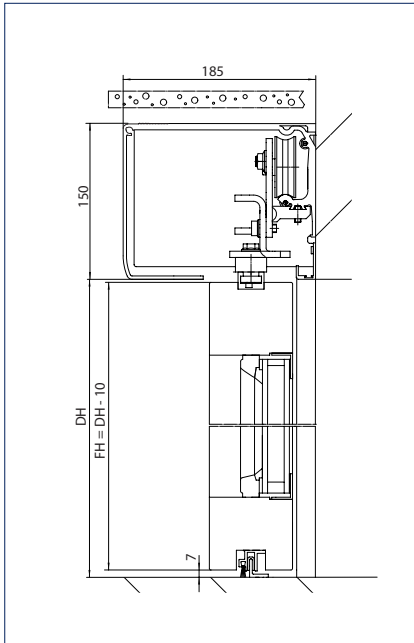
- LB = Clear overall width
- STB = Width of side parts
- LD = Clear passage
- FW = Travel path
- FB = Leaf width
- ÖW = Opening width

GEZE POWERDRIVE PL

GEZE Powerdrive PL

Wooden leaves

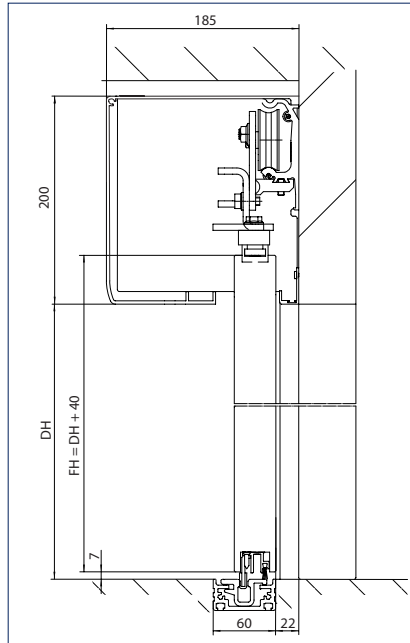
Drawing no. 70506-ep09



Version with 150 mm hood and floor guide for floor mounting

DH = Passage width

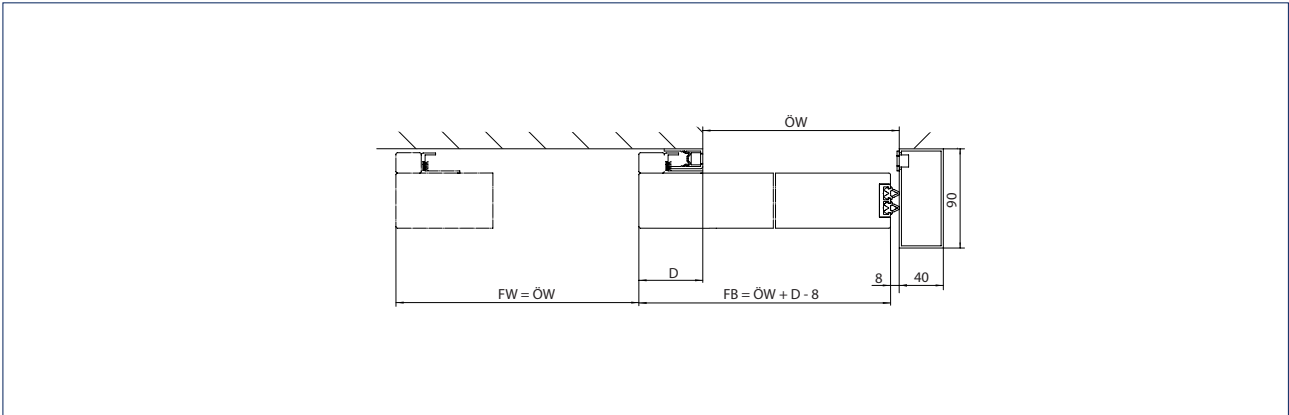
FH = Leaf height



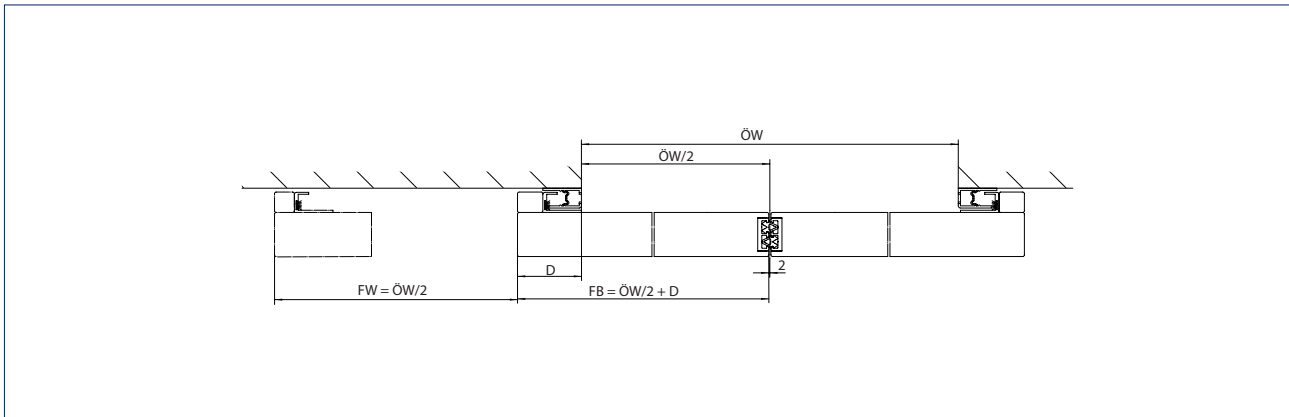
Version with 200 mm hood and continuous floor guide

DH = Passage height

FH = Leaf height



1-leaf door system
 D = Projection
 FB = Leaf width
 FW = Travel path
 ÖW = Opening width



2-leaf door system

GEZE SLIDING, TELESCOPIC AND FOLDING DOORS

Sliding door hardware

Complete design freedom thanks to innovative hardware systems

GEZE supplies the following fitting variations for all sliding door systems:

Door leaf with ISO-glass fine-framed

Attractive door leaves with an extremely slim aluminium frame. They combine the advantages of the frame (e.g. seals) with an inconspicuous design.

Door leaf with MONO-glass fine-framed

The same frame as with the ISO variation but with one single glass pane made of 10 mm ESG or VSG.

VSG = Verbund-Sicherheits-Glas (= laminated safety glass)

ESG = Einscheiben-Sicherheits-Glas (= toughened safety glass)

Door leaf with ESG clamping profile fine-framed

Profile system for 10 mm or 12 mm ESG. The glass pane is clamped in place near the top. Additional aluminium profiles at the sides and bottom ensure tightness, floor guide and compatibility with DIN 18650.

Frame leaf

The drive can be combined with door leaves made of a wide range of different frame profile systems, also thermally separated.

Wooden leaves

The drive can be combined with door leaves provided by the customer made of a wide range of materials e.g. wood.

Integrated all-glass system (IGG)

The profiles and the fittings system are integrated invisibly between the panes – without protruding or visible parts on the glass surface.

All-glass system (GGS)

All-glass design fittings for single point fixing offer maximum transparency. All the visible fittings are made of solid stainless steel.

Fitting variations

	SL NT	SL	SL-BO	SL-RD	SLT	SF	ECdrive	PL
ISO-glass fine-framed	•	•	•	•	•	•	•	•
MONO-glass fine-framed	•	•	-	•	-	•	•	•
ESG clamping profile	-	-	-	-	-	-	•	•
All-glass system (GGS)	•	•	-	-	-	-	-	-
Integrated all-glass system (IGG)	•	-	-	-	•	-	-	-
Frame leaf (provided by customer)	•	•	-	-	-	-	•	•
Wooden leaf (provided by customer)	•	-	-	-	-	-	•	•
Hermetic leaf	-	-	-	-	-	-	-	•
Fire protection leaf T30 (Hörmann)	-	•	-	-	-	-	-	-

- = YES
- = NOT AVAILABLE

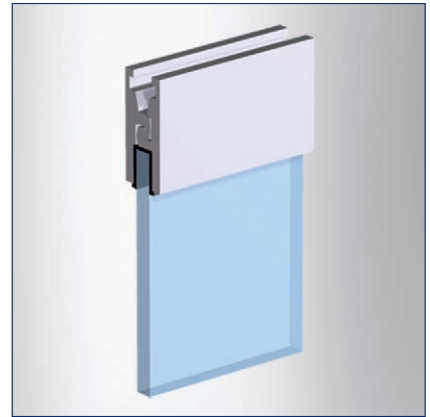
GEZE SLIDING, TELESCOPIC AND FOLDING DOORS



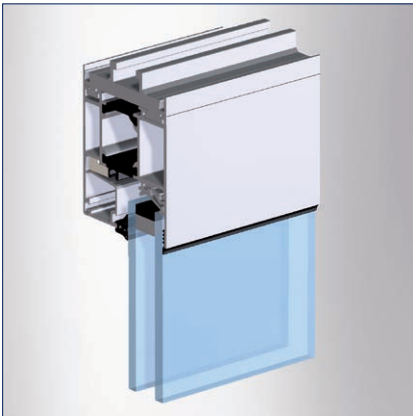
ISO-glass fine-framed



MONO-glass fine-framed



ESG clamping profile



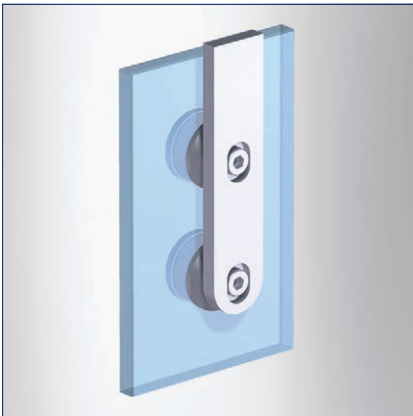
Frame leaf (provided by customer)



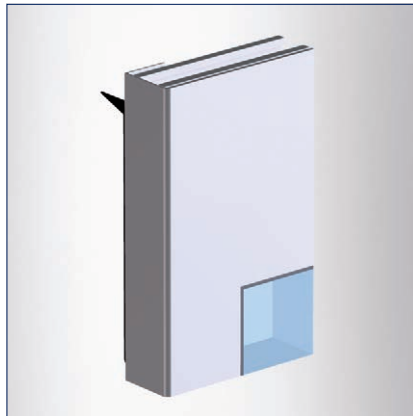
Wooden leaves (provided by customer)



Integrated all-glass system (IGG)



All-glass system (GGS)



Hermetic leaf

Slimdrive
ECdrive
Powerdrive

Automatic
sliding door systems

Operating automatic sliding doors

GEZE offers programme switches for a wide range of individual requirements. The switches are suitable for universal use – for surface-mounted or flush-mounted installation. The following switch types are available:

Display programme switch (DPS)

Key programme switch (TPS)

Mechanical programme switch (MPS)

The following operating modes can be set:

“Permanently open”

The door moves to the OPEN position and remains open. Movement detector or opening button are deactivated.

“Night”

The movement detectors are switched inactive, the door closes.

Option: The door leaves are locked electrically to prevent forced opening.

“Shop closing” (one-way)

The door only opens and closes when someone goes out from the inside.

The movement detector outside is switched inactive, the one inside is switched active.

“Automatic”

The door opens as soon as it is actuated via the movement detector or keys, and closes after a certain individually adjustable time. Safety sensors protect the leaves' travel path. If there is someone in the door opening, the door will not close.

“Reduced opening width”

The settings determined in teach mode are activated or deactivated.

“OFF”

Drive and sensors are switched off, the door leaves can be moved manually.

Key switch

The programme switch can be disabled using a key switch.

Securing the programme switches

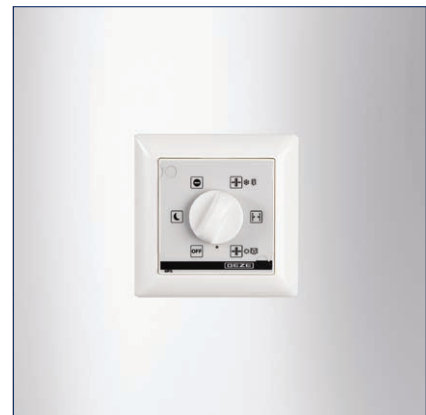
Automatic sliding doors in emergency exit routes must be secured against operation by unauthorised people. The mechanical programme switch (MPS) is also available in a lockable version. The display programme switch (DPS) and key programme switch (TPS) can be combined with a key switch. Alternatively, these programme switches can be secured using a code.



Display programme switch (DPS)



Key programme switch (TPS)



Mechanical programme switch (MPS)

Automatic actuation

Reliable actuation with GEZE sensors

Combined detector

Combined detectors are radar movement detectors using an infrared light curtain. Actuation and protection are integrated in the sensor, reducing installation efforts. Individual attachment possibilities through wall, ceiling or integrated ceiling recess installation provide lots of design freedom. The use of a remote control guarantees quick and easy commissioning. The sensor is actuated reliably on the basis of direction of movement and the fading out of cross-traffic. Slow movements can be detected thanks to the "slow motion detection" feature. The protection area can be configured as required. Combined detectors for emergency exit routes offer maximum safety through integrated self-monitoring.



Combined detector GC 363



Combined detector GC 365

Radar movement detector

Radar movement detectors register all objects that move within the radar field. All movements within the radiation range cause a time-delayed reflection which is forwarded as a door opening signal. The pre-programmed convenience setting of the GEZE radar movement detectors ensures they can be put into operation quickly. Automatic configuration is possible via keys or a remote control. Reliable detection is achieved with a clearly defined radar field. Energy can be saved through detection of people's direction of movement. Excessive door opening is avoided since cross-traffic can be faded out.



Radar movement detector GC 302



Radar movement detector GC 304

Manual actuation

Push buttons

GEZE push buttons for the wireless actuation of system doors – reliable, convenient and safe at the push of a button.

Non-contact capacitive push button

The design-oriented and sturdy LED sensor button makes intuitive and straightforward operation possible. No great efforts are required for actuation – touching the button slightly is sufficient. Suitable for use both indoors and outdoors, the LED sensor button can be recognised easily in the dark thanks to the blue LED lighting. In addition, the sensor has raised Braille lettering on it. An acoustic and visual signal initiates actuation through the push button. The push button is waterproof, impact-resistant and vandalism-proof. This makes it very well suited for outdoor use or installation in the floor.

Non-contact infrared sensor

Open doors in a flash: With GEZE infrared sensors, internal doors without precise perception requirement can be actuated cleanly and comfortably. Active infrared sensors ensure hygienic access to toilet facilities, for example. The risks of infection are also minimised in hotel kitchens, hospitals and doctors' surgeries. The impulse generator is installed at hand height and precisely detects people and objects – independently of their direction of movement – both in the direct vicinity of only 5 cm as well as 0.6 m away. The different scanning ranges can be optimally adapted to existing environmental conditions and the wishes of the user groups. The non-contact sensor system provides maximum operating convenience – people only need to approach them to trigger the automatic opening mechanism. The optimum system structure permits simple and time-saving installation in the flush-mounted box.

Radio actuation

GEZE radio transmitters are used for wireless actuation of doors and windows as a multi-channel solution. For every additional channel, an additional electrical device or function can be switched at the push of a button. Thanks to the very small size of the radio modules, radio transmitters can easily be integrated in the drive or in a flush-mounted box. They can also be clipped directly into the elbow switched and mounted without wires on glass.



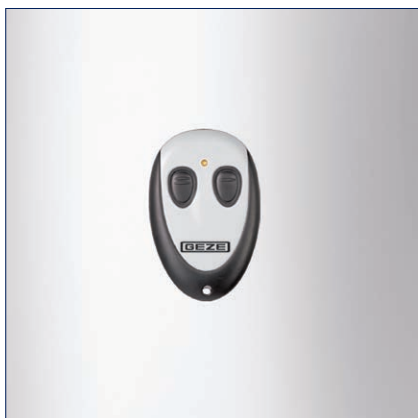
Push buttons



Non-contact capacitive push button



Non-contact infrared sensor



Radio actuation



Large-scale button made of plastic



Large-scale button made of stainless steel

Electronic protection

Infrared light curtain

GEZE light curtains are used to secure posts, main and secondary closing edges both inside and outside. The light curtains have an invisible and non-contact protective device. Precise detection is possible through a clearly defined field, the size of which can be adjusted. Individual applications allow the use of light curtains as protective sensors or opening impulse generators.

Infrared light barrier

GEZE safety light barriers are available as single-beam and double-beam versions. This guarantees the easy and reliable protection of main closing edges with tried-and-trusted technology. The design permits flexible installation in different door profiles. The integrated electronics guarantee fast installation and compact space requirements.

Note: In Europe (CEN Countries), as of 2013, the use of light barriers is not permitted according to EN 16005 / DIN 18650.



Infrared light barrier

Mechanical protection

Protective door leaf

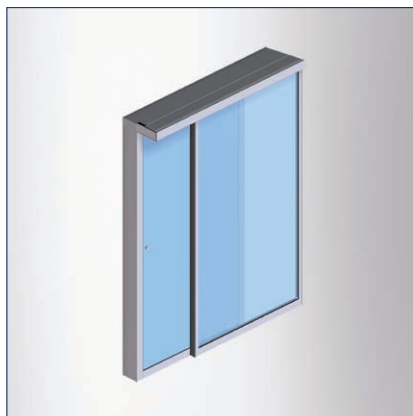
Protective door leaves are used on escape and rescue routes if it is not possible to secure the secondary closing edges using light curtains. Automatic sliding doors on escape and rescue routes must be able to be opened at any time.

Safety leaf

Safety leaves are used to secure the cavities behind automatic sliding doors in post-rail structures.



Protective door leaf



Safety leaf

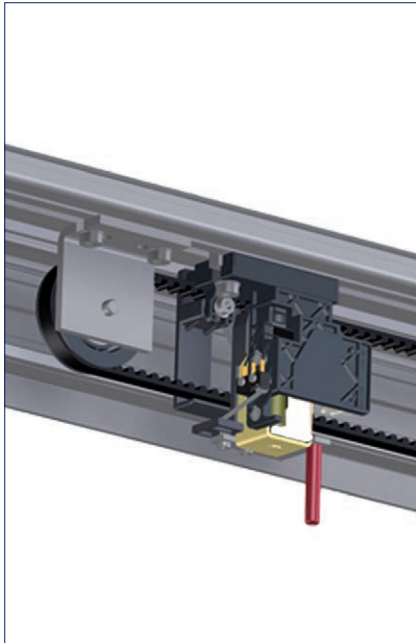
Automatic locking

Toothed belt locking

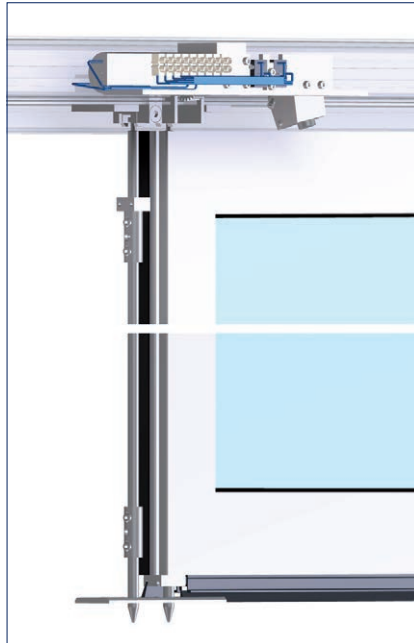
This electromagnetic bi-stable locking system ensures more safety, because it stays locked even without electric current. Manual emergency unlocking is possible at any time. Typical for this type of locking is permanent monitoring by the control unit. Up to two contacts for external applications (e.g. alarm systems) can be integrated as an option. Thanks to the free choice of positioning in the drive, the toothed belt unit is not only easy to install, it also makes special locking functions possible, e.g. locked pharmacy opening of the sliding doors.

Rod locking

Rod locking increases safety and burglary protection. The multi-point lock – both upwards and in the ground – provides solid resistance against attempts to be levered open. The locking rod is integrated invisibly in the fine-framed ISO profile system. The system can be unlocked both electrically or mechanically. Rod locking can be used in the Slimdrive SL and Slimdrive SLT drives. Emergency exit routes can also be protected by rod locking.



Toothed belt locking



Rod locking

Manual locking

Floor lock

The GEZE floor lock is used to lock door leaves with the fine-framed ISO profile system easily at floor level. Standard profile cylinders can be used for the floor locks. This means the solution is suitable for optimum integration in locking systems. Operation is manual, with the key, either only from the inside or from the inside and outside.



Floor lock

Service Tools

GEZEconnects

Bluetooth is an internationally standardised short-distance radio signal with a range of up to ten metres. The software GEZEconnects makes wireless connection via Bluetooth possible between a computer and the automatic door systems from GEZE. All door system settings can be carried out via an intuitive graphic interface, stored, sent by e-mail and transferred to a word processing programme as a protocol. Diagnosis functions show the most important function parameters of the door system in real time, so that problems are recognised at a glance and can be eliminated. All the pre-settings can be taken over very easily for further door systems. The convenient documentation of initial operation, servicing and diagnosis protocols as well as all statistical data can be downloaded at any time. Password protection to freeze operating parameters and servicing data guarantees there will be no unauthorised modifications made.

Service terminal ST 220

Mobile, handy and straightforward – that is parameter setting for the automatic GEZE door systems using the service terminal ST 220. Communication and data exchange between the service terminal and the door drive is via an integrated RS485 interface. The large illuminated interface is easy to operate thanks to the plain text display. The service terminal is equipped with a readout function for servicing and diagnosis work. Power is supplied via the door system. Password protection to freeze operating parameters and servicing data guarantees there will be no unauthorised modifications made.



GEZEconnects

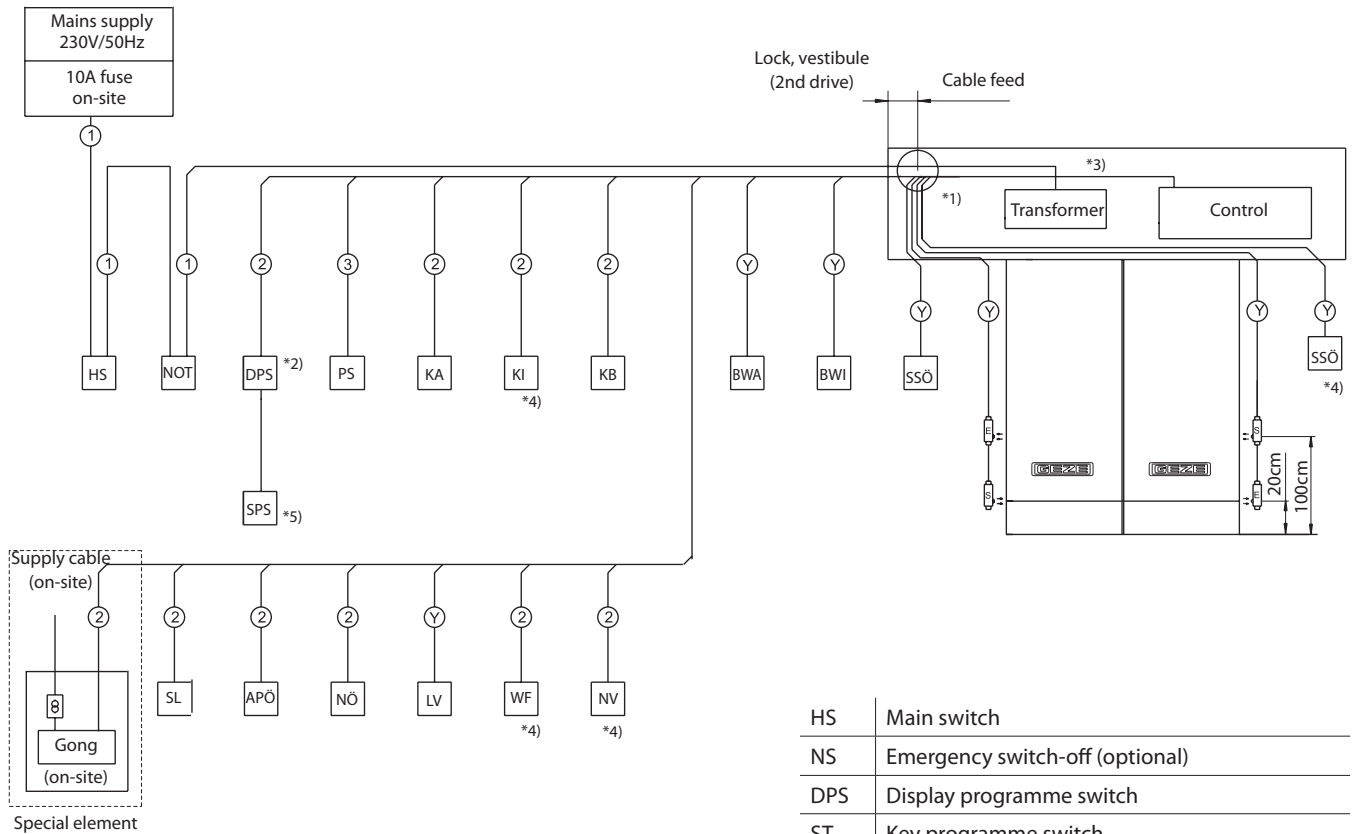


Service terminal ST 220

GEZE SLIDING, TELESCOPIC AND FOLDING DOORS

Cable diagram DCU1, DCU1-2M

For more detailed information about connection of the actuation elements and sensors see the connection diagram 134365 (German version).



HS	Main switch
NS	Emergency switch-off (optional)
DPS	Display programme switch
ST	Key programme switch
PS	Programme switch
KA	Contact sensor outside
KI	Contact sensor inside
KB	Contact sensor "authorised"
BM	Movement detector
SO	Safety sensor "Open"
SM	Fault indicator Fault lamp or fault horn
AÖ	Pharmacy opening
NÖ	Emergency opening
SIS	Light curtain with movement detector KA or KI
S/W	Lock, vestibule
NV	Emergency locking

Wire cross-section:

- ① NYM-J 3 x 1.5 mm²
- ② I-Y(ST)Y 2 x 2 x 0.6 mm
- ③ I-Y(ST)Y 3 x 2 x 0.6 mm
- Ⓨ Scope of supply GEZE

Safety

- Cable routing according to VDE 0100
- Cable routing, connection and initial operation may only be carried out by authorised specialists.
- GEZE does not accept any warranty and service performances in combination with external brands.

Notes

- 1) Cable feed through the side plate or through the running rail on the left. To protect the cables, avoid sharp edges or use edge protection.
- 2) Cable length max. 100 m
- 3) Allow signal cables to protrude at least 5 m and mains cables at least 2 m out of the wall
- 4) Not for DCU1-2M
- 5) Required for DCU1-2M

GEZE SLIDING, TELESCOPIC AND FOLDING DOORS

References



Slimdrive SL NT with vestibule, Augustinum, Stuttgart, Germany (Photo: Dirk Wilhelmy)



ECdrive, Augustinum, Stuttgart, Germany (Photo: Dirk Wilhelmy)

POTENTIAL APPLICATIONS OF GEZE PRODUCTS

You will find more product information in the relevant brochures, see ID numbers.

Door technology

01	Overhead door closers ID 091593, ID 091594
02	Hold-open systems ID 091593, ID 091594
03	Integrated door closers ID 091609
04	Floor springs ID 091607
05	Sliding door gear systems and linear guides ID 123605, ID 008770, ID 000586

Automatic door systems

06	Swing doors ID 144785
07	Sliding, telescopic and folding doors ID 143639
08	Circular and semi-circular sliding doors ID 135772
09	Revolving doors ID 132050
10	Actuation devices and sensors ID 142655

Smoke and heat extraction and window technology

11	Fanlight opening systems ID 127787
12	Electric opening and locking systems ID 154851
13	Electrical spindle and linear drives ID 154851
14	Electric chain drives ID 154851
15	Smoke and heat extraction systems ID 154851

Safety technology

16	Emergency exit systems ID 132408
17	Access control systems ID 132158
18	Panic locks ID 132848
19	Electric strikes ID 148666
20	Building management system ID 132408

Glass systems

21	Manual sliding wall systems (MSW) ID 104377
22	Integrated all-glass systems (IGG) ID 104366
23	GEZE Patch fittings mono glass systems ID 122521



POTENTIAL APPLICATIONS OF GEZE PRODUCTS



Door technology

The functionality, superior performance and reliability of GEZE door closers are impressive. A common design across the range, the ability to use them on all common door leaf widths and weights, and the fact that they can be individually adjusted makes their selection simple. They are continually being improved and enhanced with up-to-date features. For example, the requirements of fire protection and accessibility are fulfilled with a door closer system.

Automatic door systems

GEZE automatic door systems open up a huge variety of options in door design. The latest, innovative high-performance drive technology, safety, ease of accessibility and first class universal drive design set them apart. GEZE offers complete solutions for individual requirements. A dedicated division is responsible for the development and construction of individual special designs.

Smoke and heat extraction and window technology

GEZE smoke and heat extraction systems and ventilation technology provide complete systems solutions combining the many requirements of different types of windows. We supply a full range from energy efficient drive systems to natural ventilation and complete solutions for supplying and extracting air, also as certified SHEVs.

Safety technology

GEZE safety technology sets the standards where preventative fire protection, access control and anti-theft security in emergency exits are concerned. For each of these objectives GEZE offers tailored solutions, which combine the individual safety requirements in one intelligent system and close doors and windows in case of danger in a coordinated manner.

Building systems

In GEZE's Building Management System GEZE door, window and safety products can be integrated in to the security and control systems of the building. A central control and visualisation system monitors various automation components in the building and offers security through many different networking capabilities.

Glass systems

GEZE glass systems stand for open and transparent interior design. They can either blend discreetly into the architecture of the building or stand out as an accentuated feature. GEZE offers a wide variety of technologies for functional, reliable and aesthetic sliding wall or sliding door systems providing security with lots of design scope.

GEZE GmbH
P.O. Box 1363
71226 Leonberg
Germany

GEZE GmbH
Reinhold-Vöster-Straße 21-29
71229 Leonberg
Germany
Telefon +49 7152 203 0
Telefax +49 7152 203 310
www.geze.com

Germany
 GEZE GmbH
 Niederlassung Süd-West
 Breitwiesenstraße 8
 71229 Leonberg
 Tel. +49 7152 203 594
 Fax +49 7152 203 438
 leonberg.de@geze.com

GEZE GmbH
 Niederlassung Süd-Ost
 Parking 17
 85748 Garching bei München
 Tel. +49 7152 203 6440
 Fax +49 7152 203 77050
 muenchen.de@geze.com

GEZE GmbH
 Niederlassung Ost
 Bühringstraße 8
 13086 Berlin (Weißensee)
 Tel. +49 7152 203 6840
 Fax +49 7152 203 76849
 berlin.de@geze.com

GEZE GmbH
 Niederlassung Mitte/Luxemburg
 Adenauerallee 2
 61440 Oberursel (b. Frankfurt)
 Tel. +49 7152 203 6888
 Fax +49 7152 203 6891
 frankfurt.de@geze.com

GEZE GmbH
 Niederlassung West
 Heltorfer Straße 12
 40472 Düsseldorf
 Tel. +49 7152 203 6770
 Fax +49 7152 203 76770
 duesseldorf.de@geze.com

GEZE GmbH
 Niederlassung Nord
 Haus 11, 1. OG - Theodorstr. 42-90
 22761 Hamburg-Bahrenfeld
 Tel. +49 7152 203 6600
 Fax +49 7152 203 76608
 hamburg.de@geze.com

GEZE Service GmbH
 Niederlassung Süd-West
 Reinhold-Vöster-Straße 25
 71229 Leonberg
 Tel. +49 1802 923392
 Fax +49 7152 9233 359
 service-leonberg.de@geze.com

GEZE Service GmbH
 Niederlassung Süd
 Parking 17
 85748 Garching bei München
 Tel. +49 1802 923392
 Fax +49 7152 9233 859
 service-muenchen.de@geze.com

GEZE Service GmbH
 Niederlassung Mitte
 Oberurseler Str. 69
 61440 Oberursel
 Tel. +49 1802 923392
 Fax +49 7152 9233 659
 service-oberursel.de@geze.com

GEZE Service GmbH
 Niederlassung West
 Heltorfer Straße 12
 40472 Düsseldorf
 Tel. +49 1802 923392
 Fax +49 7152 9233 559
 service-duesseldorf.de@geze.com

GEZE Service GmbH
 Niederlassung Nord-Ost
 Bühringstraße 8
 13086 Berlin (Weißensee)
 Tel. +49 1802 923392
 Fax +49 7152 9233 759
 service-berlin.de@geze.com

GEZE Service GmbH
 Niederlassung Nord
 Theodorstr. 42-90, Haus 11
 22761 Hamburg
 Tel. +49 1802 923392
 Fax +49 7152 9233 459
 service-hamburg.de@geze.com

Austria
 GEZE Austria
 Wiener Bundesstrasse 85
 A-5300 Hallwang
 Tel: +43 6225 87180
 Fax: +43 6225 87180 299
 austria.at@geze.com

Baltic States
 GEZE GmbH Baltic States office
 Dzelzavas iela 120 S
 1021 Riga
 Tel. +371 678960 35
 Fax +371 678960 36
 office-latvia@geze.com

Benelux
 GEZE Benelux B.V.
 Industrierrein Kapelbeemd
 Steenoven 36
 5626 DK Eindhoven
 Tel. +31 4026290 80
 Fax +31 4026290 85
 benelux.nl@geze.com

Bulgaria
 GEZE Bulgaria - Trade
 Representative Office
 Nickolay Haitov 34 str., fl. 1
 1172 Sofia
 Tel. +359 247043 73
 Fax +359 247062 62
 office-bulgaria@geze.com

China
 GEZE Industries (Tianjin) Co., Ltd.
 Shuangchenzhong Road
 Beichen Economic Development
 Area (BEDA)
 Tianjin 300400, P.R. China
 Tel. +86 22 26973995
 Fax +86 22 26972702
 chinasales@geze.com.cn

GEZE Industries (Tianjin) Co., Ltd.
 Branch Office Shanghai
 Jia Little Exhibition Center
 Room C 2-102
 Shenzhuan Rd. 6000
 201619 Shanghai, P.R. China
 Tel. +86 21 52340960
 Fax +86 21 64472007
 chinasales@geze.com.cn

GEZE Industries (Tianjin) Co., Ltd.
 Branch Office Guangzhou
 Room 17 C 3
 Everbright Bank Building, No.689
 Tian He Bei Road
 510630 Guangzhou, P.R. China
 Tel. +86 20 38731842
 Fax +86 20 38731834
 chinasales@geze.com.cn

GEZE Industries (Tianjin) Co., Ltd
 Branch Office Beijing
 Room 1001, Tower D
 Sanlitun SOHO
 No. 8, Gongti North Road,
 Chaoyang District
 100027 Beijing, P.R.China
 Tel. +86 10 59359300
 Fax +86 10 59359322
 chinasales@geze.com.cn

France
 GEZE France S.A.R.L.
 ZAC de l'Orme Rond
 RN 19
 77170 Servon
 Tel. +33 1 606260 70
 Fax +33 1 606260 71
 france.fr@geze.com

Hungary
 GEZE Hungary Kft.
 Hungary-2051 Biatorbágy
 Vendel Park
 Huber u. 1.
 Tel. +36 23532 735
 Fax +36 23532 738
 office-hungary@geze.com

Iberia
 GEZE Iberia S.R.L.
 C/ Andorra 24
 08830 Sant Boi de Llobregat
 (Barcelona)
 Tel. +34 902194 036
 Fax +34 902194 035
 info@geze.es

India
 GEZE India Private Ltd.
 MF 2 & 3, Guindy Industrial Estate
 Ekkattuthangal
 Chennai 600 097
 Tamilnadu
 Tel. +91 44 406169 00
 Fax +91 44 406169 01
 office-india@geze.com

Italy
 GEZE Italia S.r.l
 Sede di Milano
 Via Giotto 4
 20040 Cambiago (MI)
 Tel. +39 0295069 511
 Fax +39 0295069 533
 italia.it@geze.com

Sede di Roma
 Via Lucrezia Romana, 91
 00178 Roma
 Tel. +39 06 726531 1
 Fax +39 06 726531 36
 roma@geze.biz

Poland
 GEZE Polska Sp.z o.o.
 ul. Annopol 21
 03-236 Warszawa
 Tel. +48 224 404 440
 Fax +48 224 404 400
 geze.pl@geze.com

Romania
 GEZE Romania S.R.L.
 IRIDE Business Park,
 Str. Dimitrie Pompeiu nr. 9-9a,
 Building 10, Level 2, Sector 2,
 020335 Bucharest
 Tel.: +40 212507 750
 Fax: +40 316201 258
 office-romania@geze.com

Russia
 OOO GEZE RUS
 Gamsonovskiy Per. 2
 115191 Moskau
 Tel. +7 495 93306 59
 Fax +7 495 93306 74
 office-russia@geze.com

Scandinavia – Sweden
 GEZE Scandinavia AB
 Mallslingan 10
 Box 7060
 18711 Täby, Sweden
 Tel. +46 87323 400
 Fax +46 87323 499
 sverige.se@geze.com

Scandinavia – Norway
 GEZE Scandinavia AB avd. Norge
 Industriveien 34 B
 2073 Dal
 Tel. +47 63957 200
 Fax +47 63957 173
 norge.se@geze.com

Scandinavia – Denmark
 GEZE Danmark
 Branch office of GEZE Scandinavia AB
 Mårkærvej 13 J-K
 2630 Taastrup
 Tel. +45 463233 24
 Fax +45 463233 26
 danmark.se@geze.com

Singapore
 GEZE (Asia Pacific) Pte. Ltd.
 21 Bukit Batok Crescent
 #23-75 Wcega Tower
 Singapore 658065
 Tel: +65 6846 1338
 Fax: +65 6846 9353
 gezessea@geze.com.sg

South Africa
 GEZE Distributors (Pty) Ltd.
 118 Richards Drive, Halfway House,
 Ext 111, P.O. Box 7934, Midrand 1685,
 South Africa
 Tel: + 27 113158 286
 Fax: + 27 113158 261
 info@gezesa.co.za

Switzerland
 GEZE Schweiz AG
 Zeliglimatte 1A
 6260 Reiden
 Tel. +41 62 28554 00
 Fax +41 62 28554 01
 schweiz.ch@geze.com

Turkey
 GEZE Kapı ve Pencere Sistemleri
 San. ve Tic. Ltd. Sti.
 İstanbul Anadolu Yakası Organize
 Sanayi Bölgesi
 Gazi Bulvarı Caddesi 8.Sokak No:8
 Tuzla-İstanbul
 Tel. + 90 216 45543 15
 Fax + 90 216 45582 15
 office-turkey@geze.com

Ukraine
 LLC GEZE Ukraine
 ul. Viskoznaya, 17,
 Building 93-B, Office 12
 02660 Kiev
 Tel./Fax +38 445012225
 office-ukraine@geze.com

United Arab Emirates/GCC
 GEZE Middle East
 P.O. Box 17903
 Jebel Ali Free Zone
 Dubai
 Tel. +971 48833 112
 Fax +971 48833 240
 gezeme@geze.com

United Kingdom
 GEZE UK Ltd.
 Blenheim Way
 Fradley Park
 Lichfield
 Staffordshire WS13 8SY
 Tel. +44 15434430 00
 Fax +44 15434430 01
 info.uk@geze.com

GEZE REPRÄSENTANT