

WELCOME TO OUR WORLD



We make light that makes you see, light that makes you look, light that animates the world around you.

We develop lighting solutions that enhance people's life, and therefore people's quality of life. We bring our experience in light to the service of architects, interior and lighting designers, realizing what is in their mind, creating a lighting scenography integrated in the architecture. Using the right light in the right way to make architectural concepts stand out.

Founded by designer **Paul Ameloot**, today the company is still owned and managed by the family. As **a family business** we love to share our passion, creativity and dedication.

Our aim is to inspire people all around the world.

As a family we have a personal stake in making your project successful.

We strive to be the best in all we do.

Building on 25 years of lighting development, production and design expertise, we look very ambitious but confident towards **the future**. We continuously invest in people, in new markets, in production techniques and in our infrastructure – aiming to further upgrade our service abilities, expand our R&D department, testing and laboratory facilities, increase warehouse automation and extend the House of Light training center.



At Delta Light® we realize that our business activities are associated with responsibility for ecological awareness, health and sustainability, and handle these issues as a priority. Over the past few years Delta Light® has been working to minimize the environmental impacts of its products and manufacturing processes, aiming to further increase the energy efficiency of the company.



BUTLER BY ARIK LEVY

and Delta Light®

Arik Levy is an artist, technician, photographer, designer, video artist... his skills are multi-disciplinary and his work can be seen in prestigious galleries and museums worldwide. The Butler is the first design by Arik for Delta Light®.

The fine line between the indoor territory and outdoors today is blurrier than ever. Furniture and indoor living elements are drifting outdoors in style and function. The experience, comfort and style of our living room is extended to our garden.

The inspiration for this **New Collection** was a coincidence of different elements, and a physical metaphor. On one hand it's a re-interpretation of a well-known archetype, the most obvious classic lamp shade as we know it for many many years. The coincidental element came from Arik cycling through Paris years ago, passing by a big pile of folded paper, used to create the well-known plissé fashion classics.

While its zig-zag shape recalls the past, it also creates a unique play of light. During the day the natural light enhances its form and creates shadow all around the shade... at night the light emitted casts a cozy and intimate light wherever the Butler is installed.

The Butler Wall comes in both interior and exterior versions, single or double, down and down-up. The outdoor bollards come in different heights and two pole sizes, again with a down or down-up light effect.



To discover the full range please go to pages 50 / 108 / 110 / 112 or on our website www.deltalight.com/butlerbyariklevy

This **New Collection** catalogue is an addition to the big **Lighting Bible® 11** as launched in April 2015. It contains both completely new fittings and extensions of the existing range.



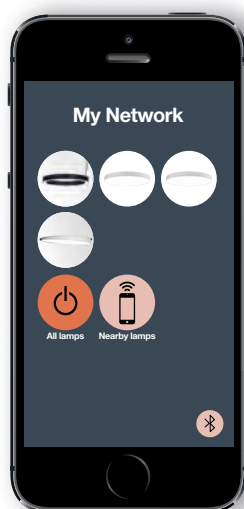
With the New Collection we are launching both technically advanced ceiling recessed solutions, eye-catching wall lights and new exterior lighting ranges. At the same we expanded our technical chapter with an intuitive lighting control module and an energy-saving presence detection system.



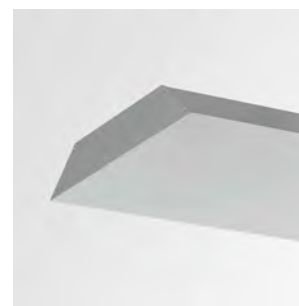
The **Super-Oh!** was launched in The Lighting Bible® 11, a slim black ring floating through space. Now we present you an extensive expansion of the range. The new collection features various down-up versions, to a small version (XS) surface mounted, on a flexible pivot or on track, up to full circles of light for trimless installation or suspended. Coming in different sizes, lumen outputs and finishes, the Super-Oh range enables you to keep the same look & feel throughout the entire project.



Delta Light® introduces **Wireless Control Dimming**, enabling you to control and manage a selection of LED luminaires via mobile devices. (PAG TEC 12-13)



In this New Collection catalogue we take our made-to-measure Split-it profile to the next level. The recessed version has been re-designed, expanding the installation options and offering you more illumination tools.



The new **Split-it On** is a brand-new made-to-measure profile for surface mounted application. It combines the extreme versatility of the recessed version, adding extra flexibility with the miniature **Split-it On** downlight module.

With its linear geometry both new Split-it profiles enable you to define spaces and create volumes, to show direction, frame the room and add sharp edged detail to your architecture.

Get inspired on different applications in our Virtual Reality spaces: www.deltalight.com/vr

INTERIOR LIGHTING

Delta Light® offers a very extensive range of interior lighting solutions. Wall to ceiling or stand-alone, be it for recessed or surface mounted application... all recessed luminaires are designed to combine the light source with the best optics, reflectors and lenses to combine light quality and energy efficiency, helping you to apply the best lighting solutions for the intended purpose of the space.

The following range completes the Lighting Bible® 11 interior collection.

www.deltalight.com/products/overview





INDEX

INTERIOR LIGHTING



PINTOR 63
PAG 10-13



RINGO LED
PAG 25



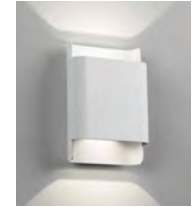
SPY JAC
PAG 35



SUPER OH! XS PIVOT
PAG 44



PRESENCE DETECTION
OPTION FOR SUPERNOVA LINE
PAG 50-51



WANT-IT
PAG 61



PINTOR 90
PAG 14-17



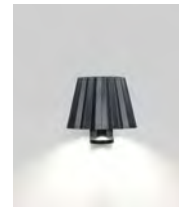
CIRCLE LED
PAG 25



SPY CLIP Hi
PAG 37



SUPER OH! XS
PAG 44



BUTLER W
PAG 52-53



WINCE
PAG 63



GYN
PAG 18-19



DEEP RINGO LED
PAG 27



SPY ON Hi
PAG 37



SUPER OH! XS C
PAG 45



BUTLER W D
PAG 52-53



DIRO TRIMLESS OK LED
PAG 22



MINIGRID IN SNAP-IN
PAG 28-29



PINTOR 63 ON
PAG 39



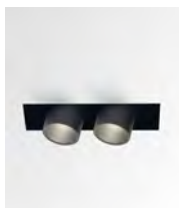
SUPER OH! XS PIVOT AD
PAG 45



ORBIT LED
PAG 55



MICRO REO LED
PAG 23



SPLITBOX
PAG 30-31



PINTOR 90 ON
PAG 39



SUPER OH! SBL
PAG 47



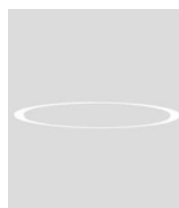
FIFTY LED
PAG 57



GRAND REO TRIMLESS
PAG 23



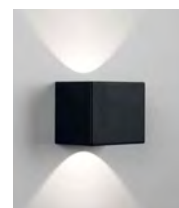
MIDISPY JAC
PAG 33



SUPER OH! SBL TRIMLESS
PAG 43



SUPER OH! DOWN-UP
PAG 49



TIGA IN LED
PAG 59

NAME	PAGE
BUTLER W	52-53
BUTLER W D	52-53
CIRCLE LED	25
DEEP RINGO LED	27
DIRO TRIMLESS OK LED	22
FIFTY LED	57
GRAND REO TRIMLESS	23
GYN	18-19
MICRO REO LED	23
MIDISPY JAC	33
MINIGRID IN SNAP-IN	28-29
ORBIT	55
PINTOR 63 ON	39
PINTOR 63	10-13
PINTOR 90	14-17
PINTOR 90 ON	39
PRESENCE DETECTION	50-51
RINGO LED	25
SPLITBOX	30-31
SPY CLIP HI	37
SPY JAC	35
SPY ON HI	37
SUPER OH! DOWN-UP	49
SUPER OH! SBL	47
SUPER OH! SBL TRIMLESS	43
SUPER OH! XS	44
SUPER OH! XS C	45
SUPER OH! XS PIVOT	44
SUPER OH! XS PIVOT AD	45
TIGA IN LED	59
WANT-IT	61
WINCE	63

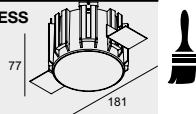
FULL INFO / PAG TEC

Requirements

MOUNTING KIT PINTOR 63 TRIMLESS 202 40 092

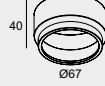
127 x 120 min.8

0,2



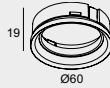
PINTOR 63 FRONTRING ◊ 202 40 63 ◊

◊ = B / W



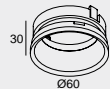
PINTOR 63 XR TUBE ◊ 414 07 00 ◊

◊ = B / MMAT / SG / W



SPY TUBE S ◊ 414 02 00 ◊

◊ = B / MMAT / SG / W



CONTROL GEAR

LED POWER SUPPLY
650mA-DC DIM5
300 90 915 ED5

145 x 45 x 30



LED POWER SUPPLY
650mA-DC DIM8
300 90 915 ED8

125 x 45 x 30

DIM5: DALI dimming
DIM8: dimming by falling edge dimmer

FULL INFO / PAG TEC

Options

CONTROL GEAR

LED POWER SUPPLY
ALL INFO ON FOLD-OUT COVER



FULL INFO / PAG TEC

Accessories

HONEYCOMB 50 ◊
413 03 01 ◊
◊ = B

Ø50



LINEAR SPREAD LENS 50
413 03 02

Ø50



SPREAD LENS 50
413 03 03

Ø50



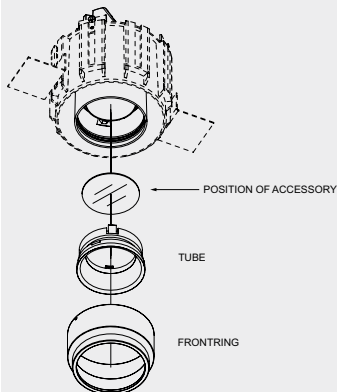
SOFTENING LENS 50
413 03 04

Ø50



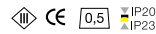
GLASS SBL 50
413 03 05

Ø50



SOFT DIM INFO SOFT DIM PAG TEC 9	CRI > 80
2700-1800K	850lm (10W)
REFLECTOR FL-40°	PINTOR 63 TRIMLESS SOFT ◊ 202 403 28120

ADJUSTABLE 0°-30° / 355°
INCL. 1 x POWERLED 10W
EXCL. DIMMABLE LED POWER SUPPLY 650mA-DC



REQUIREMENTS
MOUNTING KIT PINTOR 63 TRIMLESS
PINTOR 63 FRONTRING
SPY TUBE S
LED POWER SUPPLY 650mA-DC DIM5
LED POWER SUPPLY 650mA-DC DIM8

ØKIT x 120

4000K

3000K

REFLECTOR SP-16°

REFLECTOR SP-18°

REFLECTOR FL-33°

REFLECTOR WFL-43°

REFLECTOR WFL-55°

2700K

REFLECTOR SP-16°

REFLECTOR SP-18°

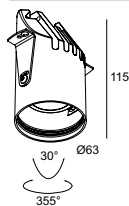
REFLECTOR FL-33°

REFLECTOR WFL-43°

REFLECTOR WFL-55°



Pintor 63 Trimless



PINTOR 63 TRIMLESS XR + FRONTRING W + PINTOR 63 XR TUBE W

ØKIT x 120

CRI > 90 (> 97 ON REQUEST)

CRI > 95

CRI > 95

CRI > 90 (> 97 ON REQUEST)	CRI > 95	CRI > 95
714lm (6,2W) ¹ 960lm (9,3W) ¹ 1240lm (13,3W) ²	ON REQUEST 700lm (10,9W) ¹ 832lm (13,4W) ¹	ON REQUEST 965lm (10,9W) ¹ 1130lm (13,4W) ²
PINTOR 63 TRIMLESS BR 93018 202 403 81931	PINTOR 63 TRIMLESS XR 09 93016 202 403 13 931	
PINTOR 63 TRIMLESS BR 93033 202 403 81932	PINTOR 63 TRIMLESS XR 09 93033 * 202 403 13 932	
		PINTOR 63 TRIMLESS XR 19 93043 * 202 403 13 933
		PINTOR 63 TRIMLESS XR 19 93055 202 403 13 934
698lm (6,2W) ¹ 939lm (9,3W) ¹ 1212lm (13,3W) ²	700lm (10,9W) ¹ 832lm (13,4W) ¹	965lm (10,9W) ¹ 1130lm (13,4W) ²
PINTOR 63 TRIMLESS BR 92718 202 403 81921	PINTOR 63 TRIMLESS XR 09 92716 202 403 13 921	
PINTOR 63 TRIMLESS BR 92733 202 403 81922	PINTOR 63 TRIMLESS XR 09 92733 * 202 403 13 922	
		PINTOR 63 TRIMLESS XR 19 92743 * 202 403 13 923
		PINTOR 63 TRIMLESS XR 19 92755 202 403 13 924
ADJUSTABLE 0°-30° / 355° INCL. 1 x POWERLED [H] 6,2-9,3-13,3W EXCL. LED POWER SUPPLY 350-500-700mA-DC 	ADJUSTABLE 0°-30° / 355° INCL. 1 x POWERLED XICATO ARTIST [M] 10,9-13,4W EXCL. LED POWER SUPPLY 500-600mA-DC 	ADJUSTABLE 0°-30° / 355° INCL. 1 x POWERLED XICATO ARTIST [N] 10,9-13,4W EXCL. LED POWER SUPPLY 500-600mA-DC
REQUIREMENTS MOUNTING KIT PINTOR 63 TRIMLESS PINTOR 63 FRONTRING SPY TUBE S	REQUIREMENTS MOUNTING KIT PINTOR 63 TRIMLESS PINTOR 63 FRONTRING PINTOR 63 XR TUBE	REQUIREMENTS MOUNTING KIT PINTOR 63 TRIMLESS PINTOR 63 FRONTRING PINTOR 63 XR TUBE
OPTIONS LED POWER SUPPLY 350-500-700mA-DC / DIM	OPTIONS LED POWER SUPPLY 500-600mA-DC / DIM	OPTIONS LED POWER SUPPLY 500-600mA-DC / DIM
ACCESSORIES HONEYCOMB 50 LINEAR SPREAD LENS 50 SPREAD LENS 50 SOFTENING LENS 50 GLASS SBL 50	ACCESSORIES HONEYCOMB 50 LINEAR SPREAD LENS 50 SPREAD LENS 50 SOFTENING LENS 50 GLASS SBL 50	ACCESSORIES HONEYCOMB 50 LINEAR SPREAD LENS 50 SPREAD LENS 50 SOFTENING LENS 50 GLASS SBL 50

¹ RECESSED VOLUME Ø210 x 120
² RECESSED VOLUME Ø390 x 120

* SOFTENING LENS 50 RECOMMENDED

* SOFTENING LENS 50 RECOMMENDED

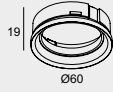
FULL INFO / PAG TEC

Requirements

PINTOR 63 XR TUBE ◇

414 07 00 ◇

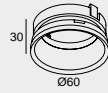
◇ = B / MMAT / SG / W



SPY TUBE S ◇

414 02 00 ◇

◇ = B / MMAT / **SG** / W



CONTROL GEAR



LED POWER SUPPLY 650mA-DC DIM5 145 x 45 x 30

300 90 915 ED5



LED POWER SUPPLY 650mA-DC DIM8 125 x 45 x 30

300 90 915 ED8

DIM5: DALI dimming
DIM8: dimming by falling edge dimmer

FULL INFO / PAG TEC

Options

CONTROL GEAR

PLASTERKIT 164

207 01 164

230 x 230

200 x 200

LED POWER SUPPLY ALL INFO ON FOLD-OUT COVER



FULL INFO / PAG TEC

Accessories

HONEYCOMB 50 ◇

413 03 01 ◇

◇ = B

Ø50



LINEAR SPREAD LENS 50

413 03 02

Ø50



SPREAD LENS 50

413 03 03

Ø50



SOFTENING LENS 50

413 03 04

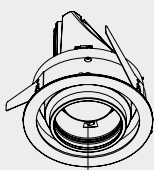
Ø50



GLASS SBL 50

413 03 05

Ø50



POSITION OF ACCESSORY

TUBE



INFO SOFT DIM
PAG TEC 9

105 x 120 max.25

CRI > 80

2700-1800K

850lm (10W)

REFLECTOR FL-40°

PINTOR 63 ST SOFT ◇

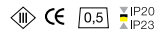
202 401 28120 ◇

◇ = B / W

ADJUSTABLE 0°-30° / 355°

INCL. 1 x POWERLED 10W

EXCL.DIMMABLE LED POWER SUPPLY 650mA-DC



REQUIREMENTS

SPY TUBE S

LED POWER SUPPLY 650mA-DC DIM5

LED POWER SUPPLY 650mA-DC DIM8

OPTIONS

PLASTERKIT 164

4000K

REFLECTOR SP-16°

REFLECTOR SP-18°

REFLECTOR FL-33°

REFLECTOR WFL-43°

REFLECTOR WFL-55°

2700K

REFLECTOR SP-16°

REFLECTOR SP-18°

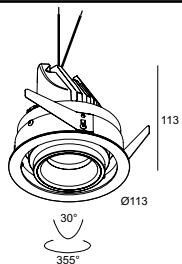
REFLECTOR FL-33°

REFLECTOR WFL-43°

REFLECTOR WFL-55°



Pintor 63 ST



PINTOR 63 ST W + SPY TUBE S B

105 x 120 max.25

CRI > 90 (> 97 ON REQUEST)

CRI > 95

CRI > 95

	ON REQUEST	ON REQUEST
714lm (6,2W) ¹ 960lm (9,3W) ¹ 1240lm (13,3W) ²	700lm (10,9W) ¹ 832lm (13,4W) ¹	965lm (10,9W) ¹ 1130lm (13,4W) ²
PINTOR 63 ST BR 93018 ◊ 202 401 81931 ◊ ◊ = B / W	PINTOR 63 ST XR 09 93016 ◊ 202 401 13 931 ◊ ◊ = B / W	
PINTOR 63 ST BR 93033 ◊ 202 401 81932 ◊ ◊ = B / W	PINTOR 63 ST XR 09 93033 * ◊ 202 401 13 932 ◊ ◊ = B / W	
		PINTOR 63 ST XR 19 93043 * ◊ 202 401 13 933 ◊ ◊ = B / W
		PINTOR 63 ST XR 19 93055 ◊ 202 401 13 934 ◊ ◊ = B / W
698lm (6,2W) ¹ 939lm (9,3W) ¹ 1212lm (13,3W) ²	700lm (10,9W) ¹ 832lm (13,4W) ¹	965lm (10,9W) ¹ 1130lm (13,4W) ²
PINTOR 63 ST BR 92718 ◊ 202 401 81921 ◊ ◊ = B / W	PINTOR 63 ST XR 09 92716 ◊ 202 401 13 921 ◊ ◊ = B / W	
PINTOR 63 ST BR 92733 ◊ 202 401 81922 ◊ ◊ = B / W	PINTOR 63 ST XR 09 92733 * ◊ 202 401 13 922 ◊ ◊ = B / W	
		PINTOR 63 ST XR 19 92743 * ◊ 202 401 13 923 ◊ ◊ = B / W
		PINTOR 63 ST XR 19 92755 ◊ 202 401 13 924 ◊ ◊ = B / W
ADJUSTABLE 0°-30° / 355° INCL. 1 x POWERLED [H] 6,2-9,3-13,3W EXCL.LED POWER SUPPLY 350-500-700mA-DC ◊ CE 0,6 IP20 IP23	ADJUSTABLE 0°-30° / 355° INCL. 1 x POWERLED XICATO ARTIST [M] 10,9-13,4W EXCL.LED POWER SUPPLY 500-600mA-DC ◊ CE 0,6 IP20 IP23	ADJUSTABLE 0°-30° / 355° INCL. 1 x POWERLED XICATO ARTIST [N] 10,9-13,4W EXCL.LED POWER SUPPLY 500-600mA-DC ◊ CE 0,6 IP20 IP23
REQUIREMENTS SPY TUBE S	REQUIREMENTS PINTOR 63 XR TUBE	REQUIREMENTS PINTOR 63 XR TUBE
OPTIONS PLASTERKIT 164 LED POWER SUPPLY 350-500-700mA-DC / DIM	OPTIONS PLASTERKIT 164 LED POWER SUPPLY 500-600mA-DC / DIM	OPTIONS PLASTERKIT 164 LED POWER SUPPLY 500-600mA-DC / DIM
ACCESSORIES HONEYCOMB 50 LINEAR SPREAD LENS 50 SPREAD LENS 50 SOFTENING LENS 50 GLASS SBL 50	ACCESSORIES HONEYCOMB 50 LINEAR SPREAD LENS 50 SPREAD LENS 50 SOFTENING LENS 50 GLASS SBL 50	ACCESSORIES HONEYCOMB 50 LINEAR SPREAD LENS 50 SPREAD LENS 50 SOFTENING LENS 50 GLASS SBL 50

¹ RECESSED VOLUME Ø210 x 120
² RECESSED VOLUME Ø390 x 120

* SOFTENING LENS 50 RECOMMENDED

* SOFTENING LENS 50 RECOMMENDED



PINTOR 90 TRIMLESS + PINTOR 90 FRONTRING W + PINTOR 90 TUBE B

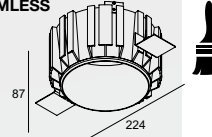
FULL INFO / PAG TEC

Requirements

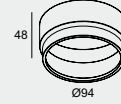
MOUNTING KIT PINTOR 90 TRIMLESS
202 40 115

168 x 130 min.8

0,3



PINTOR 90 FRONTRING ◇
202 40 90 ◇
◇ = B / W



PINTOR 90 TUBE ◇
414 06 00 ◇
◇ = B / MMAT / SG / W



FULL INFO / PAG TEC

Options

CONTROL GEAR
LED POWER SUPPLY
ALL INFO ON FOLD-OUT COVER



4000K ●

3000K ●

REFLECTOR SP-11°

REFLECTOR SP-20°

REFLECTOR FL-24°

REFLECTOR FL-35°

REFLECTOR WFL-42°

REFLECTOR WFL-57°

2700K ●

REFLECTOR SP-11°

REFLECTOR SP-20°

REFLECTOR FL-24°

REFLECTOR FL-35°

REFLECTOR WFL-42°

REFLECTOR WFL-57°

FULL INFO / PAG TEC

Accessories

HONEYCOMB 78 ◇
201 02 01 ◇
◇ = B

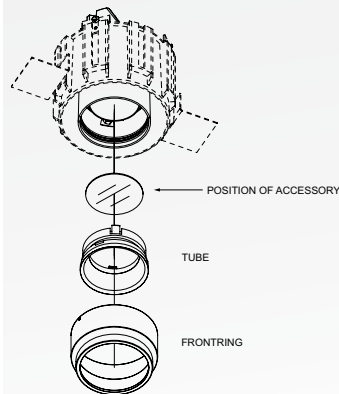


SOFTENING LENS 78
201 02 04

Ø78

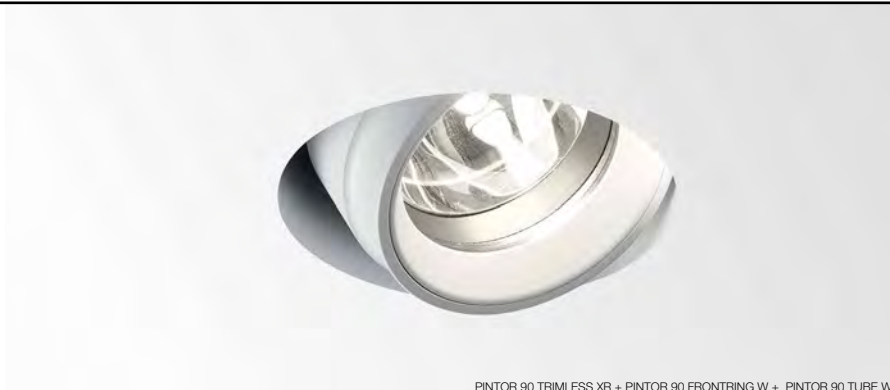
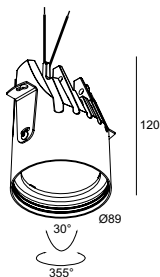
GLASS SBL 78
201 02 05

Ø78





Pintor 90 Trimless



PINTOR 90 TRIMLESS XR + PINTOR 90 FRONTRING W + PINTOR 90 TUBE W

ØKIT x 170

CRI > 90 (> 97 ON REQUEST)

CRI > 95

CRI > 95

ON REQUEST

2160lm (18W)¹
2592lm (21,2W)¹
2900lm (25W)²

ON REQUEST

800lm (13,6W)
1110lm (19,5W)

ON REQUEST

1055lm (12W)
1225lm (14,4W)

PINTOR 90 TRIMLESS BR 93020
202 408 21 931

PINTOR 90 TRIMLESS XR 09 93011
202 408 20 931

PINTOR 90 TRIMLESS BR 93035
202 408 21 932

PINTOR 90 TRIMLESS XR 09 93024 *
202 408 20 932

PINTOR 90 TRIMLESS XR 19 93042
202 408 20 933

PINTOR 90 TRIMLESS XR 19 93057
202 408 20 934

2094lm (18W)¹
2512lm (21,2W)¹
2810lm (25W)²

800lm (13,6W)
1110lm (19,5W)

1055lm (12W)
1225lm (14,4W)

PINTOR 90 TRIMLESS BR 92720
202 408 21 921

PINTOR 90 TRIMLESS XR 09 92711
202 408 20 921

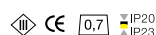
PINTOR 90 TRIMLESS BR 92735
202 408 21 922

PINTOR 90 TRIMLESS XR 09 92724 *
202 408 20 922

PINTOR 90 TRIMLESS XR 19 92742
202 408 20 923

PINTOR 90 TRIMLESS XR 19 92757
202 408 20 924

ADJUSTABLE 0°-30° / 355°
INCL.1 x POWERLED [J] 18-21,2-25W
EXCL.LED POWER SUPPLY 500-600-700mA-DC

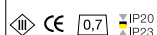


REQUIREMENTS
MOUNTING KIT PINTOR 90 TRIMLESS
PINTOR 90 FRONTRING
PINTOR 90 TUBE

OPTIONS
LED POWER SUPPLY 500-600-700mA-DC / DIM

ACCESSORIES
HONEYCOMB 78
SOFTENING LENS 78
GLASS SBL 78

ADJUSTABLE 0°-30° / 355°
INCL.1 x POWERLED XICATO ARTIST [O] 13,6-19,5W
EXCL.LED POWER SUPPLY 500-700mA-DC

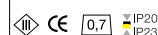


REQUIREMENTS
MOUNTING KIT PINTOR 90 TRIMLESS
PINTOR 90 FRONTRING
PINTOR 90 TUBE

OPTIONS
LED POWER SUPPLY 500-700mA-DC / DIM

ACCESSORIES
HONEYCOMB 78
SOFTENING LENS 78
GLASS SBL 78

ADJUSTABLE 0°-30° / 355°
INCL.1 x POWERLED XICATO ARTIST [P] 12-14,4W
EXCL.LED POWER SUPPLY 500-600mA-DC



REQUIREMENTS
MOUNTING KIT PINTOR 90 TRIMLESS
PINTOR 90 FRONTRING
PINTOR 90 TUBE

OPTIONS
LED POWER SUPPLY 500-600mA-DC / DIM

ACCESSORIES
HONEYCOMB 78
SOFTENING LENS 78
GLASS SBL 78

¹ RECESSED VOLUME Ø240 x 170
² RECESSED VOLUME Ø300 x 170

* SOFTENING LENS 78 RECOMMENDED



PINTOR 90 ST W + PINTOR 90 TUBE B

FULL INFO / PAG TEC

Requirements

INSTALLATION



PINTOR 90 TUBE ◇
414 06 00 ◇
 ◇ = B / MMAT / SG / W

20



Ø86

FULL INFO / PAG TEC

Options

CONTROL GEAR

LED POWER SUPPLY
ALL INFO ON FOLD-OUT COVER



FULL INFO / PAG TEC

Accessories



HONEYCOMB 78 ◇
201 02 01 ◇
 ◇ = B

Ø78



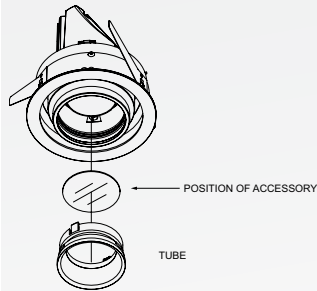
SOFTENING LENS 78
201 02 04

Ø78



GLASS SBL 78
201 02 05

Ø78



4000K ●

3000K ●

REFLECTOR SP-11°

REFLECTOR SP-20°

REFLECTOR FL-24°

REFLECTOR FL-35°

REFLECTOR WFL-42°

REFLECTOR WFL-57°

2700K ●

REFLECTOR SP-11°

REFLECTOR SP-20°

REFLECTOR FL-24°

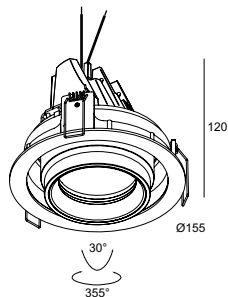
REFLECTOR FL-35°

REFLECTOR WFL-42°

REFLECTOR WFL-57°



Pintor 90 ST



PINTOR 90 ST W + PINTOR 90 TUBE B

146 x 170 max.30

CRI > 90 (> 97 ON REQUEST)

CRI > 95

CRI > 95

ON REQUEST
2160lm (18W)¹
2592lm (21,2W)¹
2900lm (25W)²

ON REQUEST
800lm (13,6W)
1110lm (19,5W)

ON REQUEST
1055lm (12W)
1225lm (14,4W)

PINTOR 90 ST BR 93020 ◊
202 406 21 931 ◊
◊ = B / W

PINTOR 90 ST XR 09 93011 ◊
202 406 20 931 ◊
◊ = B / W

PINTOR 90 ST BR 93035 ◊
202 406 21 932 ◊
◊ = B / W

PINTOR 90 ST XR 09 93024 * ◊
202 406 20 932 ◊
◊ = B / W

PINTOR 90 ST XR 19 93042 ◊
202 406 20 933 ◊
◊ = B / W

2094lm (18W)¹
2512lm (21,2W)¹
2810lm (25W)²

800lm (13,6W)
1110lm (19,5W)

PINTOR 90 ST XR 19 93057 ◊
202 406 20 934 ◊
◊ = B / W

PINTOR 90 ST BR 92720 ◊
202 406 21 921 ◊
◊ = B / W

PINTOR 90 ST XR 09 92711 ◊
202 406 20 921 ◊
◊ = B / W

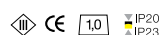
PINTOR 90 ST BR 92735 ◊
202 406 21 922 ◊
◊ = B / W

PINTOR 90 ST XR 09 92724 * ◊
202 406 20 922 ◊
◊ = B / W

PINTOR 90 ST XR 19 92742 ◊
202 406 20 923 ◊
◊ = B / W

PINTOR 90 ST XR 19 92757 ◊
202 406 20 924 ◊
◊ = B / W

ADJUSTABLE 0°-30° / 355°
INCL.1 x POWERLED [J] 18-21,2-25W
EXCL.LED POWER SUPPLY 500-600-700mA-DC

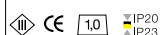


REQUIREMENTS
PINTOR 90 TUBE

OPTIONS
LED POWER SUPPLY 500-600-700mA-DC / DIM

ACCESSORIES
HONEYCOMB 78
SOFTENING LENS 78
GLASS SBL 78

ADJUSTABLE 0°-30° / 355°
INCL.1 x POWERLED XICATO ARTIST [O] 13,6-19,5W
EXCL.LED POWER SUPPLY 500-700mA-DC

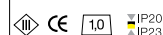


REQUIREMENTS
PINTOR 90 TUBE

OPTIONS
LED POWER SUPPLY 500-700mA-DC / DIM

ACCESSORIES
HONEYCOMB 78
SOFTENING LENS 78
GLASS SBL 78

ADJUSTABLE 0°-30° / 355°
INCL.1 x POWERLED XICATO ARTIST [P] 12-14,4W
EXCL.LED POWER SUPPLY 500-600mA-DC



REQUIREMENTS
PINTOR 90 TUBE

OPTIONS
LED POWER SUPPLY 500-600mA-DC / DIM

ACCESSORIES
HONEYCOMB 78
SOFTENING LENS 78
GLASS SBL 78

¹ RECESSED VOLUME Ø240 x 170
² RECESSED VOLUME Ø300 x 170

* SOFTENING LENS 78 RECOMMENDED

FULL INFO / PAG TEC

Requirements

CONTROL GEAR



LED POWER SUPPLY
650mA-DC DIM5
300 90 915 ED5

145 x 45 x 30



LED POWER SUPPLY
650mA-DC DIM8
300 90 915 ED8

125 x 45 x 30

DIM5: DALI dimming
DIM8: dimming by falling edge dimmer

FULL INFO / PAG TEC

Options

CONTROL GEAR

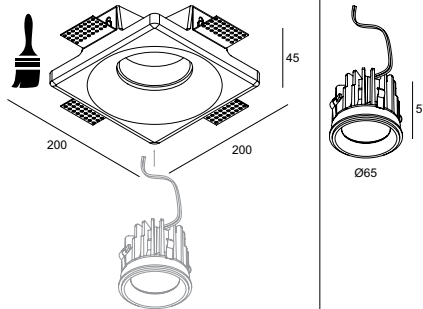
LED POWER SUPPLY
ALL INFO ON FOLD-OUT COVER



Gyn



GYN 1 FRAME + GYN SNAP-IN



140 x 140 x 80 min.7 - max.18

GYN 1 FRAME
415 95 63

0,8

REQUIREMENTS
1 x GYN SNAP-IN

CRI > 90 (> 97 ON REQUEST)

3000K ●

714lm (6,2W)
960lm (9,3W)

REFLECTOR SP-18°

GYN SNAP-IN 93018 ◇
415 411 81931 ◇
◇ = W

REFLECTOR FL-33°

GYN SNAP-IN 93033 ◇
415 411 81932 ◇
◇ = W

2700K ●

698lm (6,2W)
939lm (9,3W)

REFLECTOR SP-18°

GYN SNAP-IN 92718 ◇
415 411 81921 ◇
◇ = W

REFLECTOR FL-33°

GYN SNAP-IN 92733 ◇
415 411 81922 ◇
◇ = W

FIXED
INCL. 1 x POWERLED [H] 6,2-9,3W
EXCL. LED POWER SUPPLY 350-500mA-DC

OPTIONS
LED POWER SUPPLY 350-500mA-DC / DIM



CRI > 80

2700-1800K

850lm (10W)

REFLECTOR FL-40°

GYN SNAP-IN SOFT ◇
415 411 81120 ◇
◇ = W

FIXED
INCL. 1 x POWERLED 10W
EXCL. DIMMABLE LED POWER SUPPLY 650mA-DC

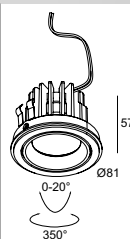
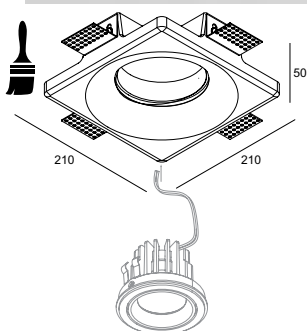
REQUIREMENTS
LED POWER SUPPLY 650mA-DC DIM5
LED POWER SUPPLY 650mA-DC DIM8



Gyn OK



GYN OK 1 FRAME + GYN OK SNAP-IN



155 x 155 x 80 min.7 - max.18

GYN OK 1 FRAME
415 95 79

0,9

REQUIREMENTS
1 x GYN OK SNAP-IN

CRI > 90 (> 97 ON REQUEST)

3000K	714lm (6,2W) 960lm (9,3W)
REFLECTOR SP-18°	GYN OK SNAP-IN 93018 ◇ 415 412 81931 ◇ ◇ = W
REFLECTOR FL-33°	GYN OK SNAP-IN 93033 ◇ 415 412 81932 ◇ ◇ = W
2700K	698lm (6,2W) 939lm (9,3W)
REFLECTOR SP-18°	GYN OK SNAP-IN 92718 ◇ 415 412 81921 ◇ ◇ = W
REFLECTOR FL-33°	GYN OK SNAP-IN 92733 ◇ 415 412 81922 ◇ ◇ = W

ADJUSTABLE 0°- 20° / 350°
INCL.1 x POWERLED [H] 6,2-9,3W
EXCL.LED POWER SUPPLY 350-500mA-DC

CE 0,3 IP20
IP23

OPTIONS
LED POWER SUPPLY 350-500mA-DC / DIM



GYN OK 1 FRAME + GYN OK SNAP IN



CRI > 80

2700-1800K	850lm (10W)
REFLECTOR FL-40°	GYN OK SNAP-IN SOFT ◇ 415 412 81120 ◇ ◇ = W

ADJUSTABLE 0°- 20° / 350°
INCL.1 x POWERLED 10W
EXCL.DIMMABLE LED POWER SUPPLY 650mA-DC

CE 0,5 IP20
IP23

REQUIREMENTS
LED POWER SUPPLY 650mA-DC DIM5
LED POWER SUPPLY 650mA-DC DIM8





FULL INFO / PAG TEC

Requirements

MOUNTING KIT R82 TRIMLESS O.F.A.
202 11 82 OFA

122

0,2

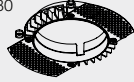


MOUNTING KIT GRAND REO TRIMLESS
202 39 60

185 x 130 x 30

133 x 130 12 or 16

0,3



GRAND REO TR TUBE ◊ Ø102 x 36
202 03 00 ◊

◊ = B / MMAT / W



FULL INFO / PAG TEC

Options

CONTROL GEAR

LED POWER SUPPLY
ALL INFO ON FOLD-OUT COVER



FULL INFO / PAG TEC

Accessories

HONEYCOMB 78 ◊

201 02 01 ◊

◊ = B



Ø78

SOFTENING LENS 78

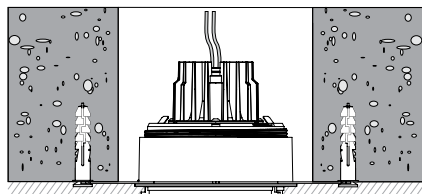
201 02 04

Ø78

GLASS SBL 78

201 02 05

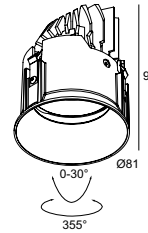
Ø78



DIRO TRIMLESS LED + MOUNTING KIT R82 TRIMLESS OFA IN CONCRETE



Diro Trimless OK LED



ØKIT x 105

CRI > 90 (> 97 ON REQUEST)

3000K

714lm (6,2W)
960lm (9,3W)

REFLECTOR FL-33°

DIRO TRIMLESS OK LED 3033-9 ◊
202 145 81932 ◊
◊ = B / MMAT / W

2700K

698lm (6,2W)
939lm (9,3W)

REFLECTOR FL-33°

DIRO TRIMLESS OK LED 2733-9 ◊
202 145 81922 ◊
◊ = B / MMAT / W

ADJUSTABLE 0°-30° / 355°
INCL. 1 x POWERLED [H] 6,2-9,3W
EXCL. LED POWER SUPPLY 350-500mA-DC

CE 0,3 IP20

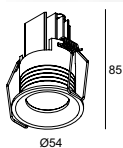
REQUIREMENTS

MOUNTING KIT R82 TRIMLESS O.F.A.

OPTIONS

LED POWER SUPPLY 350-500mA-DC / DIM

Micro Reo



Ø46 x 90 max.25

CRI > 90

4000K

3000K

714lm (6,2W)

REFLECTOR FL-20°

REFLECTOR FL-35°

MICRO REO 93035 S1 ◇
302 221 932 ◇
◇ = W

2700K

698lm (6,2W)

REFLECTOR FL-20°

REFLECTOR FL-35°

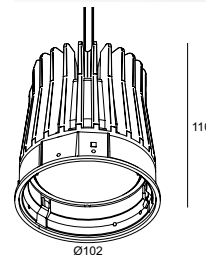
MICRO REO 92735 S1 ◇
302 221 922 ◇
◇ = W

FIXED
INCL.1 x POWERLED [H] 6,2W
EXCL.LED POWER SUPPLY 350mA-DC

CE 0,2 IP20

OPTIONS
LED POWER SUPPLY 350mA-DC / DIM

Grand Reo Trimless



ØKIT x 130

CRI > 90 (> 97 ON REQUEST)

ON REQUEST

2160lm (18W)
2900lm (25W)

GRAND REO TRIMLESS 93020
202 395 21 932

GRAND REO TRIMLESS 93035
202 395 21 933

2094lm (18W)
2810lm (25W)

GRAND REO TRIMLESS 92720
202 395 21 922

GRAND REO TRIMLESS 92735
202 395 21 923

FIXED
INCL.1 x POWERLED [J] 18-25W
EXCL.LED POWER SUPPLY 500-700mA-DC

CE 0,6 IP20

REQUIREMENTS
MOUNTING KIT GRAND REO TRIMLESS
GRAND REO TR TUBE

OPTIONS
LED POWER SUPPLY 500-700mA-DC / DIM

ACCESSORIES
HONEYCOMB 78
SOFTENING LENS 78
GLASS SBL 78



GRAND REO TRIMLESS + GRAND REO TR TUBE B + HONEYCOMB 78



CIRCLE LED B + MINI REO SOFTENING LENS B

FULL INFO / PAG TEC

Options

CONTROL GEAR
LED POWER SUPPLY
ALL INFO ON FOLD-OUT COVER



FULL INFO / PAG TEC

Accessories



MINI REO HONEYCOMB ◊ Ø37 / H6
415 03 01 ◊
◊ = B / W



MINI REO SOFTENING LENS ◊ Ø37 / H6
415 03 04 ◊
◊ = B / W



MINI REO GLASS SBL ◊ Ø37 / H6
415 03 05 ◊
◊ = B / W



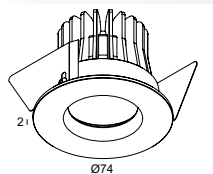
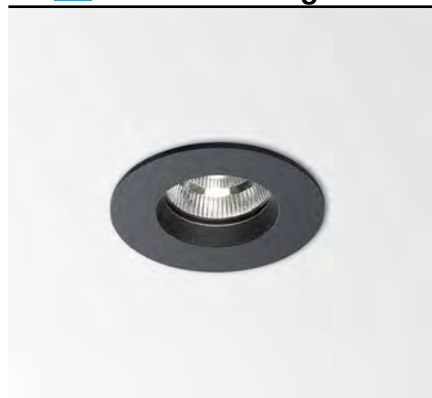
3000K ●



REFLECTOR FL-40°

2700K ●

REFLECTOR FL-40°

 **Ringo LED IP**



 Ø67 x 60  min.5

IP44

CRI > 90


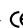
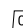
479lm (7W)

RINGO LED IP 93040 ◇
415 225 933 ◇
◇ = W / B

420lm (7W)

RINGO LED IP 92740 ◇
415 225 923 ◇
◇ = W / B

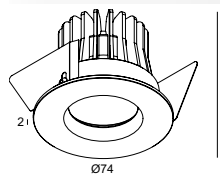
FIXED
INCL. 1 x POWERLED [D] 7W
EXCL. LED POWER SUPPLY 350mA-DC

   IP44

OPTIONS
LED POWER SUPPLY 350mA-DC / DIM

ACCESSORIES
MINI REO HONEYCOMB
MINI REO SOFT CEILING LENS
MINI REO GLASS SBL

 **Ringo LED**



 Ø67 x 60  min.5

CRI > 90


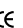
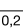
479lm (7W)

RINGO LED 93040 ◇
415 223 933 ◇
◇ = W / B

420lm (7W)

RINGO LED 92740 ◇
415 223 923 ◇
◇ = W / B

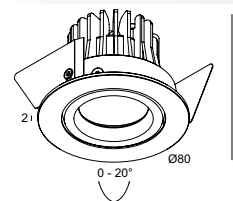
FIXED
INCL. 1 x POWERLED [D] 7W
EXCL. LED POWER SUPPLY 350mA-DC

   IP43

OPTIONS
LED POWER SUPPLY 350mA-DC / DIM

ACCESSORIES
MINI REO HONEYCOMB
MINI REO SOFT CEILING LENS
MINI REO GLASS SBL

 **Circle LED**



 Ø70 x 65  min.5

CRI > 90


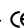
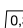
479lm (7W)

CIRCLE LED 93040 ◇
415 224 933 ◇
◇ = W / B

420lm (7W)

CIRCLE LED 92740 ◇
415 224 923 ◇
◇ = W / B

ADJUSTABLE 0-20°
INCL. 1 x POWERLED [D] 7W
EXCL. LED POWER SUPPLY 350mA-DC

   IP23

OPTIONS
LED POWER SUPPLY 350mA-DC / DIM

ACCESSORIES
MINI REO HONEYCOMB
MINI REO SOFT CEILING LENS
MINI REO GLASS SBL



FULL INFO / PAG TEC

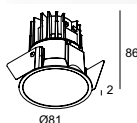
Options

CONTROL GEAR

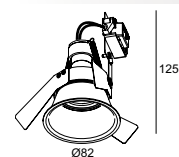
LED POWER SUPPLY
ALL INFO ON FOLD-OUT COVER



Deep Ringo LED IP



Deep Ringo Hi



76 x 90 min.5

IP44

3000K

REFLECTOR FL-33°

CRI > 90 (>97 ON REQUEST)

566lm (7W)
803lm (10W)

DEEP RINGO LED IP 3033-9 ◇

202 273 29122 ◇
◇ = B / MMAT / W

2700K

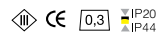
REFLECTOR FL-33°

525lm (7W)
742lm (10W)

DEEP RINGO LED IP 2733-9 ◇

202 273 29123 ◇
◇ = B / MMAT / W

FIXED
INCL.1 x POWERLED [I] 7-10W
EXCL.LED POWER SUPPLY 350-500mA-DC



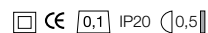
OPTIONS
LED POWER SUPPLY 350-500mA-DC / DIM

76 x 105

DEEP RINGO Hi S2 ◇

202 01 26 ◇

◇ = B / W
FIXED
GU10 / 100-240V / 50-60Hz
1 x QPAR51 max.35W



OPTIONS
LED SOLUTION - PAG TEC 4-5

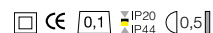
IP44

76 x 105

DEEP RINGO Hi IP S2 ◇

202 014 26 ◇

◇ = B / W
FIXED
GU10 / 100-240V / 50-60Hz
1 x QPAR51 max.35W



FULL INFO / PAG TEC

Requirements

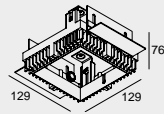
CONTROL GEAR



MINIGRID IN 1 MOUNTING KIT 202 71 95 01

130 x 130 max.25

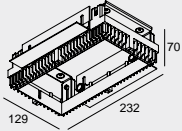
0,5



MINIGRID IN 2 MOUNTING KIT 202 71 95 02

130 x 233 max.25

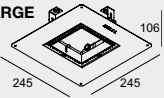
0,8



MINIGRID IN 1 MOUNTING KIT LARGE 202 71 95 01L

145 x 145 max.25

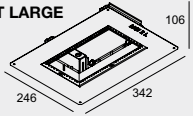
0,9



MINIGRID IN 2 MOUNTING KIT LARGE 202 71 95 02L

145 x 233 max.25

1,0



CONCRETE PACK MGIT1 133 x 160 x 133 160 x 160 x 140
202 71 96 01

CONCRETE PACK MGIT2 234 x 160 x 133 260 x 160 x 140
202 71 96 02

FULL INFO / PAG TEC

Options

INSTALLATION



PLASTERKIT 126 215 x 215 120 x 120
202 72 99 01

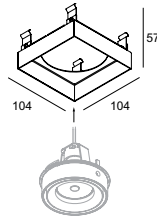
PLASTERKIT 127 215 x 250 120 x 225
202 72 99 02



Minigrid In Trimless Snap-In



MINIGRID IN TRIMLESS 1 FRAME B + 1 x MINIGRID SNAP-IN HI LED W



KIT x 85

MINIGRID IN TRIMLESS 1 FRAME ◊

202 73 01 ◊

◊ = B / W

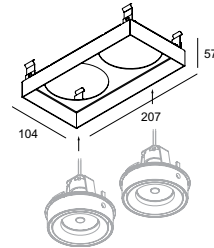
0,2

REQUIREMENTS
MINIGRID SNAP-IN

+
MINIGRID IN 1 MOUNTING KIT
or
MINIGRID IN 1 MOUNTING KIT LARGE
or
CONCRETE PACK MGIT1



MINIGRID IN TRIMLESS 2 FRAME B + 2 x MINIGRID SNAP-IN HI LED B



KIT x 85

MINIGRID IN TRIMLESS 2 FRAME ◊

202 73 02 ◊

◊ = B / W

0,3

REQUIREMENTS
2 x MINIGRID SNAP-IN

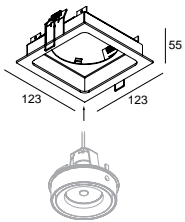
+
MINIGRID IN 2 MOUNTING KIT
or
MINIGRID IN 2 MOUNTING KIT LARGE
or
CONCRETE PACK MGIT2



Minigrid In Snap-In



MINIGRID IN 1 FRAME W-B + 1 x MINIGRID SNAP-IN HI LED W



111 x 111 x 70 max.22

MINIGRID IN 1 FRAME ◇

202 74 01 ◇

◇ = W-B / W-W

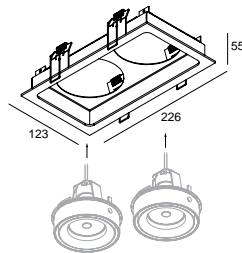
0,2

REQUIREMENTS
MINIGRID SNAP-IN

OPTIONS
PLASTERKIT 126



MINIGRID IN 2 FRAME W-B + 2 x MINIGRID SNAP-IN HI LED B



214 x 111 x 70 max.22

MINIGRID IN 2 FRAME ◇

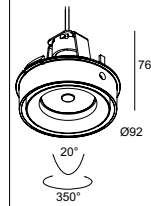
202 74 02 ◇

◇ = W-B / W-W

0,3

REQUIREMENTS
2 x MINIGRID SNAP-IN

OPTIONS
PLASTERKIT 127



MINIGRID SNAP-IN HI LED ◇

202 790 61 ◇

◇ = B / W

ADJUSTABLE 0° - 20° / 350°
GU10 / 100-240V / 50-60Hz

1 x QPAR51 max.10W

CE 0,1 IP20

OPTIONS
led LED SOLUTION - PAG TEC 4-5

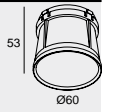


SPLITBOX 3 B + 3 x SPLITBOX SPY B + SPY TUBE B

FULL INFO / PAG TEC

Requirements

SPY TUBE ◇
414 01 00 ◇
 ◇ = B / MMAT / SG / W



FULL INFO / PAG TEC

Options

CONTROL GEAR



LED POWER SUPPLY
ALL INFO ON FOLD-OUT COVER



TRANSFO 50W 86 x 31 x 20
200 46 06

TRANSFO 100W 107 x 35 x 21
200 46 10

FULL INFO / PAG TEC

Accessories

HONEYCOMB 50 ◇ Ø50
413 03 01 ◇
 ◇ = B



LINEAR SPREAD LENS 50 Ø50
413 03 02



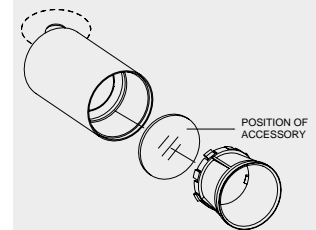
SPREAD LENS 50 Ø50
413 03 03



SOFTENING LENS 50 Ø50
413 03 04



GLASS SBL 50 Ø50
413 03 05

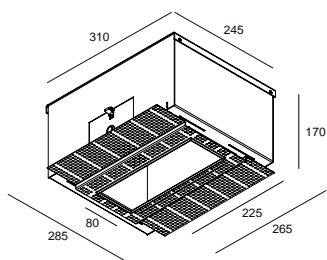


SPY TUBE B

SPY TUBE MMAT

SPY TUBE SG

SPY TUBE W



275 x 150 x 180

SPLITBOX 2 ◇

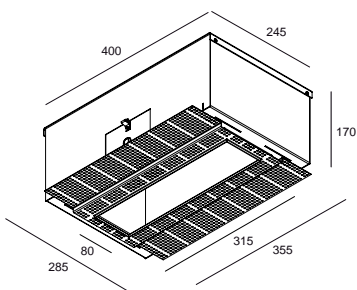
417 00 02 ◇

◇ = B

5,2

REQUIREMENTS

2 x SPLITBOX SPY
or
2 x SPLITBOX RB



365 x 150 x 180

SPLITBOX 3 ◇

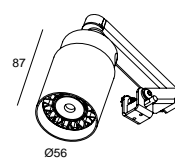
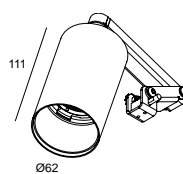
417 00 03 ◇

◇ = B

6,3

REQUIREMENTS

3 x SPLITBOX SPY
or
3 x SPLITBOX RB



CRI > 90

3000K ●

714lm (6,2W)
960lm (9,3W)

REFLECTOR SP-18°

SPLITBOX SPY 93018 ◇

417 371 81931 ◇

◇ = B / W

REFLECTOR FL-33°

SPLITBOX SPY 93033 ◇

417 371 81932 ◇

◇ = B / W

2700K ●

698lm (6,2W)
939lm (9,3W)

REFLECTOR SP-18°

SPLITBOX SPY 92718 ◇

417 371 81921 ◇

◇ = B / W

REFLECTOR FL-33°

SPLITBOX SPY 92733 ◇

417 371 81922 ◇

◇ = B / W

ADJUSTABLE
INCL. 1 x POWERLED [H] 6,2-9,3W
EXCL. LED POWER SUPPLY 350-500mA-DC

◇ CE 0,5 IP20

REQUIREMENTS

SPY TUBE

OPTIONS

LED POWER SUPPLY 350-500mA-DC

ACCESSORIES

HONEYCOMB 50
LINEAR SPREAD LENS 50
SPREAD LENS 50
SOFTENING LENS 50
GLASS SBL 50

SPLITBOX RB50 ◇

417 60 00 ◇

◇ = B / W

GU5.3 / 12V / EXCL. TRANSFO

1 x QR-C51 max.35W

◇ CE 0,4 IP20 0,5

OPTIONS

LED SOLUTION - PAG TEC 4-5
TRANSFO

ACCESSORIES (max.20W)

HONEYCOMB 50
LINEAR SPREAD LENS 50
SPREAD LENS 50
SOFTENING LENS 50
GLASS SBL 50

SPLITBOX RB50 Hi ◇

417 61 00 ◇

◇ = B / W

GU10 / 100-240V / 50-60Hz

1 x QPAR51 max.35W

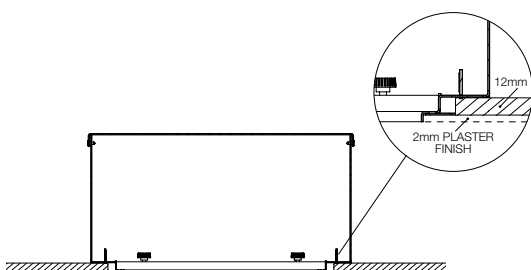
◇ CE 0,4 IP20 0,5

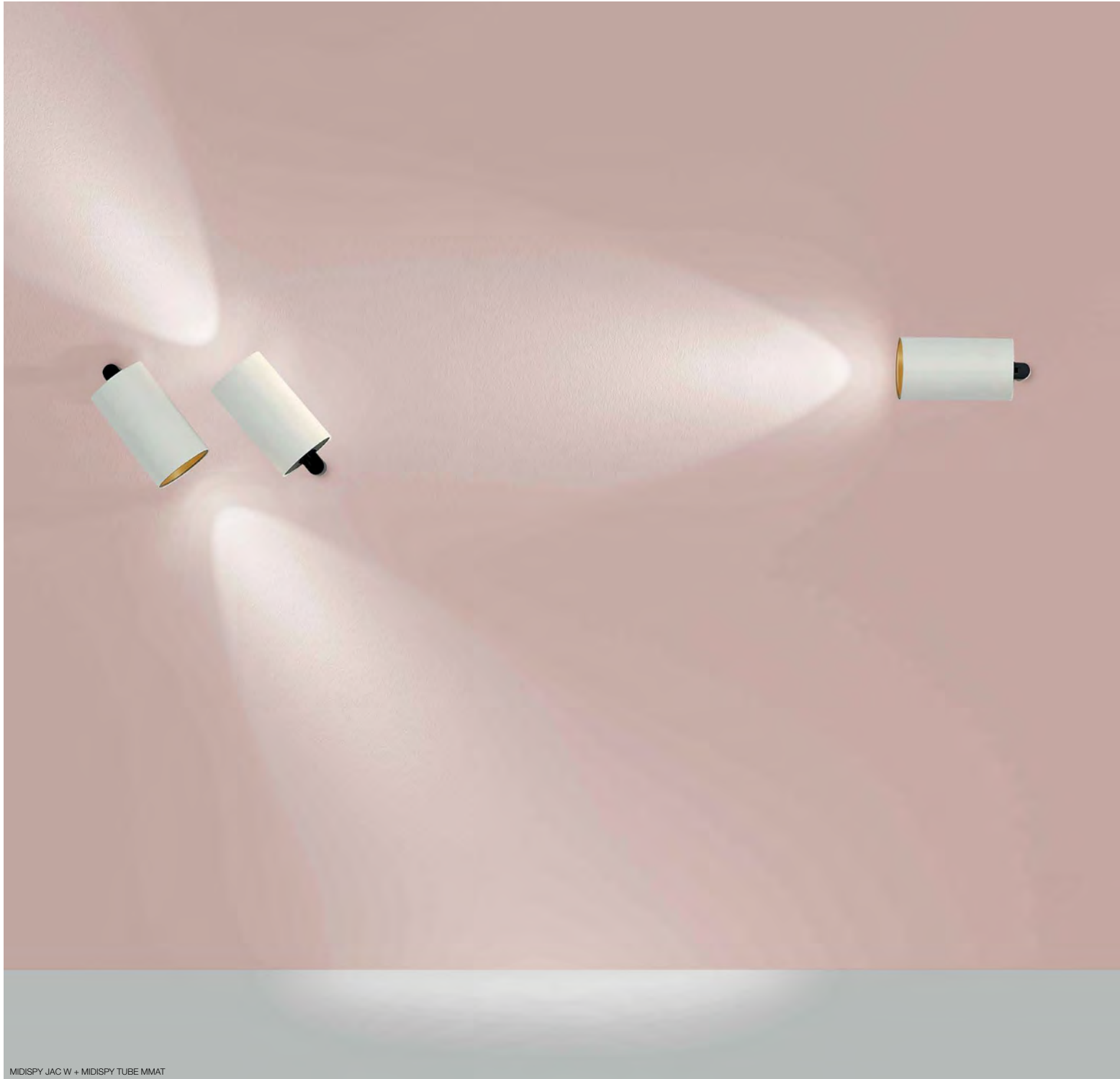
OPTIONS

LED SOLUTION - PAG TEC 4-5

ACCESSORIES (max.20W)

HONEYCOMB 50
LINEAR SPREAD LENS 50
SPREAD LENS 50
SOFTENING LENS 50
GLASS SBL 50



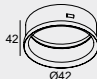


MIDISPY JAC W + MIDISPY TUBE MMAT

Requirements

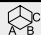
FULL INFO / PAG TEC

MIDISPY TUBE ◇
414 03 00 ◇
 ◇ = B / MMAT / SG / W




Options


FULL INFO / PAG TEC

JACK SYSTEM 

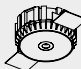
JACKPOINT ◇ Ø41 x 9 / 38 16 x 60
203 10 01 ◇
 ◇ = A / B / W




JACKPOINT TRIMLESS Ø62 x 80 60 x 80
328 10 04




SETPOINT ◇ Ø85 x 43 105 x 75
203 10 27 ◇
 ◇ = PRIM




CARREEPOINT ◇ 50 x 50 x 5 / 38 16 x 60
203 10 02 ◇
 ◇ = A / W




DELTAPOINT SINGLE ◇ Ø82 x 3 / 45 68 x 50
203 20 01 ◇
 ◇ = A / W




FLATPOINT ◇ Ø45 x 5 / 41 16 x 60
203 10 06 ◇
 ◇ = ALU / W

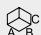


DAXPOINT ◇ Ø65 x 6 / 35 58 x 45
203 10 03 ◇
 ◇ = A / B / W



SAX 1 ◇ Ø50 / Ø19 x 52
203 10 15 ◇
 ◇ = A / W



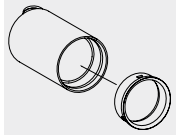

CONTROL GEAR 

LED POWER SUPPLY 184 x 63 x 40
48V / 90W
300 89 48 90

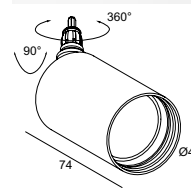
LED POWER SUPPLY 100 x 55 x 90
48V / 100W
300 89 48 100

LED POWER SUPPLY 240 x 60 x 49
48V / 150W
300 89 48 150

LED POWER SUPPLY 114 x 63 x 125
48V / 240W
300 89 48 240

 **Midispy JAC**



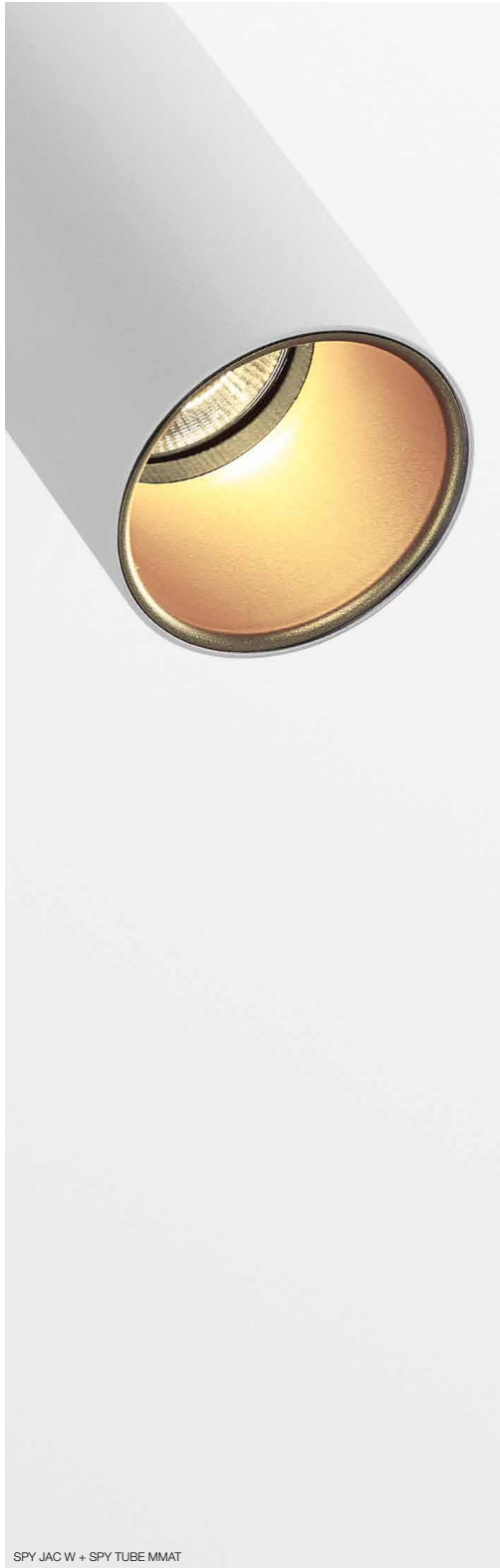
CRI > 90	
3000K ●	585lm (9W)
REFLECTOR WFL-40°	MIDISPY JAC 93040 ◇ JAC 241 933 ◇ ◇ = B / W
2700K ●	548lm (9W)
REFLECTOR WFL-40°	MIDISPY JAC 92740 ◇ JAC 241 923 ◇ ◇ = B / W

ADJUSTABLE 0-90° / 360°
 INCL. 1 x POWERLED 9W
 INCL. CONVERTOR 48V-DC-> 500mA-DC

◆ CE 0.4 IP20

REQUIREMENTS
 MIDISPY TUBE

OPTIONS
 JACK SYSTEM
 LED POWER SUPPLY 48V-DC

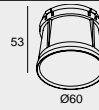


SPY JAC W + SPY TUBE MMAT

FULL INFO / PAG TEC

Requirements

SPY TUBE ◇
414 01 00 ◇
 ◇ = B / MMAT / **SG** / W



FULL INFO / PAG TEC

Options

JACK SYSTEM

JACKPOINT ◇ Ø41 x 9 / 38 16 x 60
203 10 01 ◇
 ◇ = A / B / W



JACKPOINT TRIMLESS Ø62 x 80 60 x 80
328 10 04



SETPOINT ◇ Ø85 x 43 105 x 75
203 10 27 ◇
 ◇ = PRIM



CARREEPOINT ◇ 50 x 50 x 5 / 38 16 x 60
203 10 02 ◇
 ◇ = A / W



DELTAPOINT SINGLE ◇ Ø82 x 3 / 45 68 x 50
203 20 01 ◇
 ◇ = A / W



FLATPOINT ◇ Ø45 x 5 / 41 16 x 60
203 10 06 ◇
 ◇ = ALU / W



DAXPOINT ◇ Ø65 x 6 / 35 58 x 45
203 10 03 ◇
 ◇ = A / B / W



SAX 1 ◇ Ø50 / Ø19 x 52
203 10 15 ◇
 ◇ = A / W



CONTROL GEAR



LED POWER SUPPLY 184 x 63 x 40
48V / 90W
300 89 48 90

LED POWER SUPPLY 100 x 55 x 90
48V / 100W
300 89 48 100

LED POWER SUPPLY 240 x 60 x 49
48V / 150W
300 89 48 150

LED POWER SUPPLY 114 x 63 x 125
48V / 240W
300 89 48 240

FULL INFO / PAG TEC

Accessories

HONEYCOMB 50 ◇ Ø50
413 03 01 ◇
 ◇ = B



LINEAR SPREAD LENS 50 Ø50
413 03 02



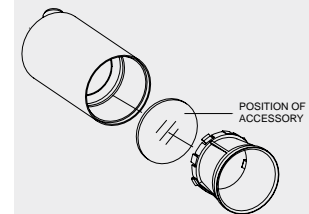
SPREAD LENS 50 Ø50
413 03 03



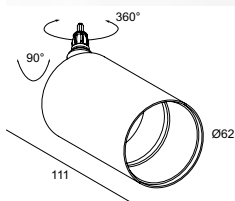
SOFTENING LENS 50 Ø50
413 03 04



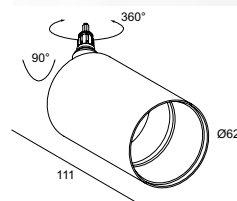
GLASS SBL 50 Ø50
413 03 05



led Spy JAC



led Spy JAC HP



CRI > 90	
4000K	
3000K	960lm (9,3W)
REFLECTOR SP-18°	SPY JAC 93018 ◇ JAC 341 81931 ◇ ◇ = B / W
REFLECTOR FL-33°	SPY JAC 93033 ◇ JAC 341 81932 ◇ ◇ = B / W
2700K	939lm (9,3W)
REFLECTOR SP-18°	SPY JAC 92718 ◇ JAC 341 81921 ◇ ◇ = B / W
REFLECTOR FL-33°	SPY JAC 92733 ◇ JAC 341 81922 ◇ ◇ = B / W

ADJUSTABLE 0-90° / 360°
INCL. 1 x POWERLED 9,3W
INCL. CONVERTOR 48V-DC-> 500mA-DC

CE 0,4 IP20

REQUIREMENTS
SPY TUBE

OPTIONS
JACK SYSTEM
LED POWER SUPPLY 48V-DC

ACCESSORIES
HONEYCOMB 50
LINEAR SPREAD LENS 50
SPREAD LENS 50
SOFTENING LENS 50
GLASS SBL 50

CRI > 90	
ON REQUEST	
2160lm (18W)	
	SPY HP JAC 93033 ◇ JAC 341 21 931 ◇ ◇ = B / W
2094lm (18W)	
	SPY HP JAC 92733 ◇ JAC 341 21 921 ◇ ◇ = B / W

ADJUSTABLE 0-90° / 360°
INCL. 1 x POWERLED 18W
INCL. CONVERTOR 48V-DC-> 500mA-DC

CE 0,4 IP20

REQUIREMENTS
SPY TUBE

OPTIONS
JACK SYSTEM
LED POWER SUPPLY 48V-DC

ACCESSORIES
HONEYCOMB 50
LINEAR SPREAD LENS 50
SPREAD LENS 50
SOFTENING LENS 50
GLASS SBL 50

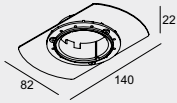


Options

INSTALLATION



MOUNTING KIT FLUSH SPY 140 x 82 x 22 83 x 40
414 90 01



FULL INFO / PAG.TEC

Accessories

HONEYCOMB 50 ◊ Ø50
413 03 01 ◊
◊ = B



LINEAR SPREAD LENS 50 Ø50
413 03 02



SPREAD LENS 50 Ø50
413 03 03



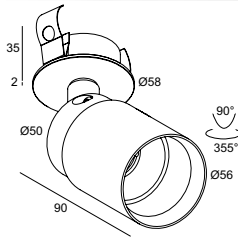
SOFTENING LENS 50 Ø50
413 03 04



GLASS SBL 50 Ø50
413 03 05



Spy Clip Hi



50 x 40

SPY CLIP Hi ◊

414 61 00 ◊
◊ = B / W
ADJUSTABLE 0-90° / 355°
GU10 / 100-240V / 50-60Hz
1 x QPAR51 max.35W

CE 0,5 IP20 (0,5)

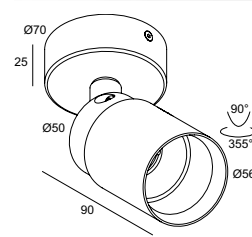
OPTIONS

MOUNTING KIT FLUSH SPY
led LED SOLUTION - PAG.TEC 4-5

ACCESSORIES (max.20W)

HONEYCOMB 50
LINEAR SPREAD LENS 50
SPREAD LENS 50
SOFTENING LENS 50
GLASS SBL 50

Spy On Hi



SPY ON Hi ◊

414 62 00 ◊
◊ = B / W
ADJUSTABLE 0-90° / 355°
GU10 / 100-240V / 50-60Hz
1 x QPAR51 max.35W

CE 0,5 IP20 (0,5)

OPTIONS

led LED SOLUTION - PAG.TEC 4-5

ACCESSORIES (max.20W)

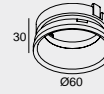
HONEYCOMB 50
LINEAR SPREAD LENS 50
SPREAD LENS 50
SOFTENING LENS 50
GLASS SBL 50



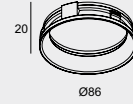
FULL INFO / PAG TEC

Requirements

SPY TUBE S ◇
414 02 00 ◇
 ◇ = B / MMAT / SG / W



PINTOR 90 TUBE ◇
414 06 00 ◇
 ◇ = B / MMAT / SG / W



FULL INFO / PAG TEC

Accessories

HONEYCOMB 50 ◇ Ø50
413 03 01 ◇
 ◇ = B



LINEAR SPREAD LENS 50 Ø50
413 03 02



SPREAD LENS 50 Ø50
413 03 03



SOFTENING LENS 50 Ø50
413 03 04



GLASS SBL 50 Ø50
413 03 05



HONEYCOMB 78 ◇ Ø78
201 02 01 ◇
 ◇ = B



SOFTENING LENS 78 Ø78
201 02 04



GLASS SBL 78 Ø78
201 02 05



4000K ●

3000K ●

REFLECTOR SP-20°

REFLECTOR FL-33°

REFLECTOR FL-35°

2700K ●

REFLECTOR SP-20°

REFLECTOR FL-33°

REFLECTOR FL-35°



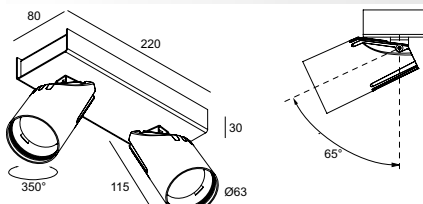
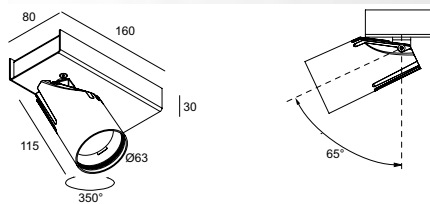
POSITION OF ACCESSORY



TUBE



Pintor 63 On



CRI > 90

CRI > 90

960lm (9,3W)

2 x 960lm (9,3W)

PINTOR 63 ON 1 93033 DIM8 ◇
202 404 81932 ED8 ◇
 ◇ = B / W

PINTOR 63 ON 2 93033 DIM8 ◇
202 404 82932 ED8 ◇
 ◇ = B / W

939lm (9,3W)

2 x 939lm (9,3W)

PINTOR 63 ON 1 92733 DIM8 ◇
202 404 81922 ED8 ◇
 ◇ = B / W

PINTOR 63 ON 2 92733 DIM8 ◇
202 404 82922 ED8 ◇
 ◇ = B / W

ADJUSTABLE 0° - 65° / 350°
 INCL. 1 x POWERLED 9,3W
 INCL. LED POWER SUPPLY 500mA-DC
 220-240V / 50-60Hz
 MAINS DIMMING (FE)

CE 0.8 IP20

REQUIREMENTS
 SPY TUBE S

ACCESSORIES
 HONEYCOMB 50
 LINEAR SPREAD LENS 50
 SPREAD LENS 50
 SOFTENING LENS 50
 GLASS SBL 50

ADJUSTABLE 0° - 65° / 350°
 INCL. 2 x POWERLED 9,3W
 INCL. LED POWER SUPPLY 500mA-DC
 220-240V / 50-60Hz
 MAINS DIMMING (FE)

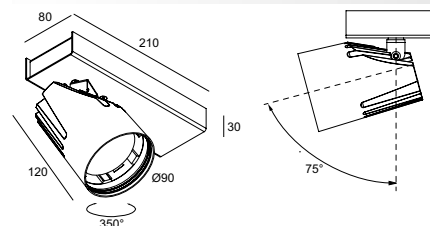
CE 1.2 IP20

REQUIREMENTS
 2 x SPY TUBE S

ACCESSORIES
 HONEYCOMB 50
 LINEAR SPREAD LENS 50
 SPREAD LENS 50
 SOFTENING LENS 50
 GLASS SBL 50



Pintor 90 On



CRI > 90

ON REQUEST

2900lm (25W)

PINTOR 90 ON 93020 DIM7 ◇
202 409 21 932 ED7 ◇
 ◇ = B / W

PINTOR 90 ON 93035 DIM7 ◇
202 409 21 933 ED7 ◇
 ◇ = B / W

2810lm (25W)

PINTOR 90 ON 92720 DIM7 ◇
202 409 21 922 ED7 ◇
 ◇ = B / W

PINTOR 90 ON 92735 DIM7 ◇
202 409 21 923 ED7 ◇
 ◇ = B / W

ADJUSTABLE 0° - 75° / 350°
 INCL. 1 x POWERLED 25W
 INCL. LED POWER SUPPLY 700mA-DC
 110-240V / 50-60Hz

CE 1.9 IP20

REQUIREMENTS
 PINTOR 90 TUBE

ACCESSORIES
 HONEYCOMB 78
 SOFTENING LENS 78
 GLASS SBL 78

DIM7: dimming by push button / 1-10V

SUPER OH! OVERVIEW

To discover more or download technical files of your preferred Super Oh! just add the product reference (without colour) or name to the deltalight.com url (E.g. www.deltalight.com/3081206822) or go to www.deltalight.com/superoh



SUPER OH! SBL TRIMLESS



Ø 700 - Ø 1200

FIXED

SBL: FULL

PAG 43



SUPER OH! XS PIVOT



Ø 250 - Ø 390

ADJUSTABLE 0-45°

SBL: FULL

PAG 44



SUPER OH! XS



Ø 250 - Ø 390

FIXED

SBL: FULL

PAG 44



SUPER OH! XS C



Ø 390

FIXED

SBL: FULL

PAG 45



SUPER OH! XS AD



Ø 250 - Ø 390

ADJUSTABLE 0-45°

SBL: FULL

PAG 45



SUPER OH! SBL



Ø 700 - Ø 1200

FIXED

SBL: FULL

PAG 47



SUPER OH! SBL DOWN-UP



Ø 700 - Ø 1200

FIXED

SBL: FULL

PAG 47

SUPER OH!



Ø 700 - Ø 1200 - Ø 1700

FIXED

E27

PAG INT 379 THE LIGHTING BIBLE® 11

SUPER OH! LED



Ø 700 - Ø 1200 - Ø 1700

FIXED

PAG INT 377 THE LIGHTING BIBLE® 11



SUPER OH! LED DOWN-UP



Ø 700 - Ø 1200 - Ø 1700

FIXED

PAG 49



SUPER OH! XS

SPECIAL CONSTRUCTION / ON REQUEST



FULL INFO / PAG TEC

Options

INSTALLATION



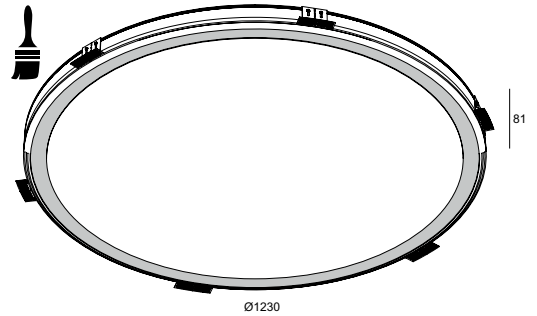
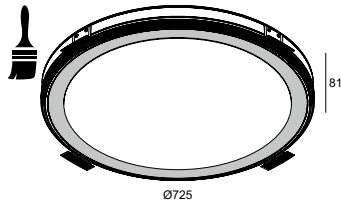
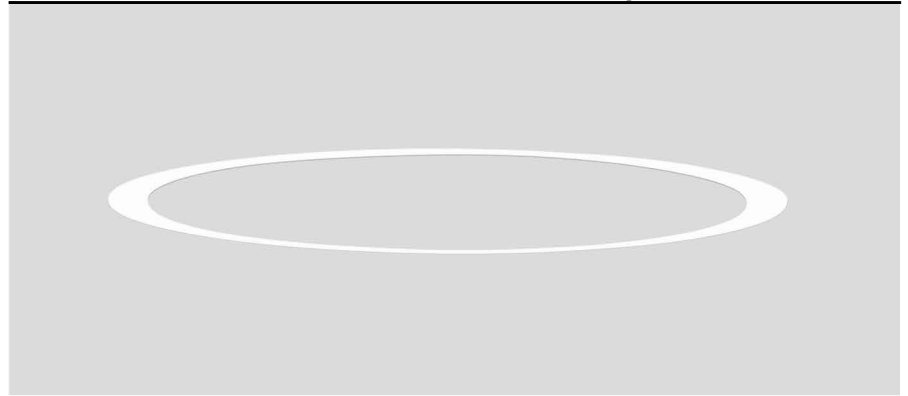
WIRELESS CONTROL DIM1 55 x 35 x 22
300 90 004 ED1
 INFO PAG TEC 12-13



WIRELESS CONTROL DIM5 55 x 35 x 22
300 90 004 ED5
 INFO PAG TEC 12-13



Super Oh! SBL Trimless



735 x 150 max.25

1240 x 150 max.25

CRI > 80

CRI > 80

6081lm

10238lm



SUPER OH! SBL TRIMLESS 70 DIM1
308 20 07 83 ED1
 DIMMING BY 1-10V

SUPER OH! SBL TRIMLESS 120 DIM1
308 20 12 83 ED1
 DIMMING BY 1-10V



SUPER OH! SBL TRIMLESS 70 DIM5
308 20 07 83 ED5
 DIMMING BY DALI

SUPER OH! SBL TRIMLESS 120 DIM5
308 20 12 83 ED5
 DIMMING BY DALI

INCL.PC SBL
 INCL.CENTER BOARD MDF
 INCL.LEDCLUSTER 45W / 3000K
 INCL.LED POWER SUPPLY
 220-240V / 0 | 50-60Hz

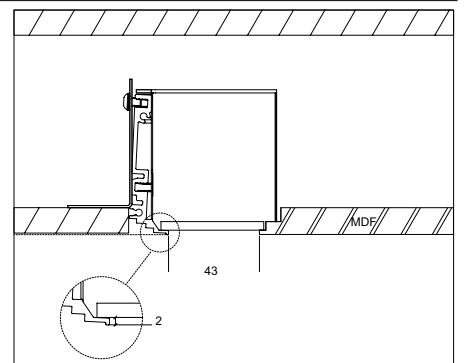
INCL.PC SBL
 INCL.CENTER BOARD MDF
 INCL.LEDCLUSTER 75W / 3000K
 INCL.LED POWER SUPPLY
 220-240V / 0 | 50-60Hz

CE 9,1 IP20

CE 14,2 IP20

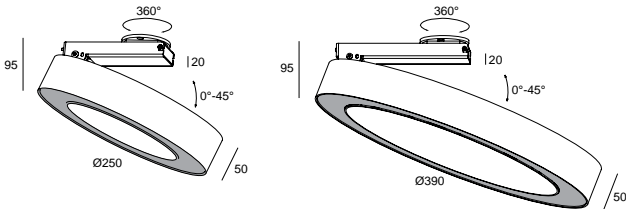
OPTION
 WIRELESS CONTROL

OPTION
 WIRELESS CONTROL

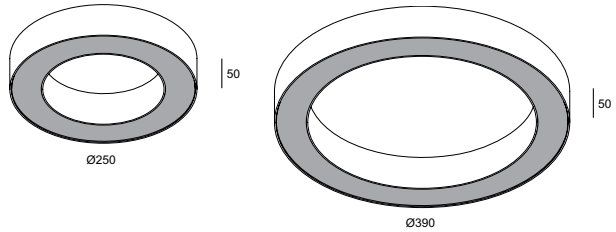




Super Oh! XS Pivot



Super Oh! XS



CRI > 80	
1470lm	2940lm

SUPER OH! XS PIVOT 25 DIM8 ◇
308 22 02 83 ED8 ◇
 ◇ = B / W
 ADJUSTABLE 0-45°
 INCL. 1 x PC SBL
 INCL. LED CLUSTER 12,5W / 3000K
 220-240V / 50-60Hz
 MAINS DIMMING (FE)

◇ CE 0,9 IP20

SUPER OH! XS PIVOT 39 DIM8 ◇
308 22 03 83 ED8 ◇
 ◇ = B / W
 ADJUSTABLE 0-45°
 INCL. 1 x PC SBL
 INCL. LED CLUSTER 25W / 3000K
 220-240V / 50-60Hz
 MAINS DIMMING (FE)

◇ CE 1,4 IP20

CRI > 80	
1470lm	2940lm

SUPER OH! XS 25 DIM8 ◇
308 21 02 83 ED8 ◇
 ◇ = B / W
 FIXED
 INCL. 1 x PC SBL
 INCL. LED CLUSTER 12,5W / 3000K
 220-240V / 50-60Hz
 MAINS DIMMING (FE)

◇ CE 0,6 IP40

SUPER OH! XS 39 DIM8 ◇
308 21 03 83 ED8 ◇
 ◇ = B / W
 FIXED
 INCL. 1 x PC SBL
 INCL. LED CLUSTER 25W / 3000K
 220-240V / 50-60Hz
 MAINS DIMMING (FE)

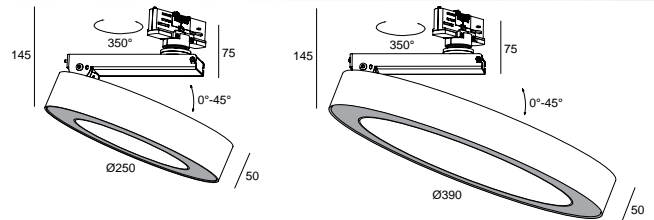
◇ CE 1,1 IP40



Super Oh! XS C



Super Oh! XS Pivot AD

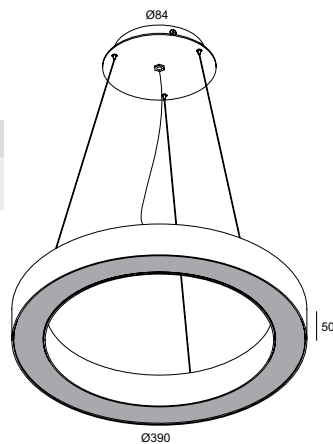


CRI > 80

2940lm

SUPER OH! XS 39 C DIM8 ◇
308 23 03 83 ED8 ◇
 ◇ = B / W
 FIXED
 INCL. 1 x PC SBL
 INCL. LED CLUSTER 25W / 3000K
 INCL. 3 x CABLE SUSP. SINGLE AUTO. 1,6m
 INCL. 1 x CABLE 3 x 0,75mm²
 220-240V / 50-60Hz
 MAINS DIMMING (FE)

◇ CE 0,9 IP20



CRI > 80

1470lm

2940lm

SUPER OH! XS PIVOT 25 AD DIM8 ◇
308 22 02 83 AD ED8 ◇
 ◇ = B / W
 ADJUSTABLE 0-45°
 INCL. 1 x PC SBL
 INCL. LED CLUSTER 12,5W / 3000K
 220-240V / 50-60Hz
 MAINS DIMMING (FE)

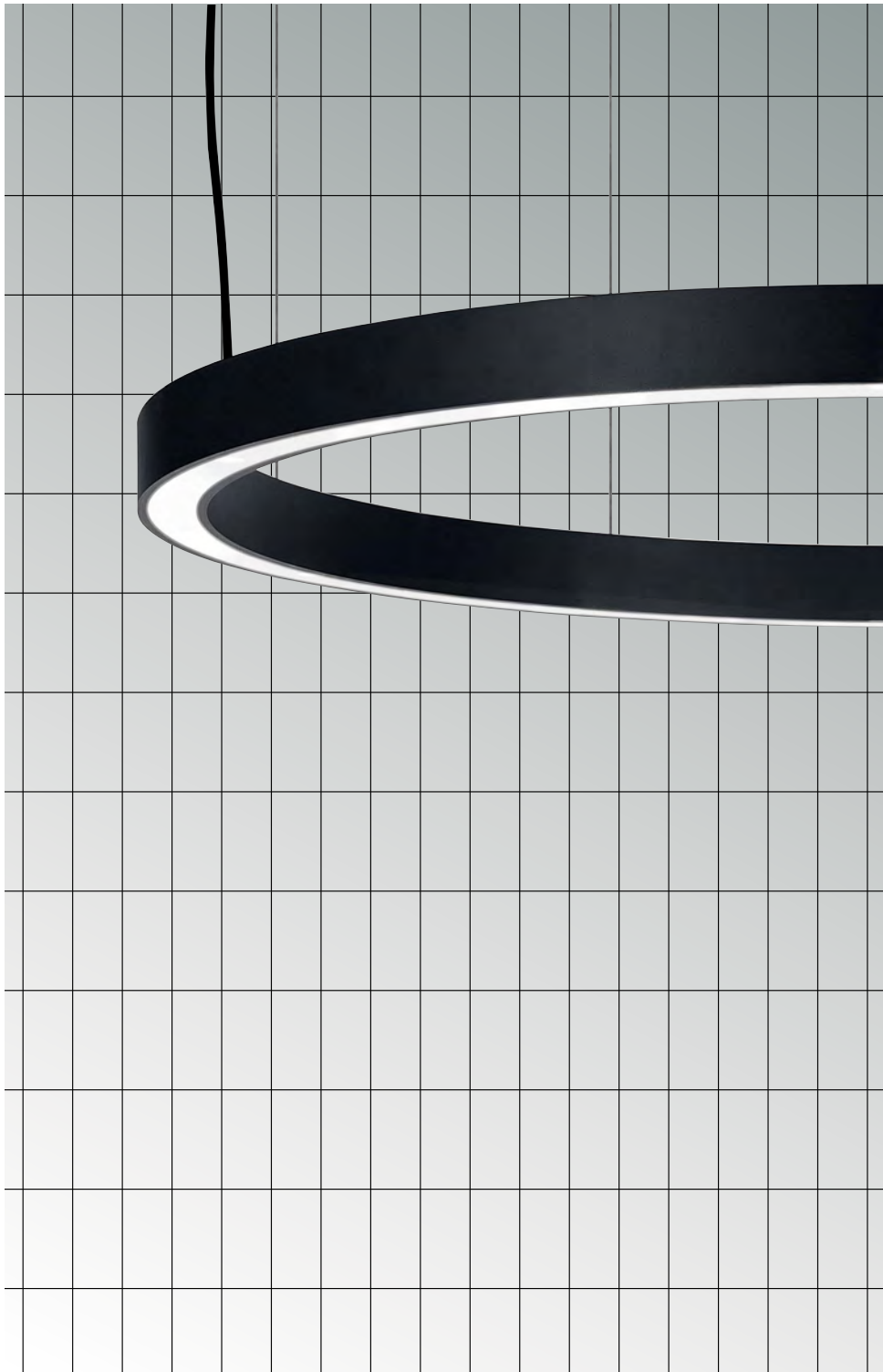
◇ CE 1,0 IP20

REQUIREMENT
 3F TRACK - ALL INFO:
 PAG INT 598-599 THE LIGHTING BIBLE® 11

SUPER OH! XS PIVOT 39 AD DIM8 ◇
308 22 03 83 AD ED8 ◇
 ◇ = B / W
 ADJUSTABLE 0-45°
 INCL. 1 x PC SBL
 INCL. LED CLUSTER 25W / 3000K
 220-240V / 50-60Hz
 MAINS DIMMING (FE)

◇ CE 1,5 IP20

REQUIREMENT
 3F TRACK - ALL INFO:
 PAG INT 598-599 THE LIGHTING BIBLE® 11



FULL INFO / PAG TEC

Options

INSTALLATION



CABLE BASE R ◇ Ø57 x 41
 203 99 55 ◇
 ◇ = ANO / B / W



CABLE BASE S ◇ 57 x 57 x 41
 203 99 56 ◇
 ◇ = ANO / B / W



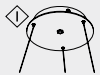
COVERSET R ◇
 204 00 62 ◇ Ø62
 204 00 90 ◇ Ø90
 204 00 100 ◇ Ø100
 ◇ = ANO / B / W



COVERSET S ◇
 204 62 62 ◇ 62 x 62
 204 80 80 ◇ 80 x 80
 204 90 90 ◇ 90 x 90
 ◇ = ANO / B / W



CENTRAL SUSPENSION ◇
 328 23 23 ◇
 ◇ = B / W
 INCL.3 x CABLE SUSP. SINGLE AUTO. 3m

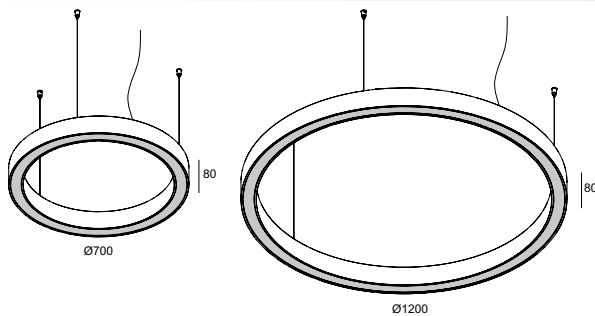


WIRELESS CONTROL DIM5 55 x 35 x 22
 300 90 004 ED5
 INFO PAG TEC 12-13

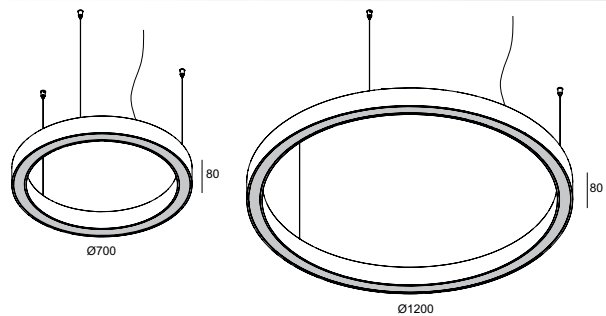



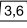
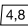



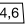

Super-Oh! SBL

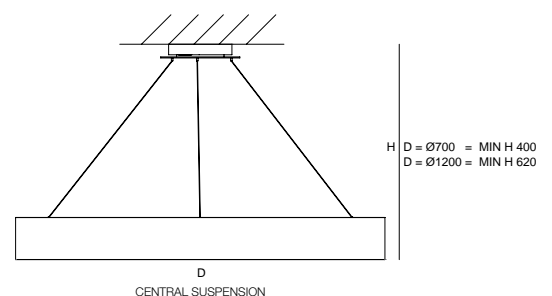


Super-Oh! SBL Down-Up



CRI > 80	
6081lm	10238lm
SUPER-OH! SBL 70 ◇ 308 18 07 83 ◇ ◇ = B / W	
SUPER-OH! SBL 120 DIM5 ◇  308 18 12 83 ED5 ◇ ◇ = B / W	
INCL. 1 x PC SBL INCL. LED CLUSTER 45W / 3000K ● INCL. LED POWER SUPPLY INCL. 3 x CABLE SUSP. SINGLE AUTO. 3m INCL. 1 x CABLE 3 x 0,75mm ² 220-240V / 0 50-60Hz ◇ CE  IP20 OPTIONS CABLE BASE R / S COVERSET R / S CENTRAL SUSPENSION	INCL. 1 x PC SBL INCL. LED CLUSTER 75W / 3000K ● INCL. DIMMABLE LED POWER SUPPLY DIMMING BY DALI INCL. 3 x CABLE SUSP. SINGLE AUTO. 3m INCL. 1 x CABLE 5 x 0,75mm ² 220-240V / 0 50-60Hz ◇ CE  IP20 OPTIONS CABLE BASE R / S COVERSET R / S CENTRAL SUSPENSION WIRELESS CONTROL DIM5

CRI > 80	
4 x 260lm (UP) 6081lm (DOWN)	6 x 260lm (UP) 10238lm (DOWN)
SUPER-OH! SBL DOWN-UP 70 ◇ 308 19 07 83 ◇ ◇ = B / W	
SUPER-OH! SBL DOWN-UP 120 DIM5 ◇  308 19 12 83 ED5 ◇ ◇ = B / W	
INCL. 1 x PC SBL INCL. 4 x POWERLED UP 2,1W / 3000K ● INCL. LED CLUSTER DOWN 45W / 3000K ● INCL. LED POWER SUPPLY INCL. 3 x CABLE SUSP. SINGLE AUTO. 3m INCL. 1 x CABLE 5 x 0,75mm ² CABLING 2 CIRCUITS 220-240V / 0 50-60Hz ◇ CE  IP20 OPTIONS CABLE BASE R / S COVERSET R / S CENTRAL SUSPENSION	INCL. 1 x PC SBL INCL. 6 x POWERLED UP 2,1W / 3000K ● INCL. LED POWER SUPPLY INCL. LED CLUSTER DOWN 75W / 3000K ● INCL. DIMMABLE LED POWER SUPPLY DIMMING BY DALI INCL. 3 x CABLE SUSP. SINGLE AUTO. 3m INCL. 1 x CABLE 5 x 0,75mm ² CABLING 2 CIRCUITS 220-240V / 0 50-60Hz ◇ CE  IP20 OPTIONS CABLE BASE R / S COVERSET R / S CENTRAL SUSPENSION WIRELESS CONTROL DIM5





FULL INFO / PAG TEC

Options

INSTALLATION

CABLE BASE R ◇

203 99 55 ◇

◇ = ANO / B / W



Ø57 x 41



CABLE BASE S ◇

203 99 56 ◇

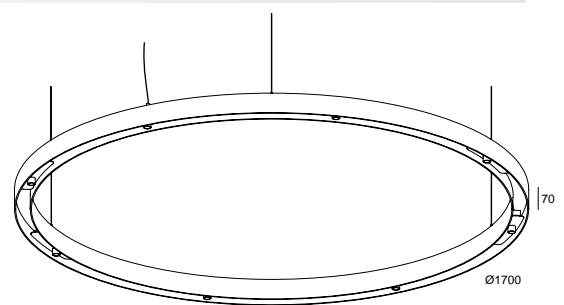
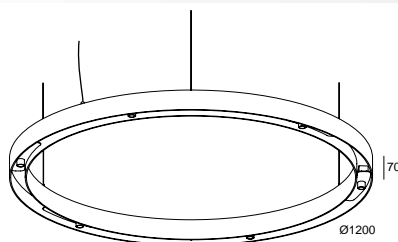
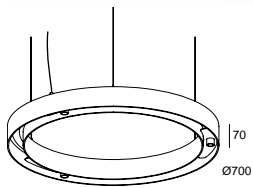
◇ = ANO / B / W

57 x 57 x 41





Super-Oh! Down-Up



SUPER-OH! 70 DOWN-UP 83020 ◇

308 07 06 832 ◇

◇ = B

FIXED

INCL.3 x POWERLED 6W / 3000K ● / 525lm (DOWN)
INCL.3 x POWERLED 3W / 3000K ● / 416lm (UP)

SUPER-OH! 70 DOWN-UP 82720 ◇

308 07 06 822 ◇

◇ = B

FIXED

INCL.3 x POWERLED 6W / 2700K ● / 525lm (DOWN)
INCL.3 x POWERLED 3W / 2700K ● / 395lm (UP)

INCL.3 x LENS FL-20° (DOWN)
INCL.3 x LED POWER SUPPLY 500mA-DC
CABLING 1 CIRCUIT
INCL.3 x CABLE SUSP. SINGLE AUTO. 3m
INCL.1 x CABLE 2 x 0,75mm²
220-240V / 0 | 50-60Hz
MAINS DIMMING (FE)

□ CE 5.8 IP20

OPTIONS

CABLE BASE R / S

SUPER-OH! 120 DOWN-UP 83020 ◇

308 12 12 832 ◇

◇ = B

FIXED

INCL.6 x POWERLED 6W / 3000K ● / 525lm (DOWN)
INCL.6 x POWERLED 3W / 3000K ● / 416lm (UP)

SUPER-OH! 120 DOWN-UP 82720 ◇

308 12 12 822 ◇

◇ = B

FIXED

INCL.6 x POWERLED 6W / 2700K ● / 525lm (DOWN)
INCL.6 x POWERLED 3W / 2700K ● / 395lm (UP)

INCL.6 x LENS FL-20° (DOWN)
INCL.6 x LED POWER SUPPLY 500mA-DC
CABLING 1 CIRCUIT
INCL.3 x CABLE SUSP. SINGLE AUTO. 3m
INCL.1 x CABLE 2 x 0,75mm²
220-240V / 0 | 50-60Hz
MAINS DIMMING (FE)

□ CE 11.0 IP20

OPTIONS

CABLE BASE R / S

SUPER-OH! 170 DOWN-UP 83020 ◇

308 17 16 832 ◇

◇ = B

FIXED

INCL.8 x POWERLED 6W / 3000K ● / 525lm (DOWN)
INCL.8 x POWERLED 3W / 3000K ● / 416lm (UP)

SUPER-OH! 170 DOWN-UP 82720 ◇

308 17 16 822 ◇

◇ = B

FIXED

INCL.8 x POWERLED 6W / 2700K ● / 525lm (DOWN)
INCL.8 x POWERLED 3W / 2700K ● / 395lm (UP)

INCL.8 x LENS FL-20° (DOWN)
INCL.8 x LED POWER SUPPLY 500mA-DC
CABLING 1 CIRCUIT
INCL.3 x CABLE SUSP. SINGLE AUTO. 3m
INCL.1 x CABLE 2 x 0,75mm²
220-240V / 0 | 50-60Hz
MAINS DIMMING (FE)

□ CE 16.0 IP20

OPTIONS

CABLE BASE R / S

OPTION FOR SUPERNOVA LINE PRESENCE DETECTION

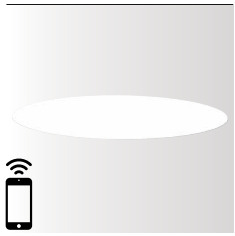



The Supernova Line range can now be upgraded with a Presence Detection Sensor, resulting in energy-saving and higher comfort. These sensors can be programmed to your specific needs and wishes, detecting the slightest movement in the room.





Customize to your needs

You can program the sensor to only switch lights on when someone enters the room, and switch automatically off when no one is around. Time between departure and lights off (hold time), plus the detection zone, can be programmed to match the needs of your project.

Hidden installation

This module needs to be installed inside the luminaire, avoiding visible detection sensors and resulting in clean ceilings and walls.

<p>SUPERNOVA TRIMLESS</p>  <p>Ø 675 - Ø 975 - Ø 1275</p> <p>FIXED</p> <p> SBL: LINE</p> <p>PAG INT 273 THE LIGHTING BIBLE® 11</p>	<p>SUPERNOVA</p>  <p>Ø 650 - Ø 950 - Ø 1250</p> <p>FIXED</p> <p> SBL: LINE PRISMA: LINE</p> <p>PAG INT 279 THE LIGHTING BIBLE® 11</p>
--	--

<p>SUPERNOVA</p>  <p>Ø 650 - Ø 950 - Ø 1250</p> <p>FIXED</p> <p> SBL: LINE PRISMA: LINE</p> <p>PAG INT 391 THE LIGHTING BIBLE® 11</p>	<p>SUPERNOVA DOWN/UP</p>  <p>Ø 650 - Ø 950 - Ø 1250</p> <p>FIXED</p> <p> SBL: LINE PRISMA: LINE</p> <p>PAG INT 397 THE LIGHTING BIBLE® 11</p>
--	--



Presence Detection HF Sensor


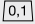
PRESENCE DETECTION HF SENSOR

300 90 311

EXCL. MOUNTING IN SUPERNOVA LINE

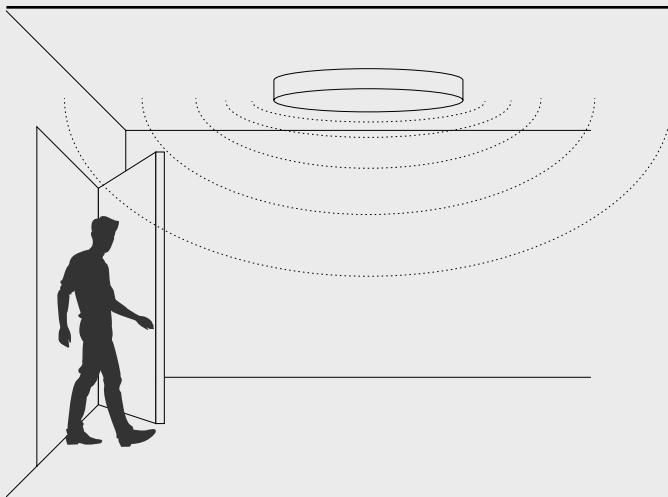
INVISIBLE MOUNTING

220-240V / 50-60Hz

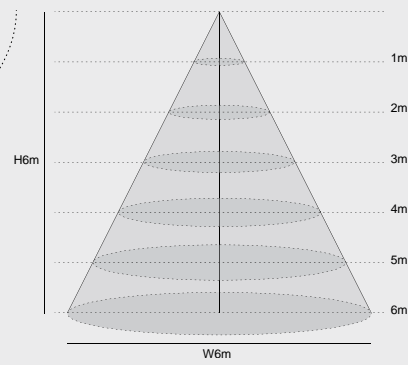
  IP20



3 Settings



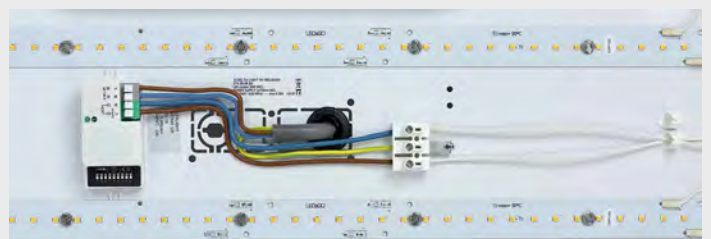
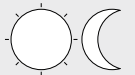
1/ DETECTION PATTERN

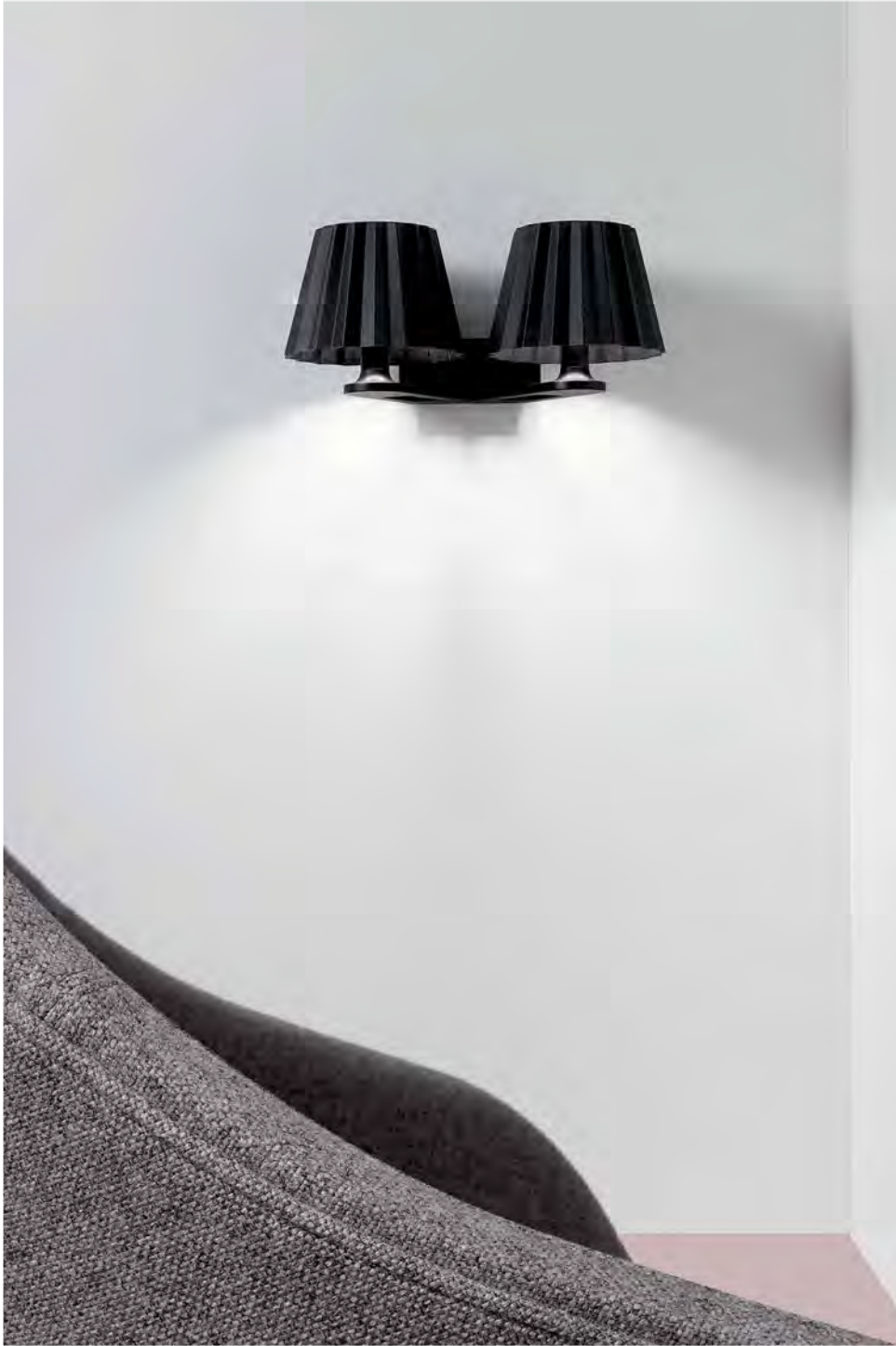


2 / HOLD-TIME 5 SECONDS / 30 MIN

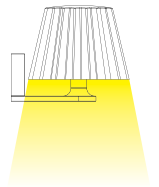
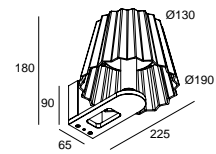


3 / DAY-NIGHT





Butler W



BUTLER W 930 DIM8 ◇
222 031 11 93 ED8 ◇
◇ = A / ALU-B / B
INCL.LED CLUSTER 16W / 3000K ●

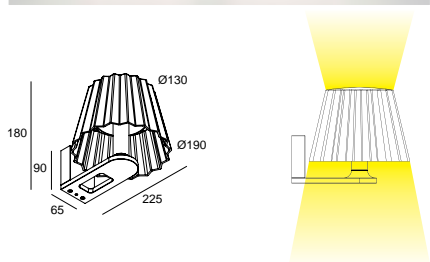
BUTLER W 927 DIM8 ◇
222 031 11 92 ED8 ◇
◇ = A / ALU-B / B
INCL.LED CLUSTER 16W / 2700K ●

220-240V / 50-60Hz
MAINS DIMMING (FE)

◇ CE 1.3 IP56

CRI>90 - 3000K - 1216lm (16W)
CRI>90 - 2700K - 1154lm (16W)

led Butler W Down-Up



BUTLER W 930 DOWN-UP DIM8 ◇
222 031 12 93 ED8 ◇
 ◇ = A / ALU-B / B
 INCL.LED CLUSTER UP 6W / 3000K ●
 INCL.LED CLUSTER DOWN 10W / 3000K ●

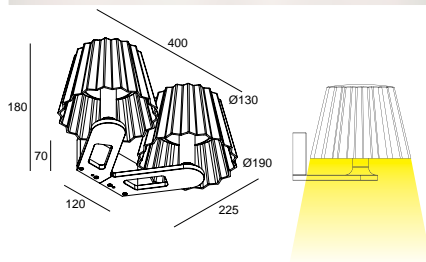
BUTLER W 927 DOWN-UP DIM8 ◇
222 031 12 92 ED8 ◇
 ◇ = A / ALU-B / B
 INCL.LED CLUSTER UP 6W / 2700K ●
 INCL.LED CLUSTER DOWN 10W / 2700K ●

220-240V / 50-60Hz
 MAINS DIMMING (FE)

◇ CE 1,5 IP56

CRI>90 - 3000K - UP 500lm (6W) / DOWN 760lm (10W)
 CRI>90 - 2700K - UP 475lm (6W) / DOWN 725lm (10W)

led Butler W D



BUTLER W D 930 DIM8 ◇
222 032 11 93 ED8 ◇
 ◇ = A / B
 INCL.2 x LED CLUSTER 16W / 3000K ●

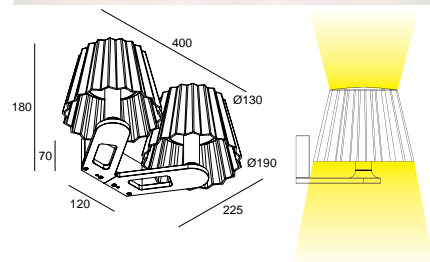
BUTLER W D 927 DIM8 ◇
222 032 11 92 ED8 ◇
 ◇ = A / B
 INCL.2 x LED CLUSTER 16W / 2700K ●

220-240V / 50-60Hz
 MAINS DIMMING (FE)

◇ CE 2,8 IP56

CRI>90 - 3000K - 1216lm (16W)
 CRI>90 - 2700K - 1154lm (16W)

led Butler W D Down-Up



BUTLER W D 930 DOWN-UP DIM8 ◇
222 032 12 93 ED8 ◇
 ◇ = A / B
 INCL.2 x LED CLUSTER UP 6W / 3000K ●
 INCL.2 x LED CLUSTER DOWN 10W / 3000K ●

BUTLER W D 927 DOWN-UP DIM8 ◇
222 032 12 92 ED8 ◇
 ◇ = A / B
 INCL.2 x LED CLUSTER UP 6W / 2700K ●
 INCL.2 x LED CLUSTER DOWN 10W / 2700K ●

220-240V / 50-60Hz
 MAINS DIMMING (FE)

◇ CE 3,2 IP56

CRI>90 - 3000K - UP 500lm (6W) / DOWN 760lm (10W)
 CRI>90 - 2700K - UP 475lm (6W) / DOWN 725lm (10W)

Design by Arik Levy & Delta Light®
www.deltalight.com/butlerbyariklevy

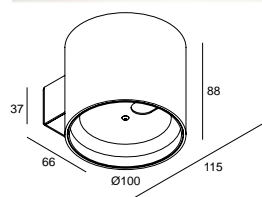
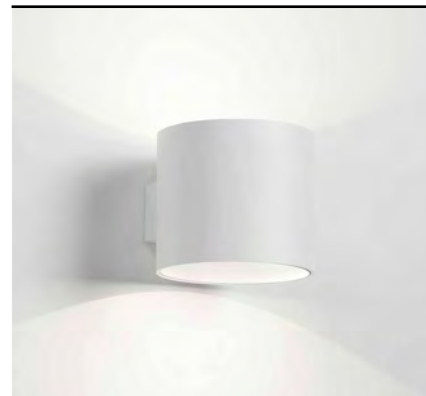


BUTLER W S ALU-B





Orbit LED



CRI > 90

3000K ●

2 x 292lm (3W)

ORBIT LED 930 DIM8 ◇

271 04 93 ED8 ◇

◇ = B-MMAT / W-W

2700K ●

2 x 281lm (3W)

ORBIT LED 927 DIM8 ◇

271 04 92 ED8 ◇

◇ = B-MMAT / W-W

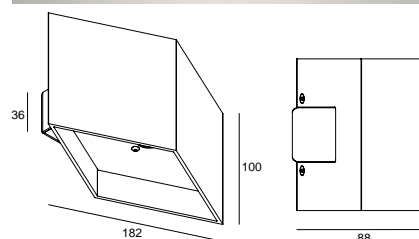
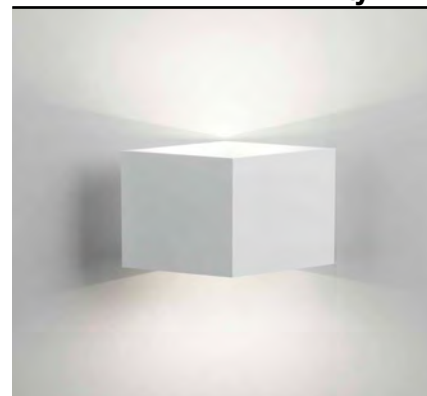
INCL.2 x POWERLED 3W
 INCL.DIMMABLE LED POWER SUPPLY 350mA-DC
 MAINS DIMMING (FE)
 220-240V / 0150-60Hz

□ CE 0,5 IP20





Fifty LED



CRI > 90

3000K ●

2 x 292lm (3W)

FIFTY LED 930 DIM8 ◇

278 77 93 ED8 ◇

◇ = B-MMAT / W-W

2700K ●

2 x 281lm (3W)

FIFTY LED 927 DIM8 ◇

278 77 92 ED8 ◇

◇ = B-MMAT / W-W

INCL. 2 x POWERLED 3W
 INCL. DIMMABLE LED POWER SUPPLY 350mA-DC
 MAINS DIMMING (FE)
 220-240V / 0/50-60Hz

□ CE 0,6 IP20



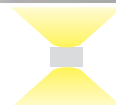
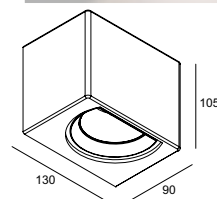
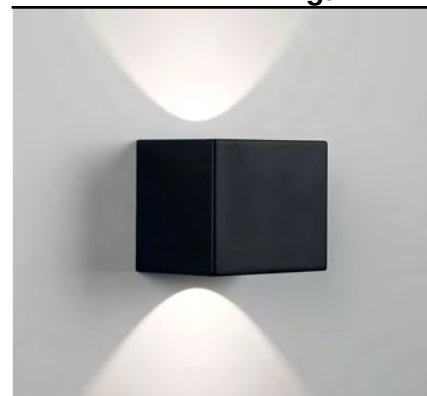
FULL INFO / PAG TEC

Accessories

TIGA V-PLATE ◊
223 753 01 ◊
 ◊ = B / W



Tiga In LED



CRI > 80

3000K ●

703lm (6,2W)

TIGA IN LED 830 DIM8 ◊
223 753 83 ED8 ◊
 ◊ = B-MMAT / W-W

2700K ●

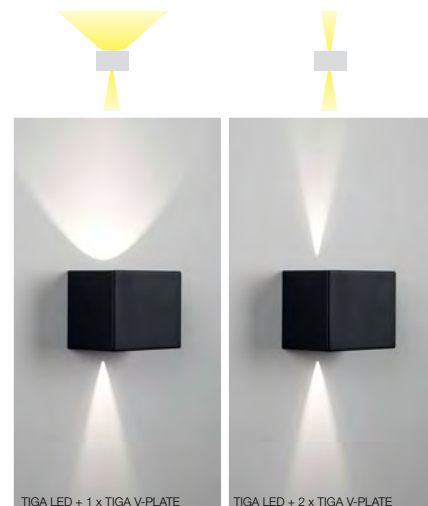
665lm (6,2W)

TIGA IN LED 827 DIM8 ◊
223 753 82 ED8 ◊
 ◊ = B-MMAT / W-W

INCL. 1 x POWERLED 6,2W
 INCL. DIMMABLE LED POWER SUPPLY 350mA-DC
 MAINS DIMMING (FE)
 220-240V / 50-60Hz

◊ CE 1,3 IP20

ACCESSORIES
 TIGA V-PLATE

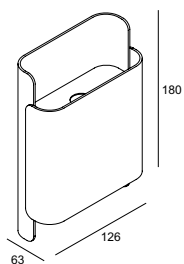




3000K ●

2700K ●

Want-it S



CRI > 90

2 x 292lm (3W)

WANT-IT S 930 DIM8 ◇
275 12 82 93 ED8 ◇
 ◇ = B-MMAT / W-W

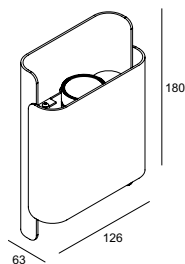
2 x 281lm (3W)

WANT-IT S 927 DIM8 ◇
275 12 82 92 ED8 ◇
 ◇ = B-MMAT / W-W

INCL. 2 x POWERLED 3W
 INCL. DIMMABLE LED POWER SUPPLY 350mA-DC
 MAINS DIMMING (FE)
 220-240V / 0/150-60Hz

□ CE 0,6 IP20

Want-it S X



CRI > 80

2 x 472lm (4,2W)

WANT-IT S X 830 ◇
275 14 82 83 ◇
 ◇ = W

2 x 446lm (4,2W)

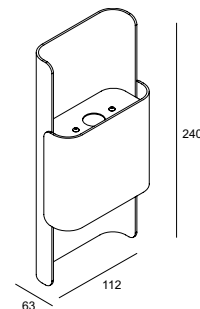
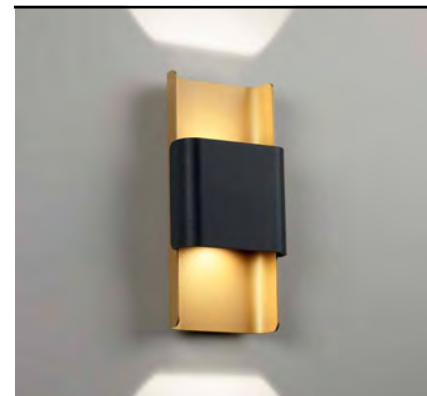
WANT-IT S X 827 ◇
275 14 82 82 ◇
 ◇ = W

INCL. 2 x POWERLED 4,2W
 INCL. LED POWER SUPPLY 240mA-DC
 110-240V / 50-60Hz

□ CE 0,6 IP55

IP55

Want-it L



CRI > 90

2 x 292lm (3W)

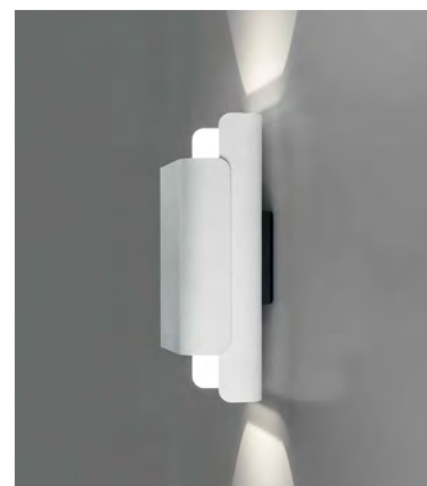
WANT-IT L 930 DIM8 ◇
275 13 82 93 ED8 ◇
 ◇ = B-MMAT / W-W

2 x 281lm (3W)

WANT-IT L 927 DIM8 ◇
275 13 82 92 ED8 ◇
 ◇ = B-MMAT / W-W

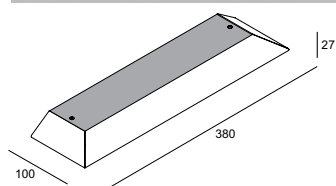
INCL. 2 x POWERLED 3W
 INCL. DIMMABLE LED POWER SUPPLY 350mA-DC
 MAINS DIMMING (FE)
 220-240V / 0/150-60Hz

□ CE 0,5 IP20


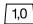




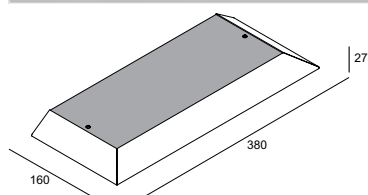
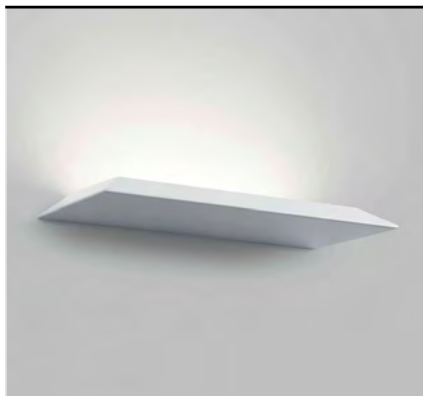
 **Wince 100**




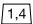
WINCE 100 ◇
275 12 101 ◇
 ◇ = W
 INCL.1 x LED CLUSTER 7,5W / 3000K ● / 980lm
 INCL.PC SBL UP
 INCL.LED POWER SUPPLY 350mA-DC
 220-240V / 50-60Hz

  IP20

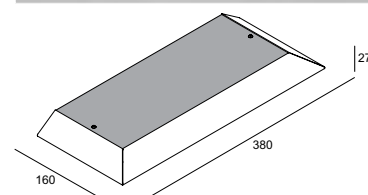
 **Wince 160**




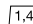
WINCE 160 ◇
275 12 161 ◇
 ◇ = W
 INCL.2 x LED CLUSTER 7,5W / 3000K ● / 980lm
 INCL.PC SBL UP
 INCL.LED POWER SUPPLY 350mA-DC
 220-240V / 50-60Hz

  IP20

 **Wince 160 Down-Up**



WINCE 160 DOWN-UP ◇
275 12 162 ◇
 ◇ = W
 INCL.2 x LED CLUSTER UP 7,5W / 3000K ● / 980lm
 INCL.PC SBL UP
 INCL.1 x POWERLED 6,2W / 3000K ● / 857lm
 INCL.LED POWER SUPPLY 350mA-DC
 220-240V / 50-60Hz

  IP20



INTERIOR EXTERIOR PROFILES

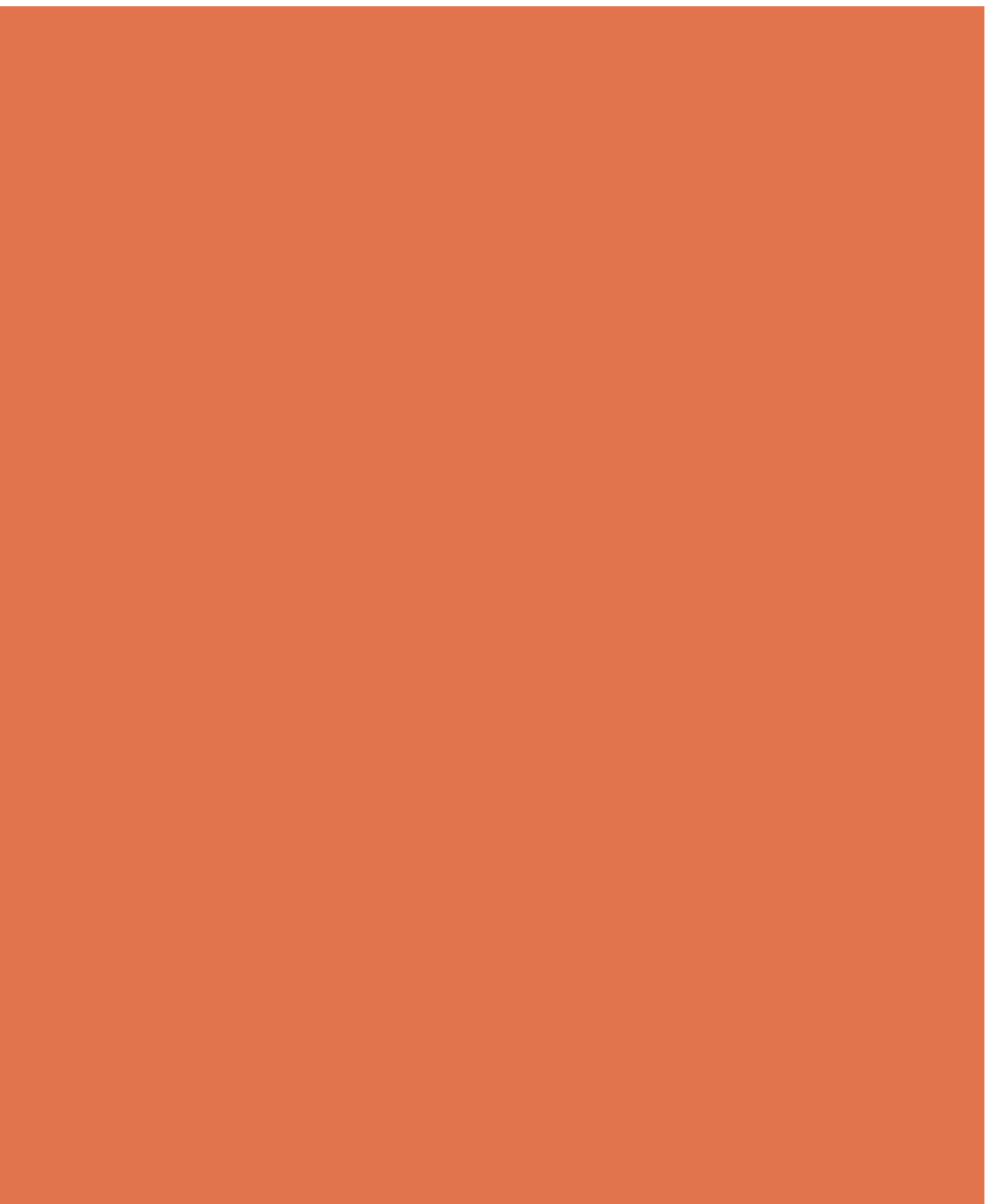
Production of made-to-measure profile systems has become a vital and distinctive element of the Delta Light® collection. The profile range includes various dimensions, diverse styles, different lamps and light modules, dimming and supply solutions, and a large number of accessories and combination options.

Suspended, recessed or surface mounted, either for wall, floor or ceiling, interior and exterior, Delta Light® is your one-stop supplier for all profile lighting systems.

The following range completes the Lighting Bible 11® profiles collection.

www.deltalight.com/IPR



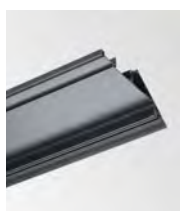


INDEX

PROFILES



SPLITLINE 16
PAG 68-73



SPLIT-IT PRO
PAG 74-91



SPLIT-IT ON
PAG 74-91



STREAMLINER
PAG 92-99



**ADDITION FOR
FEMTOLINE 35 / 35F**
PAG 100-101



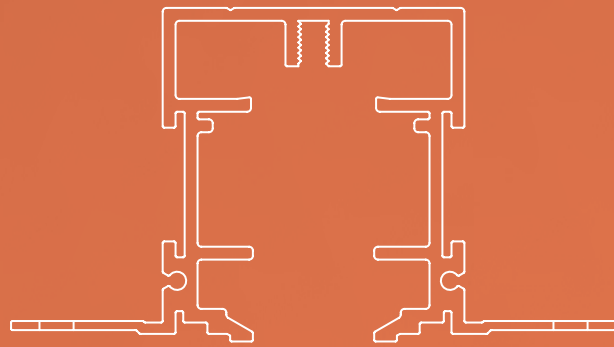
NAME	PAGE
ADDITION FOR FEMTOLINE 35 / 35F	100-101
SPLIT-IT ON	74-91
SPLIT-IT PRO	74-91
SPLITLINE 16	68-73
STREAMLINER	92-99

SPLITLINE 16

The Splitline16 is the newest addition to the made-to-measure Splitline collection. This extremely narrow and graphically refined profile effortlessly integrates with architecture, upgrading the uniqueness of the room. The new Microspy module further upgrades the architectural character of this profile

www.deltalight.com/splitline16







Splitline 16

PROFILE



SPL16 - PROFILE ◊

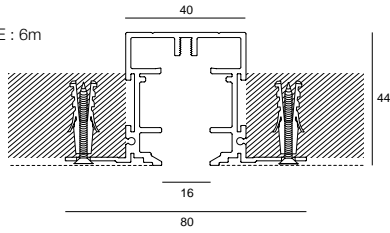
397 16 00 ◊

◊ = B

MAX.L / PROFILE : 6m

Kg / m

1,2



TOL EN12020-2



SPL16 PROFILE + LDL15 PROFILE

END CAP



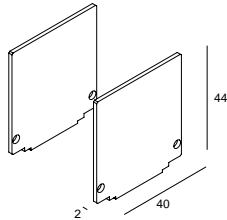
SPL16 - END CAP SET ◊

397 16 03 01 ◊

◊ = B

SET OF 2 PCS

0,1

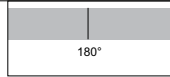


CORNER

SPL16 - CORNER 180°

397 16 06 01

0,3

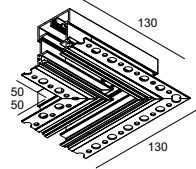


SPL16 - CORNER SET 90° ◊

397 16 06 16 ◊

◊ = B

0,4

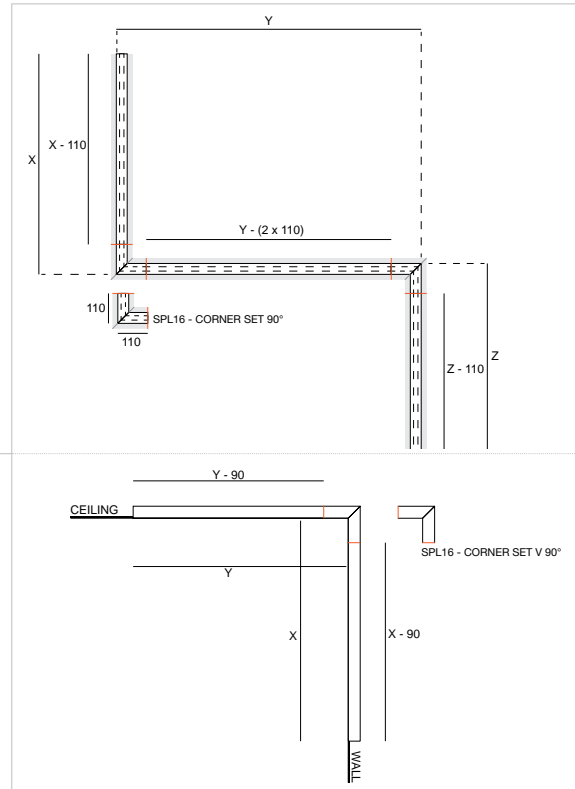
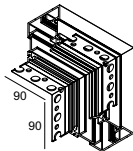


SPL16 - CORNER SET V 90° ◊

397 16 06 17 ◊

◊ = B

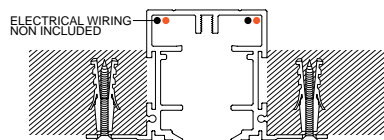
0,4



FIXATION

1 43 x (L + 6)

POSITION FOR INSTALLATION





Ledline 15


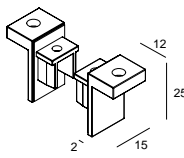


LDL15 - PROFILE ◇
397 15 00 ◇
 ◇ = B
 INCL. PC SBL
 INCL. FIXATION CLIPS
 MAX.L / PROFILE : 3m
 Kg / m




0,4

TOL EN12020-2

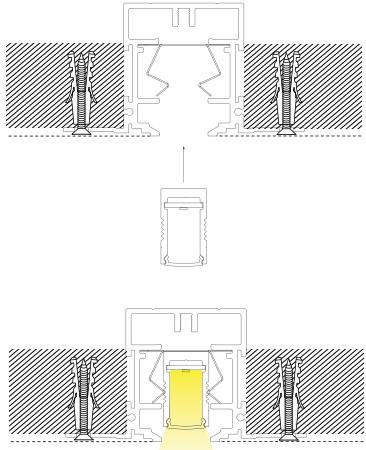



LDL15 - END CAP SET ◇
397 15 03 01 ◇
 ◇ = B
 SET OF 2 PCS

NO MODULE IN THIS AREA



0,2



SPL16 PROFILE + LDL15 PROFILE

Ledflex

5m - 24V-DC 0,3



White

RGB

Dividable per 100mm
60 smd LED/m

Dividable per 33,3mm
180 smd LED/m

Dividable per 167mm
30 smd LED/m

5W/m
360lm/m

15W/m
1000lm/m

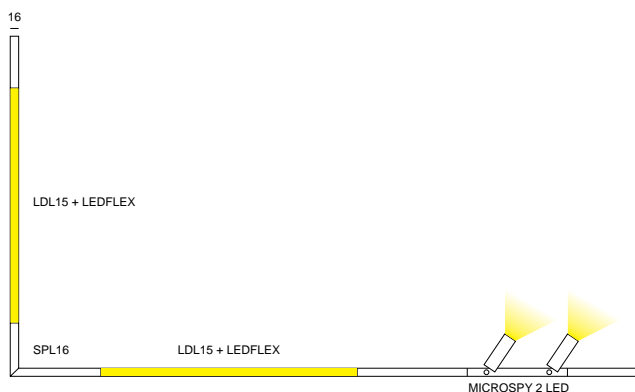
22W/m
1800lm/m

8W/m



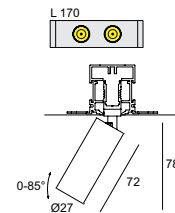
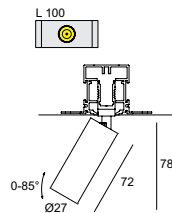
4000K ●	IN	LED FLEX IN NW 300 91 52 04	LED FLEX IN FP NW 300 91 53 04		
3000K ●	IN	LED FLEX IN WW 300 91 52 02	LED FLEX IN FP WW 300 91 53 02	LED FLEX IN HP WW 300 91 54 02	
2700K ●	IN	LED FLEX IN HW 300 91 52 03	LED FLEX IN FP HW 300 91 53 03	LED FLEX IN HP HW 300 91 54 03	
RGB	IN				LED FLEX IN RGB 300 91 52 33
FULL INFO / PAG TEC					
LED POWER SUPPLY 24V-DC / 20W 300 89 24 20	max.4 m	max.1 m	max.0,9 m	Ⓢ max.2,4 m	
LED POWER SUPPLY 24V-DC / 40W 300 89 24 40	max.8 m	max.2,5 m	max.1,83 m	Ⓢ max.5 m	
LED POWER SUPPLY 24V-DC / 60W 300 89 24 60	max.12 m	max.4 m (max.3m / Powerline)	max.2,76 m (max.3m / Powerline)	Ⓢ max.7,36 m	
LED POWER SUPPLY 24V-DC / 80W DIM1 300 89 24 80	max.16 m	max.5 m (max.3m / Powerline)	max.3,7 m (max.3m / Powerline)		
LED POWER SUPPLY 24V-DC / 150W 300 89 24 150	max.30 m	max.10 m (max.3m / Powerline)	max.6,9 m (max.3m / Powerline)	Ⓢ max.18,72 m	
LED POWER SUPPLY MULTI POWER DIM7 300 90 60	max.4 m	max.1 m	max.0,9 m		
LED POWER SUPPLY MULTI POWER DIM6 300 90 61	max.4 m	max.1 m	max.0,9 m		
RGB DRIVER 12/24V-DC 75/150W 300 90 331				Ⓢ use in combination with Led Power Supply 24V-DC	
RGB TOUCH CONTROLLER DMX 300 90 330				Ⓢ use in combination with RGB Driver	

DIM1: dimming by 1-10V
 DIM6: dimming by push button / falling edge dimmer
 DIM7: dimming by push button / 1-10V





SPLITLINE 16 - Microspy 27



CRI > 90

3000K	681lm (5,1W)	2 x 681lm (5,1W)
REFLECTOR FL-24°	SPL16 - MICROSPY 271 93024 ◊ 397 271 931 ◊ ◊ = B / W	SPL16 - MICROSPY 272 93024 ◊ 397 272 931 ◊ ◊ = B / W
2700K	614lm (5,1W)	2 x 614lm (5,1W)
REFLECTOR FL-24°	SPL16 - MICROSPY 271 92724 ◊ 397 271 921 ◊ ◊ = B / W	SPL16 - MICROSPY 272 92724 ◊ 397 272 921 ◊ ◊ = B / W
	ADJUSTABLE 0-85° / 350° INCL. 1 x POWERLED [H] 5,1W EXCL. LED POWER SUPPLY 300mA-DC ⊞ CE 0,1 IP20 OPTIONS LED POWER SUPPLY 300mA-DC	ADJUSTABLE 0-85° / 350° INCL. 2 x POWERLED [H] 5,1W EXCL. LED POWER SUPPLY 300mA-DC ⊞ CE 0,2 IP20 OPTIONS LED POWER SUPPLY 300mA-DC

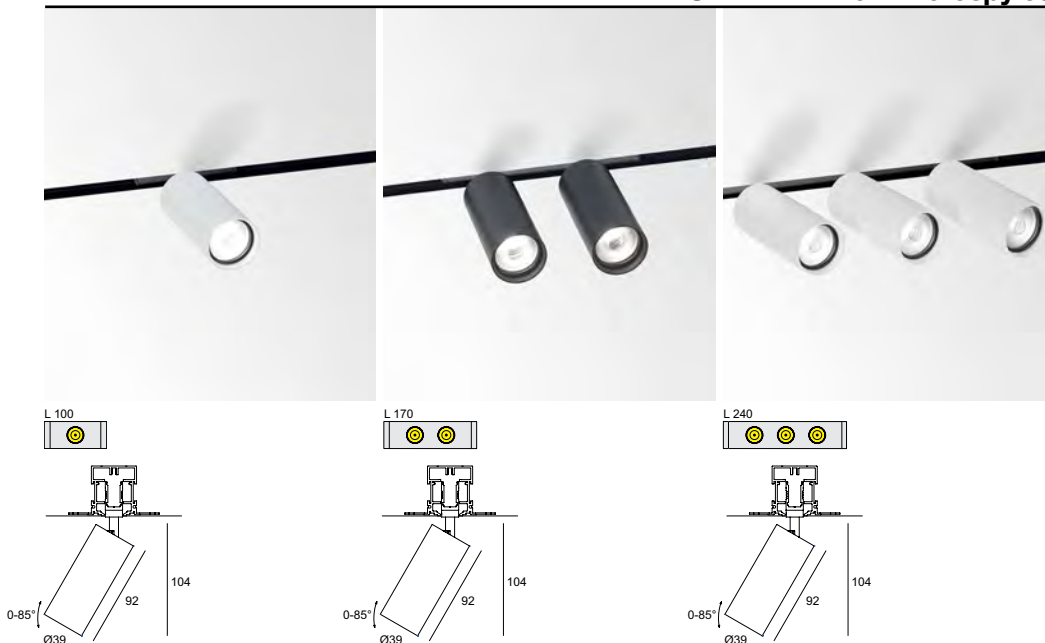
Options

			[H]
LED PS 300mA / 12W 300 90 30 ⊞ CE 0,1 IP20 λ>0,55		⏱ min. 38	Input 220-240V / 50-60Hz Output 300mA / 12W / 0-42V-DC
LED PS 300mA / 16W DIM5 300 90 32 ⊞ CE 0,2 IP20 λ>0,9		⏱ min. 55	Input 220-240V / 50/60Hz Output 300mA / 16W / 10-52V-DC
LED PS 300mA / 16W DIM7 300 90 31 ⊞ CE 0,2 IP20 λ>0,9		⏱ min. 55	Input 220-240V / 50/60Hz Output 300mA / 16W / 2-54V-DC

DIM5: DALI dimming
DIM7: dimming by push button / 1-10V



SPLITLINE 16 - Microspy 39



CRI > 90

	CRI > 90		
3000K ●	714lm (6,2W)	2 x 714lm (6,2W)	3 x 714lm (6,2W)
REFLECTOR FL-24°	SPL16 - MICROSPY 391 93024 ◇ 397 391 931 ◇ ◇ = B / W	SPL16 - MICROSPY 392 93024 ◇ 397 392 931 ◇ ◇ = B / W	SPL16 - MICROSPY 393 93024 ◇ 397 393 931 ◇ ◇ = B / W
2700K ●	698lm (6,2W)	2 x 698lm (6,2W)	3 x 698lm (6,2W)
REFLECTOR FL-24°	SPL16 - MICROSPY 391 92724 ◇ 397 391 921 ◇ ◇ = B / W	SPL16 - MICROSPY 392 92724 ◇ 397 392 921 ◇ ◇ = B / W	SPL16 - MICROSPY 393 92724 ◇ 397 393 921 ◇ ◇ = B / W
	ADJUSTABLE 0-85° / 350° INCL.1 x POWERLED [H] 6,2W EXCL.LED POWER SUPPLY 350mA-DC ⊞ CE 0,2 IP20 OPTIONS LED POWER SUPPLY 350mA-DC	ADJUSTABLE 0-85° / 350° INCL.2 x POWERLED [H] 6,2W EXCL.LED POWER SUPPLY 350mA-DC ⊞ CE 0,5 IP20 OPTIONS LED POWER SUPPLY 350mA-DC	ADJUSTABLE 0-85° / 350° INCL.3 x POWERLED [H] 6,2W EXCL.LED POWER SUPPLY 350mA-DC ⊞ CE 0,7 IP20 OPTIONS LED POWER SUPPLY 350mA-DC



FULL INFO / PAG TEC

Options

CONTROL GEAR
LED POWER SUPPLY
ALL INFO ON FOLD-OUT COVER



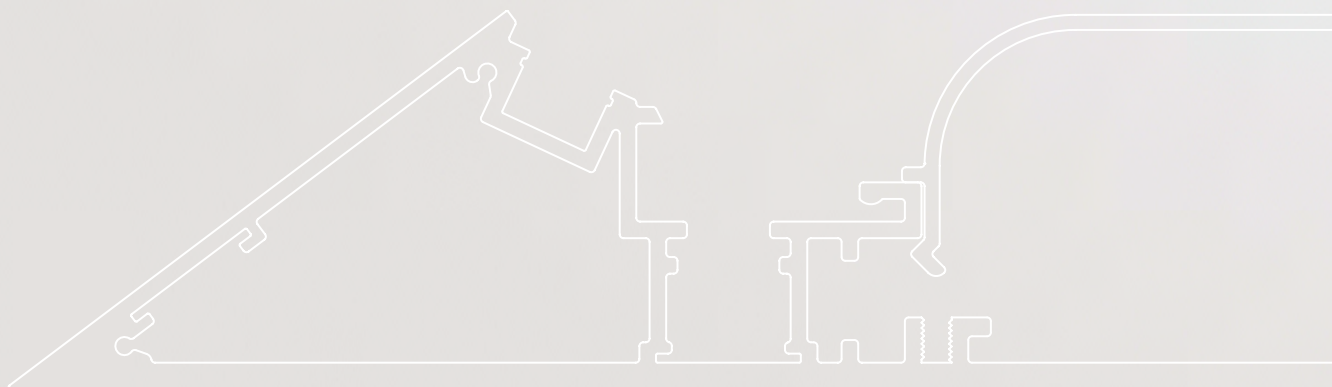
SPLIT-IT PRO SPLIT-IT ON

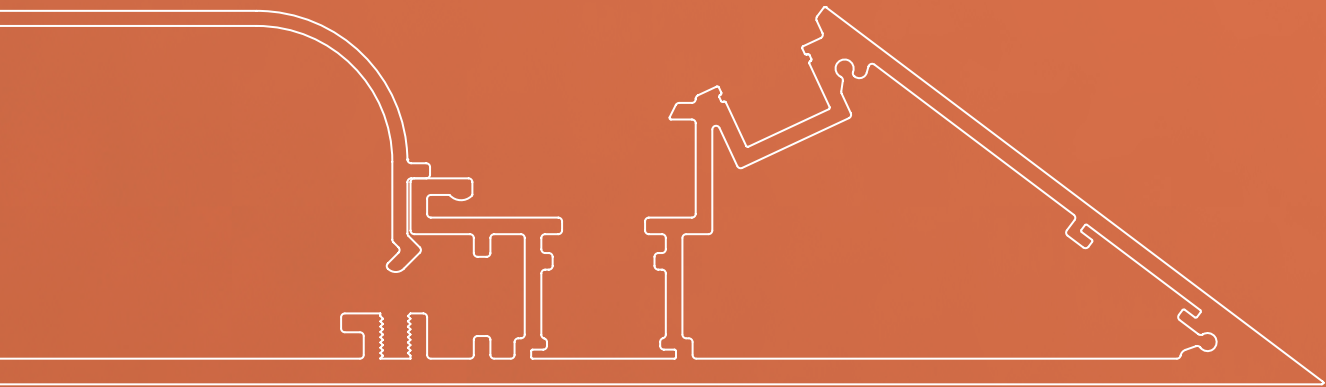
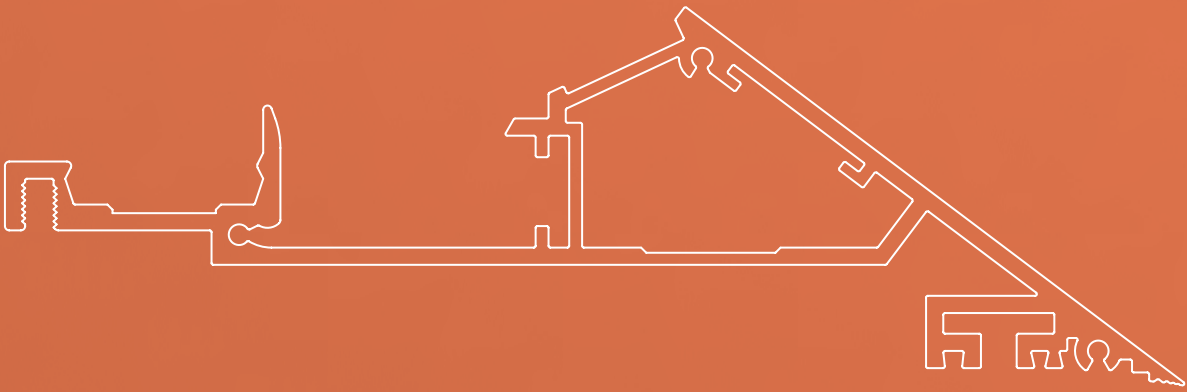
In this New Collection catalogue we take our made-to-measure Split-it profile to the next level. The recessed version has been re-designed, expanding the installation options and offering you more illumination tools.

Split-it On is a brand-new made-to-measure profile for surface mounted application. It combines the extreme versatility of the recessed version, adding extra flexibility with the miniature Split-it On downlight module.

Get inspired on different applications in our Virtual Reality spaces:
www.deltalight.com/vr

www.deltalight.com/split-it-on
www.deltalight.com/split-it-pro





SPLIT-IT PRO SPLIT-IT ON

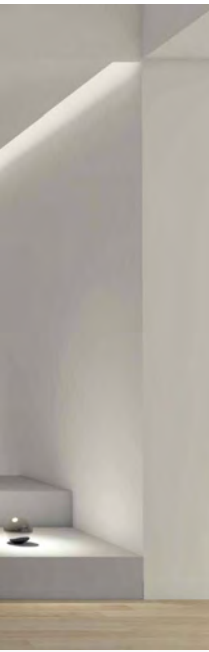
With its linear geometry both new Split-it profiles enable you to define spaces and create volumes, to show direction, frame the room and add sharp edged detail to your architecture. Both can be combined with a multitude of spots available for specific and demanding lighting needs. Ranging from 800lm to 2900lm, beams ranging from 11° up to 57° and different light sources. All tools are available to meet the specific needs of your project

The new **Split-it On** is a brand-new made-to-measure profile for surface mounted application. It combines the extreme versatility of the recessed version, adding extra flexibility with the miniature Split-it On downlight module. Two fixation options are available – direct fixation or suspension cables – to customize the position of the profile. Perfect to create continuous planes of light in spaces with changing ceiling heights.

To discover more visit our website
www.deltalight.com/split-it-on
www.deltalight.com/split-it-pro

Get inspired on different applications in our Virtual Reality spaces:
www.deltalight.com/vr





The new **Split-it PRO** enables integration of edgeless lighting paths, either vertically or horizontally. Its 37° degree sharp edge gives walls and ceilings a 'paper-thin' appearance, with no visible wires and no shadow gaps, upgrading the level of architectural detail. It offers not only new ways to give shape to any lighting need, it also gives the possibility to integrate other engineering and technological necessities.

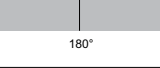
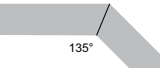
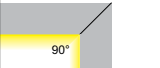
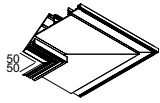
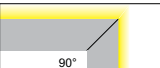
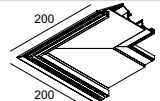

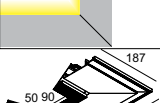

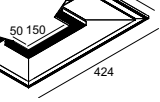
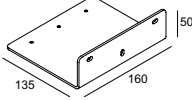
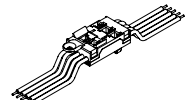


This surface mounted version opens up a new world of lighting scenarios for spaces with demanding lighting needs and ceiling limitations. Be it retail, meeting rooms, circulation areas, public buildings or other, the **Split-it On** caters for any lighting scenario you have in mind, without compromising the elegance and style of your project.

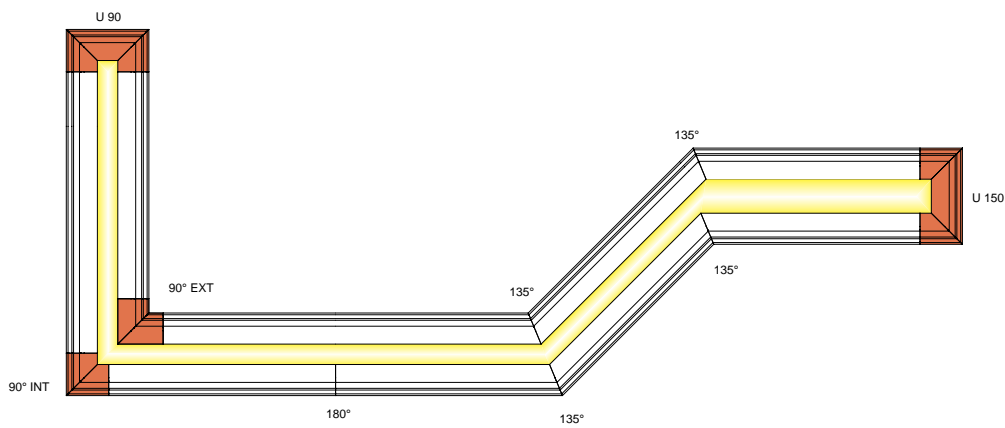


Split-it PRO

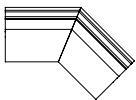
PROFILE	 <p>SPT PRO - PROFILE ◇ 372 01 00 ◇ ◇ = B / W MAX.L / PROFILE : 6m Kg / m</p> <p>1,7</p>  <p>TOL EN12020-2</p>
----------------	--

CORNER	<p>SPT PRO - CORNER 180° 372 01 06 11 0,3</p> 
	<p>SPT PRO - CORNER 135° 372 01 06 05 0,3</p> 
	<p>SPT PRO - CORNER SET 90° INT ◇ 372 01 06 06 ◇ ◇ = B / W 0,5</p>  
	<p>SPT PRO - CORNER SET 90° EXT ◇ 372 01 06 16 ◇ ◇ = B / W 0,5</p>  
	<p>SPT PRO - CORNER SET U 90 ◇ 372 01 06 090 ◇ ◇ = B / W 0,9</p>  
	<p>SPT PRO - CORNER SET U 150 ◇ 372 01 06 150 ◇ ◇ = B / W 1,1</p>  
WALL FIXATION	<p>SPT PRO - WALL FIXATION 372 01 06 10 0,2</p> 
CURRENT SUPPLY	<p>THROUGH WIRING 48V-DC 416 99 00 (EQUALS 1m) INCL.1 CONNECTOR / 30cm INCL.5 WIRES: -48V / +48V / +48V (2 CIRCUITS) 1-10V DIMMING</p> 

Split-it PRO Composition



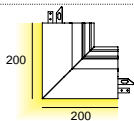
SPT PRO - CORNER 180°



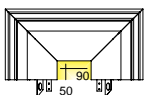
SPT PRO - CORNER 135°



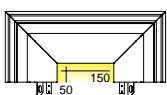
SPT PRO - CORNER SET 90° INT



SPT PRO - CORNER SET 90° EXT

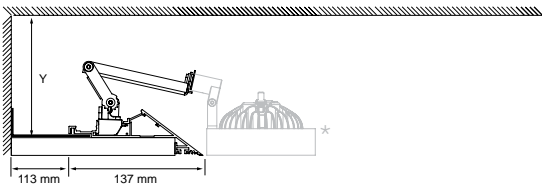
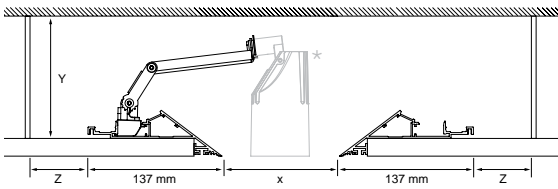
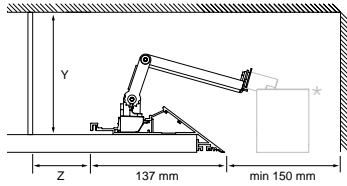
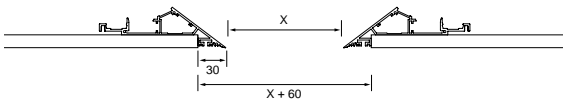


SPT PRO - CORNER SET U 90



SPT PRO - CORNER SET U 150

Split-it PRO Construction



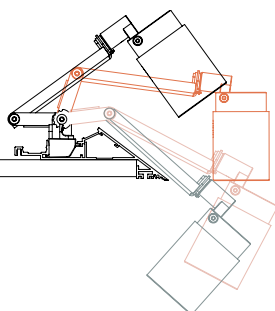
*SPLIT-IT MODULE AS EXAMPLE

ADVISED MINIMUM MEASUREMENTS

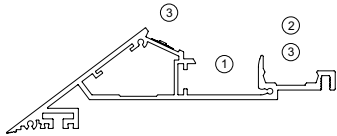
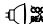

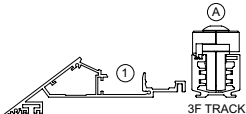
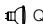




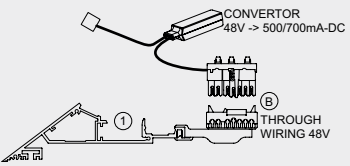



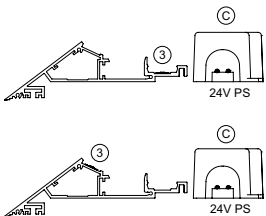

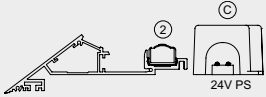
MODULES	X	Y	WIRING / POWER SUPPLY	Z
SPLIT-IT RB50	90	250		
SPLIT-IT RB50 Hi	90	250	THROUGH WIRING	70
SPLIT-IT RB111	150	280	3F-TRACK	50
SPLIT-IT SPY	90	250	24V PS	60
SPLIT-IT PINTOR 63	90	250	THROUGH WIRING + 24V PS	110
SPLIT-IT PINTOR 90	150	280		
LED FLEX	90	200	3F TRACK + 24V PS	100
SPLIT-IT PRO LED LINE	90	200		

p

TOOL FREE



Split-it PRO Overview

			
PROFILE	240V	48V	24V
THROUGH WIRING	<p>(A) OPTIONAL 3F TRACK</p>	<p>(B) THROUGH WIRING 48V-DC 416 99 00 INCL. 1 CONNECTOR / 30cm INCL. 5 WIRES: -48V / +48V / +48V (2 CIRCUITS) 1-10V DIMMING</p>	-
POWER SUPPLY	-	<p>LED POWER SUPPLY 48V-DC + LED CONVERTOR 48V-DC -> CURRENT CONTROLLED FULL INFO PAG TEC 23</p>	<p>(C) LED POWER SUPPLY 24V FULL INFO PAG TEC 18</p>
MODULES	POSITION	POSITION	POSITION
<p>SPLIT-IT RB50  QR-C51  LED SOLUTION</p>			
<p>SPLIT-IT RB50 HI  QPAR51  LED SOLUTION</p>			
<p>SPLIT-IT RB111  QR-LP111  LED SOLUTION</p>			
<p> SPLIT-IT SPY max. 939lm (9,3W)</p>			
<p> SPLIT-IT PINTOR 63 max. 939lm (9,3W)</p>			
<p> SPLIT-IT PINTOR 90 max. 2810lm (25W)</p>			
<p> LED FLEX max. 1800lm / m 22W / m</p>			
<p> SPLIT-IT PRO LED LINE max. 1600lm / m 12W / m</p>			





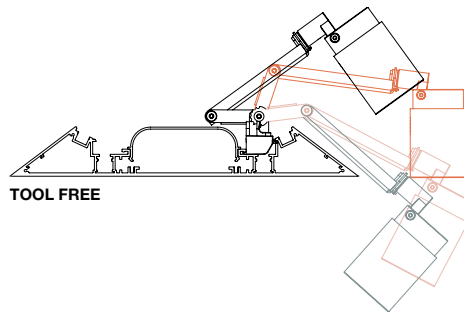
Split-it ON

PROFILE

SPT ON - PROFILE ◇
379 00 00 ◇
 ◇ = ANO / B / W
 INCL.PC COVER B
 MAX.L / PROFILE : 6m
 Kg / m

[6,3]

TOL EN12020-2



PROFILE

THROUGH WIRING

POWER SUPPLY

MODULES

SPLIT-IT RB50
 QR-C51
 LED SOLUTION

SPLIT-IT RB50 HI
 QPAR51
 LED SOLUTION

SPLIT-IT RB111
 QR-LP111
 LED SOLUTION

SPLIT-IT SPY
 max. 939lm (9,3W)

SPLIT-IT PINTOR 63
 max. 939lm (9,3W)

SPLIT-IT PINTOR 90
 max. 2810lm (25W)

LED FLEX
 max. 1800lm / m
 22W / m

END CAP

SPT ON - END CAP ◇
379 03 01 ◇
 ◇ = ANO / B / W

[0,3]

CORNER

SPT ON - CORNER 180°
379 06 01

[0,3]

FIXATION

SPT ON - DIRECT FIXATION ◇
379 12 00 ◇
 ◇ = B

[0,1]

SUSPENSION 21 SINGLE 1,6
379 20 21
 L 1,6m

SUSPENSION 21 SINGLE 6,0
379 20 26
 L 6,0m

[0,1]

CURRENT SUPPLY

CURRENT SUPPLY

L 1,6m / 3 x 0,75mm ²	351 98 51
L 6,0m / 3 x 0,75mm ²	351 98 56
L 1,6m / 5 x 0,75mm ²	351 99 51
L 6,0m / 5 x 0,75mm ²	351 99 56 [0,3]

OPTIONS
 CABLE BASE R/S
 COVERSET R 62-90-100 / S 62-80-90

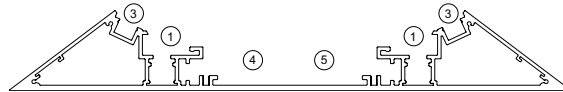
203 99 55 ◇
 ◇ = ANO / B / W

203 99 56 ◇
 ◇ = ANO / B / W

[0,1]

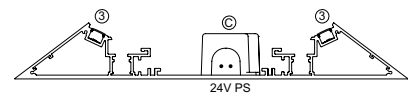
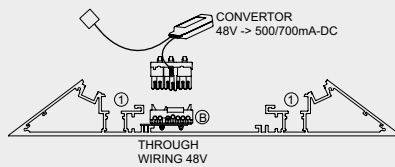
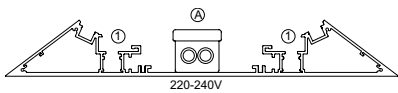
THROUGH WIRING 48V-DC
416 99 00 (EQUALS 1m)
 INCL.1 CONNECTOR / 30cm
 INCL.5 WIRES:
 -48V / +48V / +48V (2 CIRCUITS)
 1-10V DIMMING

Split-it ON Overview



240V	48V	24V
<p>Ⓐ</p> <p>CONNECTION BOX (NOT SUPPLIED)</p>	<p>Ⓑ</p> <p>THROUGH WIRING 48V-DC 416 99 00 INCL.1 CONNECTOR / 30cm INCL.5 WIRES: -48V / +48V / +48V (2 CIRCUITS) 1-10V DIMMING</p>	-
-	<p>LED POWER SUPPLY 48V-DC + LED CONVERTOR 48V-DC-> CURRENT CONTROLLED FULL INFO PAG TEC 23</p>	<p>Ⓒ</p> <p>LED POWER SUPPLY 24V FULL INFO PAG TEC 18</p>

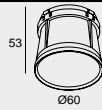
POSITION POSITION POSITION



FULL INFO / PAG TEC

Requirements

SPY TUBE ◇
414 01 00 ◇
 ◇ = B / MMAT / **SG** / W



THROUGH WIRING
416 99 00

CONTROL GEAR



LED POWER SUPPLY 184 x 63 x 40
48V / 90W
300 89 48 90

LED POWER SUPPLY 100 x 55 x 90
48V / 100W
300 89 48 100

LED POWER SUPPLY 240 x 60 x 49
48V / 150W
300 89 48 150

LED POWER SUPPLY 114 x 63 x 125
48V / 240W
300 89 48 240

CONVERTOR 90 x 22 x 17
48V-DC-> 500mA / 22W DIM1
300 48 500 ED1

FULL INFO / PAG TEC

Options

CONTROL GEAR



TRACK 3F* / TRACK 3F DIM*
ALL INFO PAG INT 598-599 THE LIGHTING BIBLE® 11

TRACK 3F ADAPTOR
200 01 99



TRACK 3F DIM ADAPTOR
200 01 99 DIM

FULL INFO / PAG TEC

Accessories

HONEYCOMB 50 ◇ Ø50
413 03 01 ◇
 ◇ = B



LINEAR SPREAD LENS 50 Ø50
413 03 02



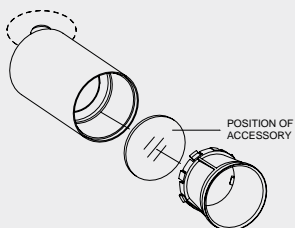
SPREAD LENS 50 Ø50
413 03 03



SOFTENING LENS 50 Ø50
413 03 04



GLASS SBL 50 Ø50
413 03 05



SPY TUBE B SPY TUBE MMAT SPY TUBE SG SPY TUBE W

led Split-it ON Downlight



L 130



CRI > 80

3000K ● 525lm (6W)
 LENS FL-20° **SPT ON DOWN - 1 LED 83020** ◇
379 61 832 ◇
 ◇ = B

2700K ● 525lm (6W)
 LENS FL-20° **SPT ON DOWN - 1 LED 82720** ◇
379 61 822 ◇
 ◇ = B

FIXED
 INCL. 1 x POWERLED 6W
 INCL. LED POWER SUPPLY 500mA-DC
 220-240V / 50-60Hz

◇ CE 0.6 IP20

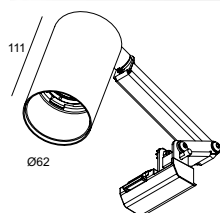
led Split-it Spy



SPLIT-IT SPY / SPT PRO



SPLIT-IT SPY / SPT ON



GRI > 90

3000K ●

960lm (9,3W)

REFLECTOR SP-18°

SPLIT-IT SPY 93018 ◇
416 371 81931 ◇
◇ = B / W

REFLECTOR FL-33°

SPLIT-IT SPY 93033 ◇
416 371 81932 ◇
◇ = B / W

2700K ●

939lm (9,3W)

REFLECTOR SP-18°

SPLIT-IT SPY 92718 ◇
416 371 81921 ◇
◇ = B / W

REFLECTOR FL-33°

SPLIT-IT SPY 92733 ◇
416 371 81922 ◇
◇ = B / W

ADJUSTABLE
INCL. 1 x POWERLED 9,3W
EXCL. CONVERTOR 48VDC-> 500mA-DC

◇ CE [0,5] IP20

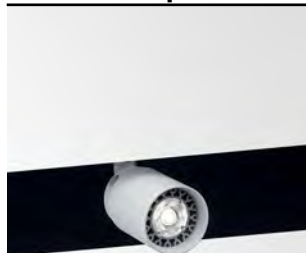
REQUIREMENTS

SPY TUBE
THROUGH WIRING
LED POWER SUPPLY 48V-DC
CONVERTOR 48V-DC-> 500mA-DC DIM1

ACCESSORIES

HONEYCOMB 50
LINEAR SPREAD LENS 50
SPREAD LENS 50
SOFTENING LENS 50
GLASS SBL 50

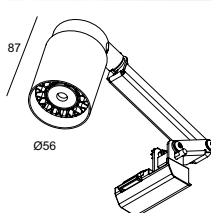
Split-it RB50



SPLIT-IT 50 / SPT PRO



SPLIT-IT 50 / SPT ON



SPLIT-IT RB50 ◇

416 60 00 ◇
◇ = B / W
ADJUSTABLE
GU5.3 / 220-240V / 50-60Hz / TE
1 x QR-C51 max.35W

◇ CE [0,4] IP20 [0,5]

OPTIONS

TRACK 3F
TRACK 3F ADAPTOR
led LED SOLUTION - PAG TEC 4-5

ACCESSORIES (max.20W)
HONEYCOMB 50
LINEAR SPREAD LENS 50
SPREAD LENS 50
SOFTENING LENS 50
GLASS SBL 50

SPLIT-IT RB50 Hi ◇

416 61 00 ◇
◇ = B / W
ADJUSTABLE
GU10 / 100-240V / 50-60Hz
1 x QPAR51 max.35W

◇ CE [0,4] IP20 [0,5]

OPTIONS

TRACK 3F
TRACK 3F ADAPTOR
led LED SOLUTION - PAG TEC 4-5

ACCESSORIES (max.20W)
HONEYCOMB 50
LINEAR SPREAD LENS 50
SPREAD LENS 50
SOFTENING LENS 50
GLASS SBL 50

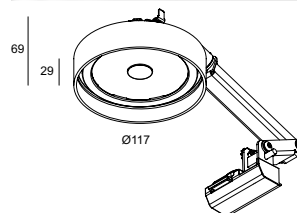
Split-it RB111



SPLIT-IT RB111 / SPT PRO



SPLIT-IT RB111 / SPT ON



SPLIT-IT RB111 ◇

416 61 231 ◇
◇ = B / W
ADJUSTABLE
G53 / 220-240V / 50-60Hz / TE
1 x QR-LP111 max.50W

◇ CE [0,3] IP20 [1,0]

OPTIONS

TRACK 3F
TRACK 3F ADAPTOR
led LED SOLUTION - PAG TEC 4-5

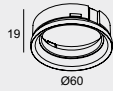


FULL INFO / PAG TEC

Requirements

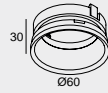
PINTOR 63 XR TUBE ◇

414 07 00 ◇
◇ = B / MMAT / SG / W



SPY TUBE S ◇

414 02 00 ◇
◇ = B / MMAT / **SG** / W



THROUGH WIRING
416 99 00

CONTROL GEAR



LED POWER SUPPLY 184 x 63 x 40
48V / 90W
300 89 48 90

LED POWER SUPPLY 100 x 55 x 90
48V / 100W
300 89 48 100

LED POWER SUPPLY 240 x 60 x 49
48V / 150W
300 89 48 150

LED POWER SUPPLY 114 x 63 x 125
48V / 240W
300 89 48 240

CONVERTOR 90 x 22 x 17
48V-DC-> 500mA / 22W DIM1
300 48 500 ED1

CONVERTOR 90 x 22 x 17
48V-DC-> 700mA / 25W DIM1
300 48 700 ED1

FULL INFO / PAG TEC

Options

CONTROL GEAR



TRACK 3F² / TRACK 3F DIM¹
ALL INFO PAG INT 598-599 THE LIGHTING BIBLE® 11

TRACK 3F ADAPTOR
200 01 99



TRACK 3F DIM ADAPTOR
200 01 99 DIM

*TRACK 3F ONLY FOR SPL-PRO - PROFILE

FULL INFO / PAG TEC

Accessories

HONEYCOMB 50 ◇ Ø50
413 03 01 ◇
◇ = B



LINEAR SPREAD LENS 50 Ø50
413 03 02



SPREAD LENS 50 Ø50
413 03 03



SOFTENING LENS 50 Ø50
413 03 04



GLASS SBL 50 Ø50
413 03 05



POSITION OF ACCESSORY



TUBE



INFO SOFT DIM
PAG TEC 9

CRI > 80

2700-1800K

850lm (10W)

REFLECTOR FL-40°

SPLIT-IT PINTOR 63 SOFT DIM5 ◇

416 63 28120 ED5 ◇

◇ = B / W
DIMMING BY DALI

SPLIT-IT PINTOR 63 SOFT DIM8 ◇

416 63 28120 ED8 ◇

◇ = B / W
MAINS DIMMING (FE)

ADJUSTABLE 0°-30° / 355°
INCL. 1 x POWERLED 10W
INCL. DIMMABLE LED POWER SUPPLY 650mA-DC
220-240V / 50-60Hz

□ CE 0.7 IP20

REQUIREMENTS
SPY TUBE S

OPTIONS
TRACK 3F
TRACK 3F ADAPTOR
TRACK 3F DIM
TRACK 3F DIM ADAPTOR

4000K ●

3000K ●

REFLECTOR SP-16°

REFLECTOR SP-18°

REFLECTOR FL-33°

REFLECTOR WFL-43°

REFLECTOR WFL-55°

2700K ●

REFLECTOR SP-16°

REFLECTOR SP-18°

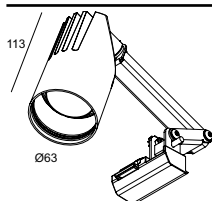
REFLECTOR FL-33°

REFLECTOR WFL-43°

REFLECTOR WFL-55°



Split-it Pintor 63



SPLIT-IT PINTOR 63 / SPT PRO



SPLIT-IT PINTOR 63 / SPT ON

CRI > 90 (> 97 ON REQUEST)

CRI > 95

CRI > 95

CRI > 90 (> 97 ON REQUEST)	CRI > 95	CRI > 95
960lm (9,3W) 1240lm (13,3W)	ON REQUEST 700lm (10,9W)	ON REQUEST 965lm (10,9W)
SPLIT-IT PINTOR 63 BR 93018 ◊ 416 63 81931 ◊ ◊ = B / W	SPLIT-IT PINTOR 63 XR 09 93016 ◊ 416 63 13 931 ◊ ◊ = B / W	
SPLIT-IT PINTOR 63 BR 93033 ◊ 416 63 81932 ◊ ◊ = B / W	SPLIT-IT PINTOR 63 XR 09 93033 ◊ * 416 63 13 932 ◊ ◊ = B / W	
		SPLIT-IT PINTOR 63 XR 19 93043 ◊ ** 416 63 13 933 ◊ ◊ = B / W
		SPLIT-IT PINTOR 63 XR 19 93055 ◊ 416 63 13 934 ◊ ◊ = B / W
939lm (9,3W) 1212lm (13,3W)	700lm (10,9W)	965lm (10,9W)
SPLIT-IT PINTOR 63 BR 92718 ◊ 416 63 81921 ◊ ◊ = B / W	SPLIT-IT PINTOR 63 XR 09 92716 ◊ 416 63 13 921 ◊ ◊ = B / W	
SPLIT-IT PINTOR 63 BR 92733 ◊ 416 63 81922 ◊ ◊ = B / W	SPLIT-IT PINTOR 63 XR 09 92733 ◊ * 416 63 13 922 ◊ ◊ = B / W	
		SPLIT-IT PINTOR 63 XR 19 92743 ◊ * 416 63 13 923 ◊ ◊ = B / W
		SPLIT-IT PINTOR 63 XR 19 92755 ◊ 416 63 13 924 ◊ ◊ = B / W
ADJUSTABLE INCL. 1 x POWERLED 9,3-13,3W EXCL. CONVERTOR 48V-DC-> 500-700mA-DC ◊ ◊ CE [0,6] IP20 REQUIREMENTS SPY TUBE S THROUGH WIRING LED POWER SUPPLY 48V-DC CONVERTOR 48V-DC-> 500-700mA-DC DIM1 ACCESSORIES HONEYCOMB 50 LINEAR SPREAD LENS 50 SPREAD LENS 50 SOFTENING LENS 50 GLASS SBL 50	ADJUSTABLE INCL. 1 x POWERLED XICATO ARTIST 10,9W EXCL. CONVERTOR 48V-DC-> 500mA-DC ◊ ◊ CE [0,6] IP20 REQUIREMENTS PINTOR 63 XR TUBE THROUGH WIRING LED POWER SUPPLY 48V-DC CONVERTOR 48V-DC-> 500mA-DC DIM1 ACCESSORIES HONEYCOMB 50 LINEAR SPREAD LENS 50 SPREAD LENS 50 SOFTENING LENS 50 GLASS SBL 50	ADJUSTABLE INCL. 1 x POWERLED XICATO ARTIST 10,9W EXCL. CONVERTOR 48V-DC-> 500mA-DC ◊ ◊ CE [0,6] IP20 REQUIREMENTS PINTOR 63 XR TUBE THROUGH WIRING LED POWER SUPPLY 48V-DC CONVERTOR 48V-DC-> 500mA-DC DIM1 ACCESSORIES HONEYCOMB 50 LINEAR SPREAD LENS 50 SPREAD LENS 50 SOFTENING LENS 50 GLASS SBL 50

* SOFTENING LENS 50 RECOMMENDED

* SOFTENING LENS 50 RECOMMENDED



FULL INFO / PAG TEC

Requirements

INSTALLATION



PINTOR 90 TUBE ◇
414 06 00 ◇
 ◇ = B / MMAT / SG / W



THROUGH WIRING
416 99 00

CONTROL GEAR



LED POWER SUPPLY 184 x 63 x 40
48V / 90W
300 89 48 90

LED POWER SUPPLY 100 x 55 x 90
48V / 100W
300 89 48 100

LED POWER SUPPLY 240 x 60 x 49
48V / 150W
300 89 48 150

LED POWER SUPPLY 114 x 63 x 125
48V / 240W
300 89 48 240

CONVERTOR 90 x 22 x 17
48V-DC-> 500mA / 22W DIM1
300 48 500 ED1

CONVERTOR 90 x 22 x 17
48V-DC-> 700mA / 25W DIM1
300 48 700 ED1

FULL INFO / PAG TEC

Accessories



HONEYCOMB 78 ◇
201 02 01 ◇
 ◇ = B

Ø78



SOFTENING LENS 78
201 02 04

Ø78



GLASS SBL 78
201 02 05

Ø78



POSITION OF ACCESSORY



TUBE

4000K ●

3000K ●

REFLECTOR SP-11°

REFLECTOR SP-20°

REFLECTOR FL-24°

REFLECTOR FL-35°

REFLECTOR WFL-42°

REFLECTOR WFL-57°

2700K ●

REFLECTOR SP-11°

REFLECTOR SP-20°

REFLECTOR FL-24°

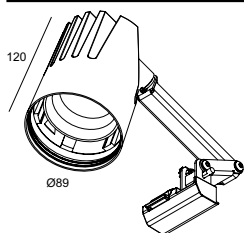
REFLECTOR FL-35°

REFLECTOR WFL-42°

REFLECTOR WFL-57°



Split-it Pintor 90



SPLIT-IT PINTOR 90 / SPT PRO



SPLIT-IT PINTOR 90 / SPT ON

CRI > 90 (> 97 ON REQUEST)

CRI > 95

CRI > 95

ON REQUEST

2160lm (18W)
2900lm (25W)

ON REQUEST

800lm (13,6W)
1110lm (19,5W)

ON REQUEST

1055lm (12W)
1400lm (17W)

SPLIT-IT PINTOR 90 BR 93020 ◇
416 90 21 931 ◇
◇ = B / W

SPLIT-IT PINTOR 90 XR 09 93011 ◇
416 90 20 931 ◇
◇ = B / W

SPLIT-IT PINTOR 90 BR 93035 ◇
416 90 21 932 ◇
◇ = B / W

SPLIT-IT PINTOR 90 XR 09 93024 ◇ *
416 90 20 932 ◇
◇ = B / W

SPLIT-IT PINTOR 90 XR 19 93042 ◇
416 90 20 933 ◇
◇ = B / W

SPLIT-IT PINTOR 90 XR 19 93057 ◇
416 90 20 934 ◇
◇ = B / W

2094lm (18W)
2810lm (25W)

800lm (13,6W)
1110lm (19,5W)

1055lm (12W)
1400lm (17W)

SPLIT-IT PINTOR 90 BR 92720 ◇
416 90 21 921 ◇
◇ = B / W

SPLIT-IT PINTOR 90 XR 09 92711 ◇
416 90 20 921 ◇
◇ = B / W

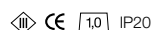
SPLIT-IT PINTOR 90 BR 92735 ◇
416 90 21 922 ◇
◇ = B / W

SPLIT-IT PINTOR 90 XR 09 92724 ◇ *
416 90 20 922 ◇
◇ = B / W

SPLIT-IT PINTOR 90 XR 19 92742 ◇
416 90 20 923 ◇
◇ = B / W

SPLIT-IT PINTOR 90 XR 19 92757 ◇
416 90 20 924 ◇
◇ = B / W

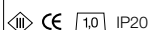
ADJUSTABLE
INCL.1 x POWERLED 18-25W
EXCL.CONVERTOR 48V-DC-> 500-700mA-DC



REQUIREMENTS
PINTOR 90 TUBE
THROUGH WIRING
LED POWER SUPPLY 48V-DC
CONVERTOR 48V-DC-> 500-700mA-DC DIM1

ACCESSORIES
HONEYCOMB 78
SOFTENING LENS 78
GLASS SBL 78

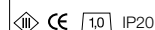
ADJUSTABLE
INCL.1 x POWERLED XICATO ARTIST 13,6-19,5W
EXCL.CONVERTOR 48V-DC-> 500-700mA-DC



REQUIREMENTS
PINTOR 90 TUBE
THROUGH WIRING
LED POWER SUPPLY 48V-DC
CONVERTOR 48V-DC-> 500-700mA-DC DIM1

ACCESSORIES
HONEYCOMB 78
SOFTENING LENS 78
GLASS SBL 78

ADJUSTABLE
INCL.1 x POWERLED XICATO ARTIST 12-17W
EXCL.CONVERTOR 48V-DC-> 500-700mA-DC



REQUIREMENTS
PINTOR 90 TUBE
THROUGH WIRING
LED POWER SUPPLY 48V-DC
CONVERTOR 48V-DC-> 500-700mA-DC DIM1

ACCESSORIES
HONEYCOMB 78
SOFTENING LENS 78
GLASS SBL 78

* SOFTENING LENS 78 RECOMMENDED



Split-it PRO LED Line

SPT PRO - LED LINE 1 830
300 94 017 83
 L 168mm - 270lm - 2W

SPT PRO - LED LINE 5 830
300 94 050 83
 L 504mm - 806lm - 6W

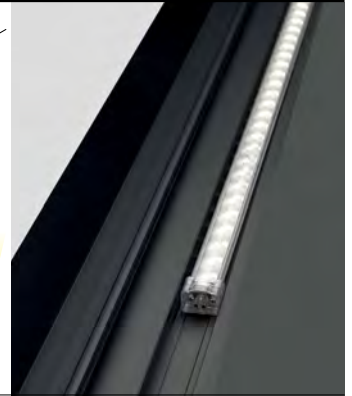
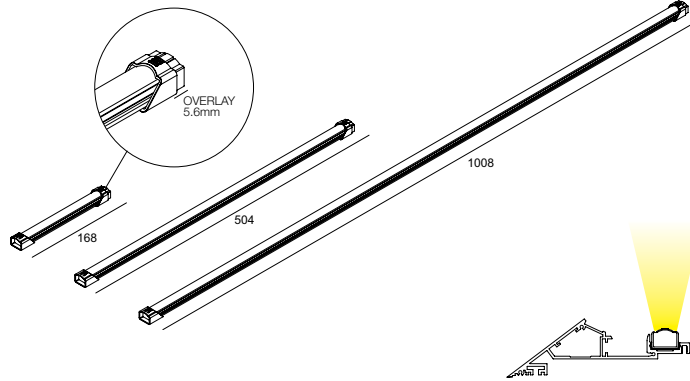
SPT PRO - LED LINE 10 830
300 94 100 83
 L 1008mm - 1612lm - 12W

EXCL. POWER SUPPLY 24V-DC
 INCL.LEDSTRIP - 3000K - 1600lm/m - 12W/m
 INCL.PC
 MAX.6M / POWERLINE

☐ CE 0,2 IP50

OPTIONS
 LED POWER SUPPLY 24V-DC

REQUIREMENT
 SUPPLY CABLE LED LINE



FULL INFO / PAG TEC Requirements

INSTALLATION

SUPPLY CABLE LED LINE
300 94 93 04
 2 x 0.5mm² / 1000mm

FULL INFO / PAG TEC Options

CONTROL GEAR

LED POWER SUPPLY 24V-DC / 20W 146 x 55 x 19
300 89 24 20

LED POWER SUPPLY 24V-DC / 40W 242 x 46 x 36
300 89 24 40

LED POWER SUPPLY 24V-DC / 60W 211 x 43 x 28
300 89 24 60

LED POWER SUPPLY 24V-DC / 150W 260 x 60 x 49
300 89 24 150

SHL 19-PC CLEAR 3m
398 03 05 CL

SHL 19-PC SBL 3m
398 03 05 SBL

Options Ledflex

LEDFLEX IN



LEDFLEX IN SUPPLY CABLE SET
300 92 93 07
 2 x 0.35mm² / 150mm
 SET OF 10 pcs
 CE 0,1



LEDFLEX IN CONNECTION SET
300 92 93 08
 2 x 0.35mm² / 150mm
 SET OF 10 pcs
 CE 0,1



LEDFLEX IN CONNECTION CLIP SET
300 92 93 09
 SET OF 10 pcs
 CE 0,1

LEDFLEX IN FP



LEDFLEX IN FP SUPPLY CABLE SET
300 92 93 01
 2 x 0.35mm² / 150mm
 SET OF 10 pcs
 CE 0,1



LEDFLEX IN FP CONNECTION SET
300 92 93 02
 2 x 0.35mm² / 150mm
 SET OF 10 pcs
 CE 0,1



LEDFLEX IN FP CONNECTION CLIP SET
300 92 93 03
 SET OF 10 pcs
 CE 0,1

LEDFLEX IN RGB



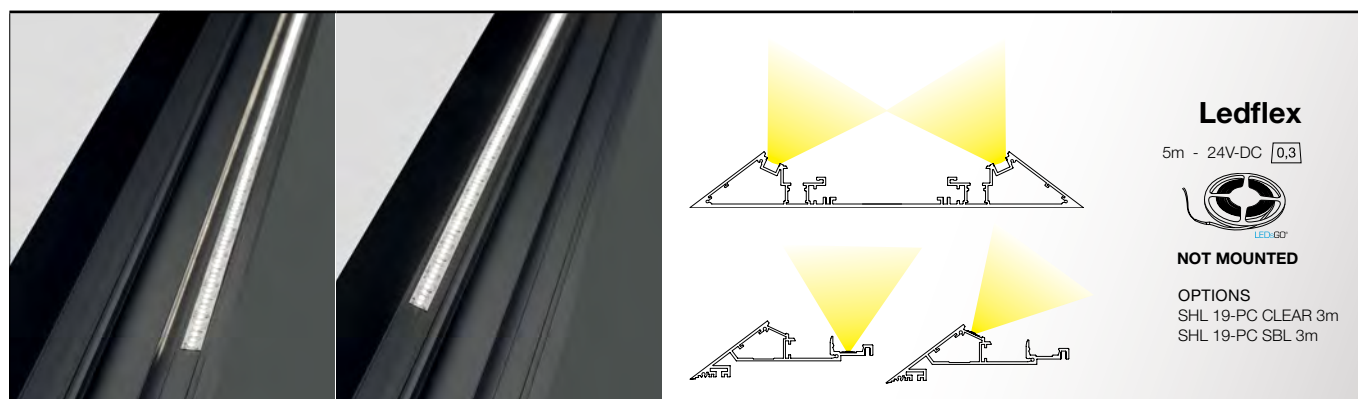
LEDFLEX IN RGB SUPPLY CABLE SET
300 92 93 04
 4 x 0.35mm² / 150mm
 SET OF 10 pcs
 CE 0,1



LEDFLEX IN RGB CONNECTION SET
300 92 93 05
 4 x 0.35mm² / 150mm
 SET OF 10 pcs
 CE 0,1



LEDFLEX IN RGB CONNECTION CLIP SET
300 92 93 06
 SET OF 10 pcs
 CE 0,1



		White		RGB
		L = 5m Dividable per 100mm 60 smd LED/m	L = 5m Dividable per 33,3mm 180 smd LED/m	L = 5m Dividable per 167mm 30 smd LED/m
		5W/m 360lm/m	15W/m 1000lm/m	22W/m 1800lm/m
		8W/m		
4000K ●	IN	LEDFLEX IN NW 300 92 52 04	LEDFLEX IN FP NW 300 92 53 04	
	OUT IP65	LEDFLEX OUT NW 300 92 62 04	LEDFLEX OUT FP NW 300 92 63 04	
3000K ●	IN	LEDFLEX IN WW 300 92 52 02	LEDFLEX IN FP WW 300 92 53 02	LEDFLEX IN HP WW 300 92 54 02
	OUT IP65	LEDFLEX OUT WW 300 92 62 02	LEDFLEX OUT FP WW 300 92 63 02	
2700K ●	IN	LEDFLEX IN HW 300 92 52 03	LEDFLEX IN FP HW 300 92 53 03	LEDFLEX IN HP HW 300 92 54 03
	OUT IP65	LEDFLEX OUT HW 300 92 62 03	LEDFLEX OUT FP HW 300 92 63 03	
RGB	IN			LEDFLEX IN RGB 300 92 52 33
	OUT IP65			LEDFLEX OUT RGB 300 92 62 33
		OPTIONS LEDFLEX IN	OPTIONS LEDFLEX IN FP	OPTIONS LEDFLEX IN RGB
FULL INFO / PAG TEC				
LED POWER SUPPLY 24V-DC / 20W 300 89 24 20	max.4 m	max.1 m	max.0,9 m	⊗ max.2,4 m
LED POWER SUPPLY 24V-DC / 40W 300 89 24 40	max.8 m	max.2,5 m	max.1,83 m	⊗ max.5 m
LED POWER SUPPLY 24V-DC / 60W 300 89 24 60	max.12 m	max.4 m (max.3m / Powerline)	max.2,76 m (max.3m / Powerline)	⊗ max.7,36 m
LED POWER SUPPLY 24V-DC / 80W DIM1 300 89 24 80	max.16 m	max.5 m (max.3m / Powerline)	max.3,7 m (max.3m / Powerline)	
LED POWER SUPPLY 24V-DC / 150W 300 89 24 150	max.30 m	max.10 m (max.3m / Powerline)	max.6,9 m (max.3m / Powerline)	⊗ max.18,72 m
LED POWER SUPPLY MULTI POWER DIM7 300 90 60	max.4 m	max.1 m	max.0,9 m	
LED POWER SUPPLY MULTI POWER DIM6 300 90 61	max.4 m	max.1 m	max.0,9 m	
RGB DRIVER 12/24V-DC 75/150W 300 90 331				⊗ use in combination with Led Power Supply 24V-DC
RGB TOUCH CONTROLLER DMX 300 90 330				⊗ use in combination with RGB Driver

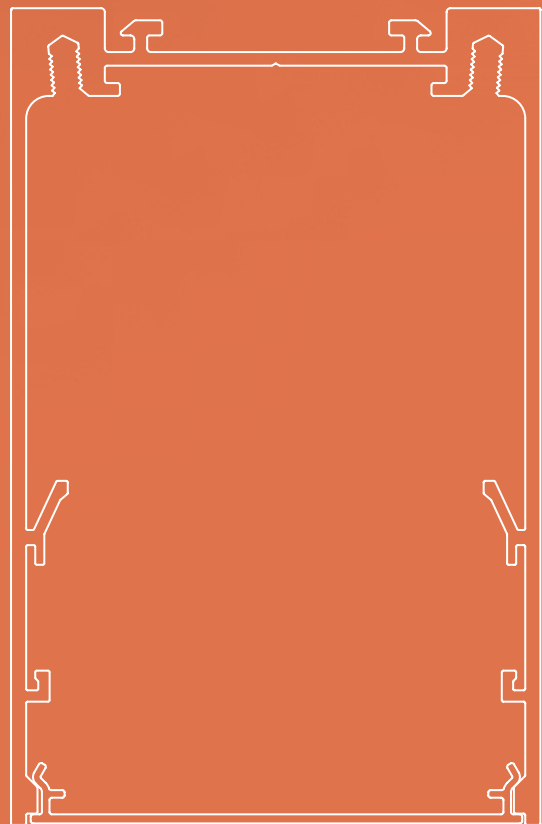
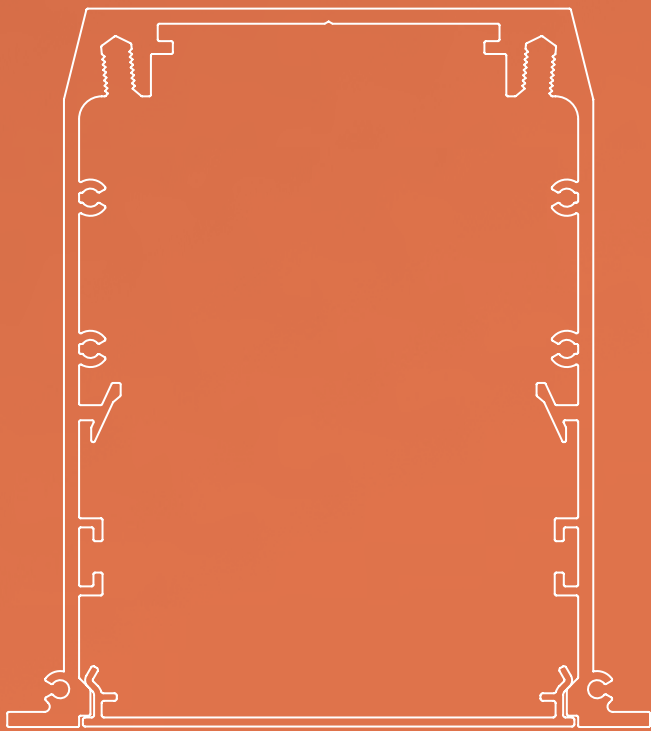
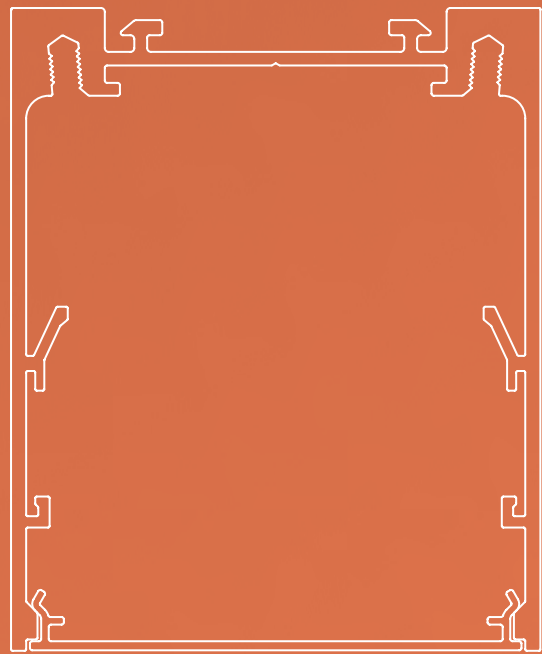
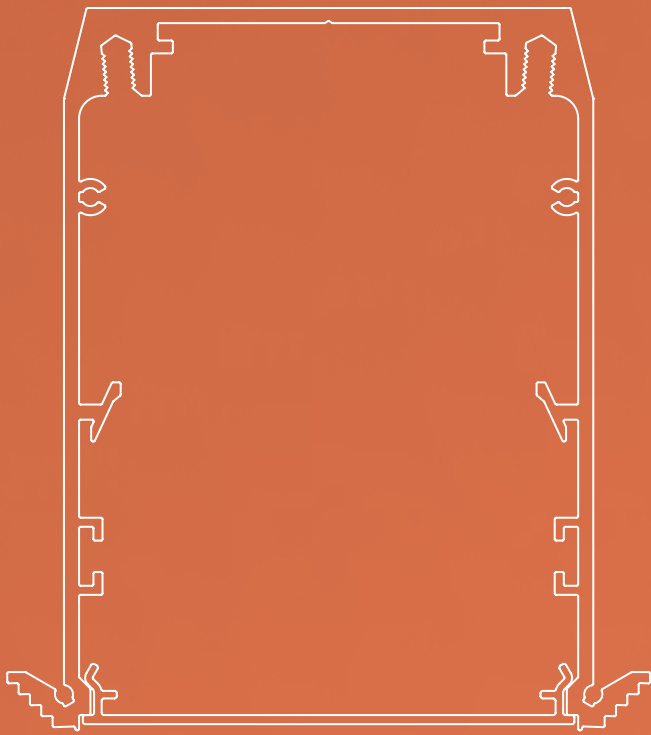
DIM1: dimming by 1-10V
 DIM6: dimming by push button / falling edge dimmer
 DIM7: dimming by push button / 1-10V

STREAMLINER

The Streamliner is a performance driven made-to-measure profile. Available for recessed, surface mounted or suspended application – down, up or down-up light effect and choice in an SBL or Prismatic Polycarbonate for low glare. Besides evenly illuminated lines the Streamliner can also be equipped with single or clustered Spy modules, downlight modules, an emergency unit or wireless control dimming.

www.deltalight.com/streamlinertrimless
www.deltalight.com/streamliner85
www.deltalight.com/streamliner70S
www.deltalight.com/streamliner70L





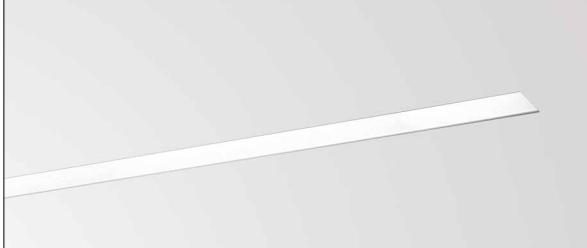


Streamliner TR

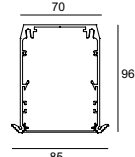


Streamliner 85


PROFILE



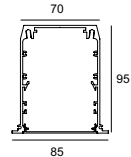
SRL TR - PROFILE ◇
389 04 00 00 ◇
 ◇ = ANO
 MAX.L / PROFILE : 6m
 Kg / m
2,1



TOL EN12020-2


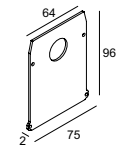


SRL 85 - PROFILE ◇
389 03 00 00 ◇
 ◇ = ANO / W
 MAX.L / PROFILE : 6m
 Kg / m
2,1


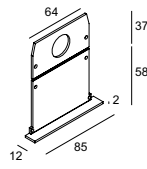


TOL EN12020-2

END CAP

SRL TR - END CAP ◇
389 04 03 01 ◇
 ◇ = ANO
0,1

SRL 85 - END CAP ◇
389 03 03 01 ◇
 ◇ = ANO / W
0,1

CORNER

SRL 85/TR - CORNER 180°
389 03 06 01
0,3



SRL 85/TR - CORNER 90°
389 03 06 06
0,2



SRL 85/TR - CORNER 180°
389 03 06 01
0,2



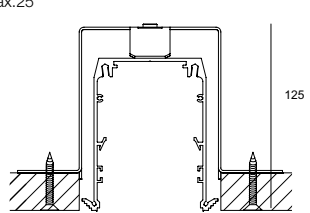
SRL 85/TR - CORNER 90°
389 03 06 06
0,2



FIXATION

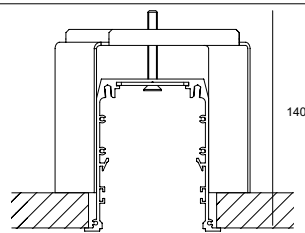
SRL TR - CLIP
389 04 14 01
0,1

90 x (L + 5) x 125 min.6 / max.25



SRL 85 - INSIDE CLIP
389 03 14 01
0,1

78 x (L + 5) x 140 max.35



CURRENT SUPPLY

Empty section for current supply details.



Streamliner 70S



Streamliner 70L

SRL 70S - PROFILE ◇
389 01 00 00 ◇
 ◇ = ANO / B / W
 MAX.L / PROFILE : 6m
 Kg / m
2,0

TOL EN12020-2

SRL 70L - PROFILE ◇
389 02 00 00 ◇
 ◇ = ANO / B / W
 MAX.L / PROFILE : 6m
 Kg / m
2,2

TOL EN12020-2

SRL 70S - END CAP ◇
389 01 03 01 ◇
 ◇ = A / B / W
0,1

SRL 70L - END CAP ◇
389 02 03 01 ◇
 ◇ = A / B / W
0,1

SRL 70 - CORNER 180°
389 01 06 01
0,2

SRL 70 - CORNER 90°
389 01 06 06
0,2

SRL 70 - CORNER 180°
389 01 06 01
0,2

SRL 70 - CORNER 90°
389 01 06 06
0,2

SRL 70 - WALL FIXATION
389 01 06 10
0,1

NO MODULE IN THIS AREA
 30 mm

SUSPENSION 20 SINGLE 1,6
377 20 21
 L 1,6m

SUSPENSION 20 SINGLE 6,0
377 20 26
 L 6,0m
0,1

SRL 70 - WALL FIXATION
389 01 06 10
0,1

NO MODULE IN THIS AREA
 30 mm

SUSPENSION 20 SINGLE 1,6
377 20 21
 L 1,6m

SUSPENSION 20 SINGLE 6,0
377 20 26
 L 6,0m
0,1

CURRENT SUPPLY
 L 1,6m / 3 x 0,75mm² **377 98 51**
 L 6,0m / 3 x 0,75mm² **377 98 56**
 L 1,6m / 5 x 0,75mm² **377 99 51**
 L 6,0m / 5 x 0,75mm² **377 99 56** 0,3

OPTIONS
 CABLE BASE R/S
 COVERSET R 62-90-100 / S 62-80-90

203 99 55 ◇
 ◇ = ANO / B / W

203 99 56 ◇
 ◇ = ANO / B / W
0,1

CURRENT SUPPLY
 L 1,6m / 3 x 0,75mm² **377 98 51**
 L 6,0m / 3 x 0,75mm² **377 98 56**
 L 1,6m / 5 x 0,75mm² **377 99 51**
 L 6,0m / 5 x 0,75mm² **377 99 56** 0,3

OPTIONS
 CABLE BASE R/S
 COVERSET R 62-90-100 / S 62-80-90

203 99 55 ◇
 ◇ = ANO / B / W

203 99 56 ◇
 ◇ = ANO / B / W
0,1



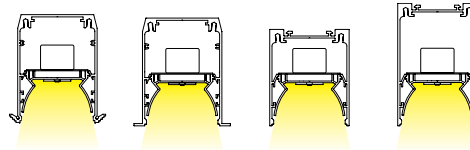


Streamliner Led Array Down

SRL - LED ARRAY DOWN

220-240V / 50-60Hz
INCL.POWER SUPPLY
INCL.LED ARRAY - 3000K - CRI > 80 - 3200lm/m - 150lm/W
EXCL.SRL PC PROFILE

IP20



PS L 260	Watt	L (mm)	EVG ■	EVG ■ DIM 1-10V	EVG ■ DIM DALI SWITCH
	1 x 12	560	389 610 12 E	389 610 12 ED1	389 610 12 ED2
	1 x 18	840	389 610 18 E	389 610 18 ED1	389 610 18 ED2
	1 x 24	1120	389 610 24 E	389 610 24 ED1	389 610 24 ED2
	1 x 30	1400	389 610 30 E	389 610 30 ED1	389 610 30 ED2
	1 x 36	1680	389 610 36 E	389 610 36 ED1	389 610 36 ED2
	1 x 48	2240	389 610 48 E	389 610 48 ED1	389 610 48 ED2



SRL - LED ARRAY DOWN HE

220-240V / 50-60Hz
INCL.POWER SUPPLY
INCL.LED ARRAY - 3000K - CRI > 80 - 1650lm/m - 164lm/W
EXCL.SRL PC PROFILE

IP20

PS L 260	Watt	L (mm)	EVG ■
	1 x 6	560	389 613 06 E
	1 x 9	840	389 613 09 E
	1 x 12	1120	389 613 12 E
	1 x 15	1400	389 613 15 E
	1 x 18	1680	389 613 18 E
	1 x 24	2240	389 613 24 E

Requirements

SRL - PC SBL PROFILE
389 02 05 SBL
or
SRL - PC PRISMATIC PROFILE
389 02 06 PR
MAX.L / PROFILE : 5.8m - 0.2 / m

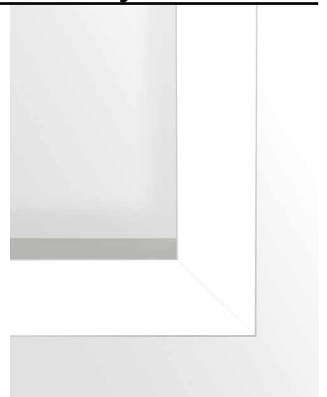
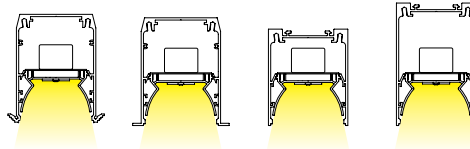


Streamliner Led Array Corner Down

SRL - LED ARRAY CORNER DOWN

220-240V / 50-60Hz
INCL.POWER SUPPLY
INCL.LED ARRAY - 3000K - CRI > 80 - 3200lm/m - 150lm/W
EXCL.SRL PC PROFILE

IP20



PS L 260	Watt	L (mm)	EVG ■	EVG ■ DIM 1-10V	EVG ■ DIM DALI SWITCH
	2 x 12	563	389 610 212 E	389 610 212 ED1	389 610 212 ED2



SRL - LED ARRAY CORNER DOWN HE

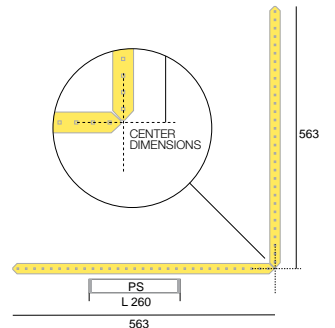
220-240V / 50-60Hz
INCL.POWER SUPPLY
INCL.LED ARRAY - 3000K - CRI > 80 - 1650lm/m - 164lm/W
EXCL.SRL PC PROFILE

IP20

PS L 260	Watt	L (mm)	EVG ■
	2 x 6	563	389 613 206 E

Requirements

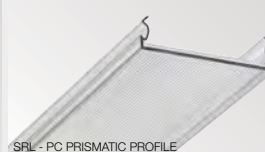
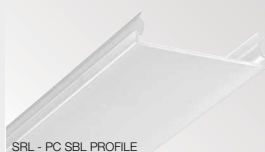
SRL - PC SBL PROFILE
389 02 05 SBL
or
SRL - PC PRISMATIC PROFILE
389 02 06 PR
MAX.L / PROFILE : 5.8m - 0.2 / m



Requirement

SRL - PC SBL PROFILE
389 02 05 SBL
MAX.L / PROFILE : 5.8m - 0.2 / m

SRL - PC PRISMATIC PROFILE
389 02 06 PR
MAX.L / PROFILE : 5.8m - 0.2 / m



FULL INFO / PAG TEC

Options

INSTALLATION
WIRELESS CONTROL DIM1 55 x 35 x 22
300 90 004 ED1
INFO PAG TEC 12-13



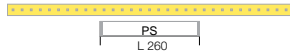
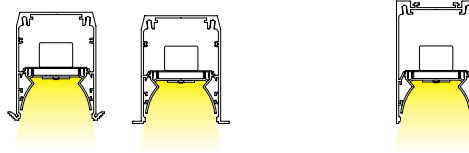


Streamliner Led Array Down + Emergency Unit

SRL - LED ARRAY DOWN + EMERGENCY UNIT

220-240V / 50-60Hz
INCL.POWER SUPPLY
INCL.EMERGENCY UNIT 1H / BLF 14%
INCL.LED ARRAY - 3000K - CRI > 80 - 3200lm/m - 150lm/W
EXCL.SRL PC PROFILE

IP20



Watt L (mm)
1 x 24 1120

EVG ■
389 610 24 E EM1

EVG ■
DIM 1-10V
389 610 24 ED1 EM1

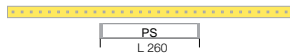
EVG ■
DIM DALI SWITCH
389 610 24 ED2 EM1



SRL - LED ARRAY DOWN HE + EMERGENCY UNIT

220-240V / 50-60Hz
INCL.POWER SUPPLY
INCL.EMERGENCY UNIT 1H / BLF 14%
INCL.LED ARRAY - 3000K - CRI > 80 - 1650lm/m - 164lm/W
EXCL.SRL PC PROFILE

IP20



Watt L (mm)
1 x 12 1120

EVG ■
389 613 12 E EM1

Requirements

SRL - PC SBL PROFILE
389 02 05 SBL
or
SRL - PC PRISMATIC PROFILE
389 02 06 PR

MAX.L / PROFILE : 5.8m - 0,2 / m

p

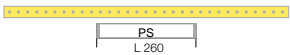
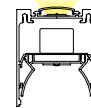


Streamliner Led Array Up

SRL70S - LED ARRAY UP

220-240V / 50-60Hz
INCL.POWER SUPPLY
INCL.LED ARRAY - 3000K - CRI > 80 - 3200lm/m - 150lm/W
INCL.PC CLEAR UP

IP20



Watt L (mm)
1 x 12 560
1 x 24 1120

EVG ■
389 01 620 12 E
389 01 620 24 E

EVG ■
DIM 1-10V
389 01 620 12 ED1
389 01 620 24 ED1

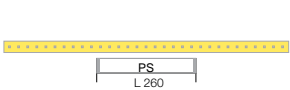
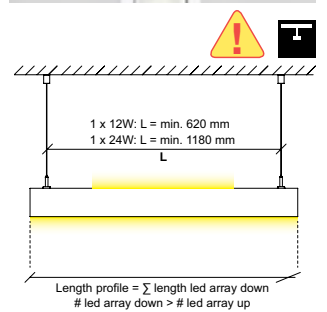
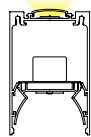
EVG ■
DIM DALI SWITCH
389 01 620 12 ED2
389 01 620 24 ED2



SRL70L - LED ARRAY UP

220-240V / 50-60Hz
INCL.POWER SUPPLY
INCL.LED ARRAY - 3000K - CRI > 80 - 3200lm/m - 150lm/W
INCL.PC CLEAR UP

IP20



Watt L (mm)
1 x 12 560
1 x 24 1120

EVG ■
389 02 620 12 E
389 02 620 24 E

EVG ■
DIM 1-10V
389 02 620 12 ED1
389 02 620 24 ED1

EVG ■
DIM DALI SWITCH
389 02 620 12 ED2
389 02 620 24 ED2





Streamliner M10 Midispy / Spy



SRL - M10 MIDISPY / SPY 1
389 90 01
INCL.LED POWER SUPPLY 500mA-DC
EXCL.1 x MIDISPY / SPY M10
220-240V / 50-60Hz

◇ CE IP20

SRL - M10 MIDISPY / SPY 1 DIM1
389 90 01 ED1
INCL.DIMMABLE LED POWER SUPPLY 500mA-DC
DIMMING BY 1-10V
EXCL.1 x MIDISPY / SPY M10
220-240V / 0150-60Hz

◇ CE IP20

SRL - M10 MIDISPY / SPY 1 DIM5
389 90 01 ED5
INCL.DIMMABLE LED POWER SUPPLY 500mA-DC
DIMMING BY DALI
EXCL.1 x MIDISPY / SPY M10
110-240V / 0150-60Hz

◇ CE IP20



SRL - M10 MIDISPY / SPY 2
389 90 02
INCL.LED POWER SUPPLY 500mA-DC
EXCL.2 x MIDISPY / SPY M10
220-240V / 50-60Hz

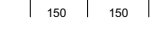
◇ CE IP20

SRL - M10 MIDISPY / SPY 2 DIM1
389 90 02 ED1
INCL.DIMMABLE LED POWER SUPPLY 500mA-DC
DIMMING BY 1-10V
EXCL.2 x MIDISPY / SPY M10
220-240V / 0150-60Hz

◇ CE IP20

SRL - M10 MIDISPY / SPY 2 DIM5
389 90 02 ED5
INCL.DIMMABLE LED POWER SUPPLY 500mA-DC
DIMMING BY DALI
EXCL.2 x MIDISPY / SPY M10
110-240V / 0150-60Hz

◇ CE IP20



SRL - M10 MIDISPY / SPY 3 DIM1
389 90 03 ED1
INCL.DIMMABLE LED POWER SUPPLY 500mA-DC
DIMMING BY 1-10V
EXCL.3 x MIDISPY / SPY M10
110-240V / 0150-60Hz

◇ CE IP20

SRL - M10 MIDISPY / SPY 3 DIM5
389 90 03 ED5
INCL.DIMMABLE LED POWER SUPPLY 500mA-DC
DIMMING BY DALI
EXCL.3 x MIDISPY / SPY M10
110-240V / 0150-60Hz

◇ CE IP20

Streamliner M10 Spy HP



SRL - M10 SPY HP
389 91 01
INCL.LED POWER SUPPLY 500mA-DC
EXCL.1 x SPY HP
220-240V / 50-60Hz

◇ CE IP20

SRL - M10 SPY HP DIM1
389 91 01 ED1
INCL.DIMMABLE LED POWER SUPPLY 500mA-DC
DIMMING BY 1-10V
EXCL.1 x SPY HP
220-240V / 0150-60Hz

◇ CE IP20

SRL - M10 SPY HP DIM5
389 91 01 ED5
INCL.DIMMABLE LED POWER SUPPLY 500mA-DC
DIMMING BY DALI
EXCL.1 x SPY HP
110-240V / 0150-60Hz

◇ CE IP20



Streamliner 1 LED



CRI > 90

4000K ●

ON REQUEST

3000K ●

427lm (6W)

REFLECTOR WFL-40°

SRL 1 LED 93040
389 611 933

2700K ●

400lm (6W)

REFLECTOR WFL-40°

SRL 1 LED 92740
389 611 923

FIXED
INCL.1 x POWERLED 6W
INCL.LED POWER SUPPLY 350mA-DC
220-240V / 50-60Hz

◇ CE 0,2 IP20



Streamliner 2 LED



CRI > 90

ON REQUEST

2 x 427lm (6W)




SRL 2 LED 93040
389 612 933

2 x 400lm (6W)








SRL 2 LED 92740
389 612 923

FIXED
INCL.2 x POWERLED 6W
INCL.LED POWER SUPPLY 350mA-DC
220-240V / 50-60Hz

◇ CE 0,2 IP20

led Midispy M10		led Spy M10		led Spy HP M10	
					
CRI > 90		CRI > 90			
3000K ●	585lm (9W)	960lm (9,3W)		2160lm (18W)	
REFLECTOR SP-18°		SPY M10 93018 ◇ M10 341 81931 ◇ ◇ = B / W		SPY HP M10 93033 ◇ M10 341 21 931 ◇ ◇ = B / W	
REFLECTOR FL-33°		SPY M10 93033 ◇ M10 341 81932 ◇ ◇ = B / W			
REFLECTOR WFL-40°		MIDISPY M10 93040 ◇ M10 241 933 ◇ ◇ = B / W			
2700K ●	548lm (9W)	939lm (9,3W)		2094lm (18W)	
REFLECTOR SP-18°		SPY M10 92718 ◇ M10 341 81921 ◇ ◇ = B / W		SPY HP M10 92733 ◇ M10 341 21 921 ◇ ◇ = B / W	
REFLECTOR FL-33°		SPY M10 92733 ◇ M10 341 81922 ◇ ◇ = B / W			
REFLECTOR WFL-40°		MIDISPY M10 92740 ◇ M10 241 923 ◇ ◇ = B / W			
ADJUSTABLE 0-90° / 355° INCL. 1 x POWERLED 9W EXCL. SRL M10 MIDISPY		ADJUSTABLE 0-90° / 355° INCL. 1 x POWERLED 9,3W EXCL. SRL M10 SPY		ADJUSTABLE 0-90° / 355° INCL. 1 x POWERLED 18W EXCL. SPY HP	
◇ CE 0,3 IP20		◇ CE 0,5 IP20		◇ CE 0,5 IP20	
REQUIREMENTS MIDISPY TUBE		REQUIREMENTS SPY TUBE		REQUIREMENTS SPY TUBE	
ACCESSORIES HONEYCOMB 50 LINEAR SPREAD LENS 50 SPREAD LENS 50 SOFTENING LENS 50 GLASS SBL 50		ACCESSORIES HONEYCOMB 50 LINEAR SPREAD LENS 50 SPREAD LENS 50 SOFTENING LENS 50 GLASS SBL 50		ACCESSORIES HONEYCOMB 50 LINEAR SPREAD LENS 50 SPREAD LENS 50 SOFTENING LENS 50 GLASS SBL 50	



FULL INFO / PAG TEC		Accessories		FULL INFO / PAG TEC		Requirements	
HONEYCOMB 50 ◇ 413 03 01 ◇ ◇ = B	Ø50			MIDISPY TUBE ◇ 414 03 00 ◇ ◇ = B / MMAT / SG / W			42 Ø42
LINEAR SPREAD LENS 50 413 03 02	Ø50			SPY TUBE ◇ 414 01 00 ◇ ◇ = B / MMAT / SG / W			53 Ø60
SPREAD LENS 50 413 03 03	Ø50						
SOFTENING LENS 50 413 03 04	Ø50						
GLASS SBL 50 413 03 05	Ø50						

FULL INFO / PAG TEC

Options

INSTALLATION



SUSPENSION SET 22

328 22 22

INCL.2 x CABLE SUSPENSION SINGLE AUTO. 1.6m
INCL.1 x CABLE 3 x 0.75mm²



SUSPENSION SET 22 EVG DIM1

328 22 22 ED1

INCL.2 x CABLE SUSPENSION SINGLE AUTO. 1.6m
INCL.1 x CABLE 3 x 0.75mm²
INCL.1 x CABLE 2 x 0.75mm²



CABLE BASE R ◇

Ø57 x 41

203 99 55 ◇

◇ = ANO / B / W



CABLE BASE S ◇

57 x 57 x 41

203 99 56 ◇

◇ = ANO / B / W



COVERSET R ◇

204 00 62 ◇

Ø62

204 00 90 ◇

Ø90

204 00 100 ◇

Ø100

◇ = ANO / B / W



COVERSET S ◇

204 62 62 ◇

62 x 62

204 80 80 ◇

80 x 80

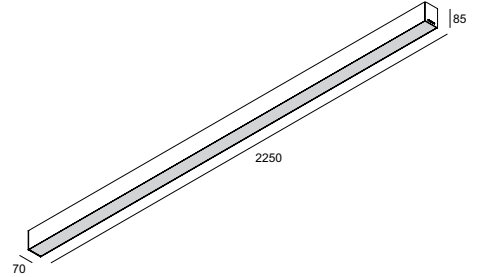
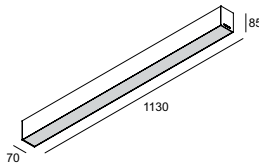
204 90 90 ◇

90 x 90

◇ = ANO / B / W



Streamliner 70S P



STREAMLINER 70S P2483 ◇

389 011 243 E ◇

◇ = ANO / W

DOWN

INCL.1 x SRL PC SBL

INCL.LED CLUSTER 24W / 3000K - CRI > 80 - 3568lm

INCL.1 x LED POWER SUPPLY

220-240V / 50-60Hz

◇ CE 1.8 IP20

OPTIONS

SUSPENSION SET 22

CABLE BASE R / S

COVERSET R 62-90-100 / S 62-80-90

STREAMLINER 70S P2483 DIM1 ◇

389 011 243 ED1 ◇

◇ = ANO / W

DOWN

INCL.1 x SRL PC SBL

INCL.LED CLUSTER 24W / 3000K - CRI > 80 - 3568lm

INCL.1 x DIMMABLE LED POWER SUPPLY

DIMMING BY 1-10V CONTROL

220-240V / 50-60Hz

◇ CE 1.8 IP20

OPTIONS

SUSPENSION SET 22 EVG DIM1

CABLE BASE R / S

COVERSET R 62-90-100 / S 62-80-90

STREAMLINER 70S P4883 ◇

389 011 483 E ◇

◇ = ANO / W

DOWN

INCL.1 x SRL PC SBL

INCL.LED CLUSTER 48W / 3000K - CRI > 80 - 7136lm

INCL.1 x LED POWER SUPPLY

220-240V / 50-60Hz

◇ CE 2.5 IP20

OPTIONS

SUSPENSION SET 22

CABLE BASE R / S

COVERSET R 62-90-100 / S 62-80-90

STREAMLINER 70S P4883 DIM1 ◇

389 011 483 ED1 ◇

◇ = ANO / W

DOWN

INCL.1 x SRL PC SBL

INCL.LED CLUSTER 48W / 3000K - CRI > 80 - 7136lm

INCL.1 x DIMMABLE LED POWER SUPPLY

DIMMING BY 1-10V CONTROL

220-240V / 50-60Hz

◇ CE 2.5 IP20

OPTIONS

SUSPENSION SET 22 EVG DIM1

CABLE BASE R / S

COVERSET R 62-90-100 / S 62-80-90

FEMTOLINE 35 / 35F ADDITION

The Femtoline range is known for its miniature dimensions. Thanks to the new suspension module you can now complete your recessed and surface mounted Femtoline configurations with a suspended version, resulting in an ultra-minimalistic line of light floating through the room.



Femtoline 35



Femtoline 35 F

PROFILE



FTL35 - PROFILE ◇

391 00 00 ◇

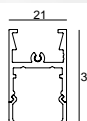
◇ = ANO / B / W

INCL. PC SBL

MAX.L / PROFILE : 6m

Kg / m

0,7



TOL EN12020-2



FTL35 F - PROFILE ◇

392 00 00 ◇

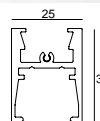
◇ = ANO / B / W

INCL. PC SBL

MAX.L / PROFILE : 6m

Kg / m

0,6



TOL EN12020-2

FIXATION



FTL35 - SUSPENSION SINGLE 1,6

391 09 01

L 1,6m

0,1



FTL35 - SUSPENSION SINGLE 1,6

391 09 01

L 1,6m

0,1



REQUIREMENT

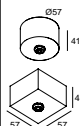
FTL 35 - CURRENT SUPPLY

L 1,6m / 2 x 0,75mm² **391 97 51** 0,3

OPTIONS

CABLE BASE R/S

COVERSET R 62-90-100 / S 62-80-90



203 99 55 ◇

◇ = ANO / B / W

203 99 56 ◇

◇ = ANO / B / W

0,1

www.deltalight.com/femtoline35
www.deltalight.com/femtoline35flush



EXTERIOR LIGHTING

The Lighting Bible® 11 catalogue offers a vast range of outdoor lighting solutions, ranging from ceiling to wall and floor applications, both recessed and surface mounted. The following pages complete the existing collection.

www.deltalight.com/products/overview





INDEX

EXTERIOR LIGHTING



WANT-IT SX
INT 107



BUTLER W
INT 108-109



BUTLER W D
INT 108-109

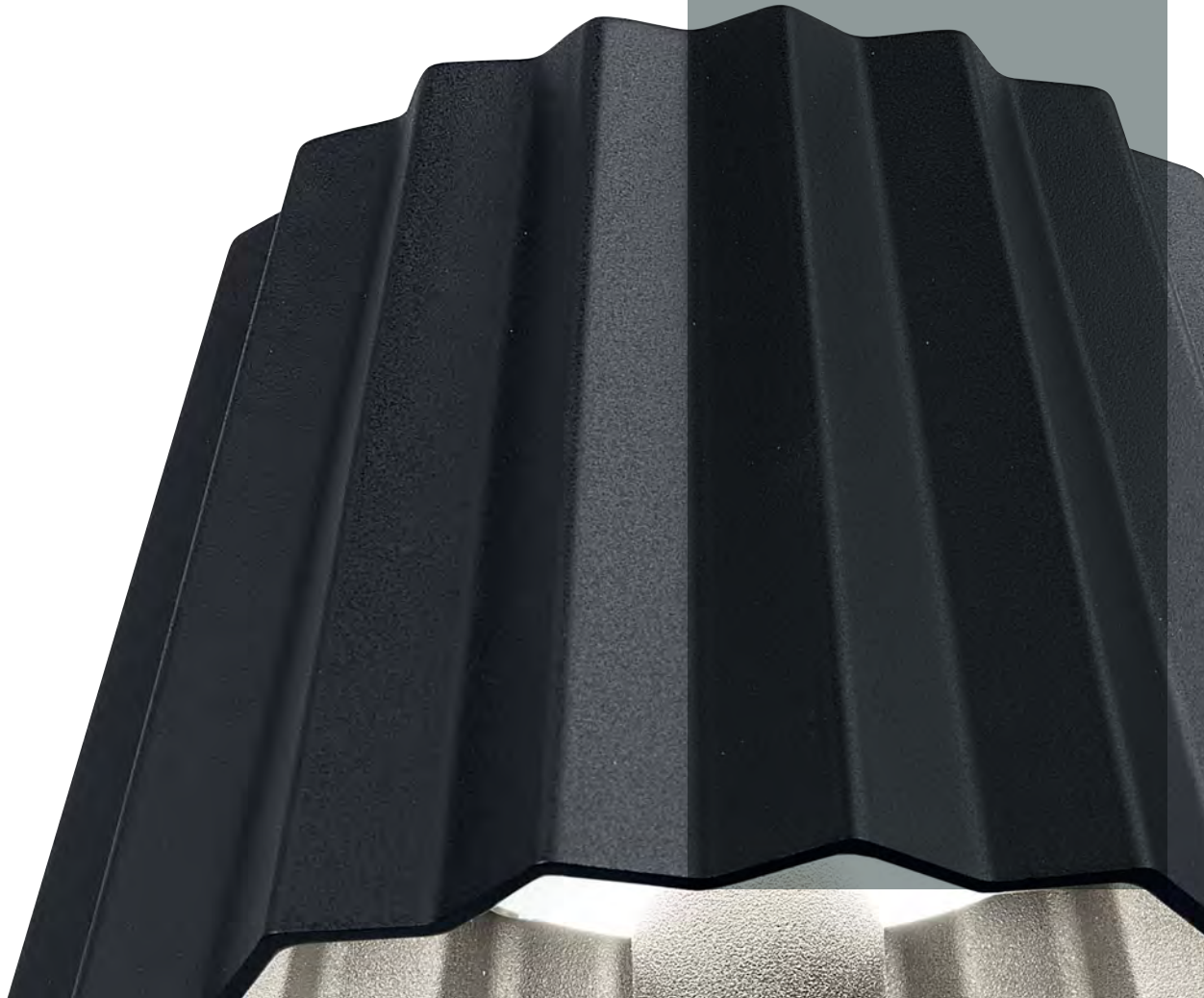


BUTLER P30
INT 111



BUTLER P80
INT 113

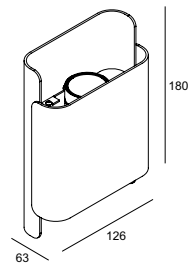
NAME	PAGE
BUTLER P30	111
BUTLER P80	113
BUTLER W	108-109
BUTLER W D	108-109
WANT-IT S X	107







Want-it S X



WANT-IT S X 830 ◇

275 14 82 83 ◇

◇ = A / N

INCL. 2 x POWERLED 4,2W

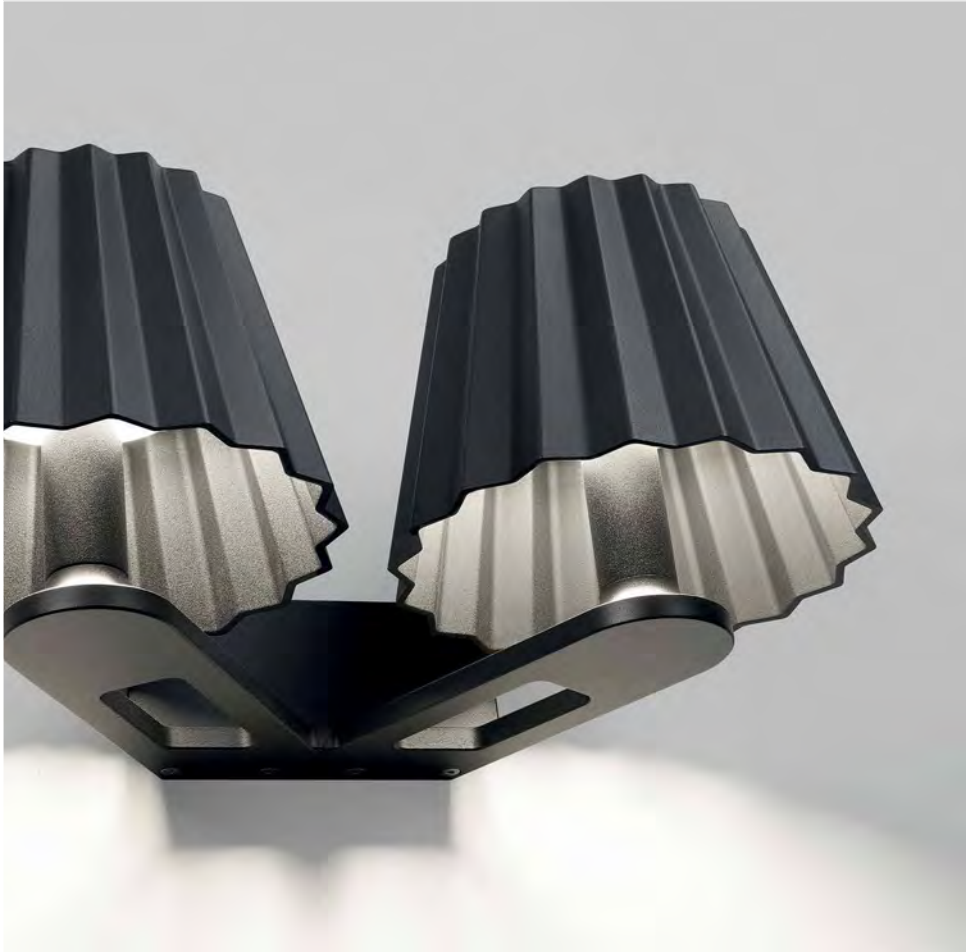
INCL. LED POWER SUPPLY 240mA-DC

110-240V / 50-60Hz

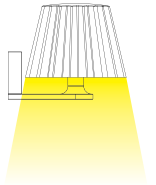
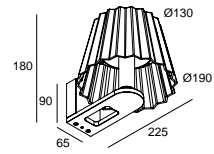
IP55

CRI>80 - 3000K - 2 x 472lm (4,2W)





Butler W

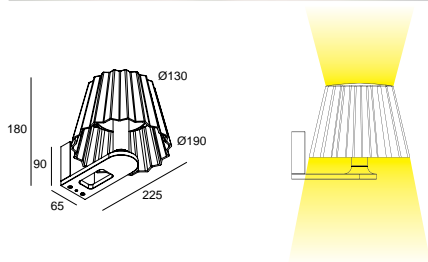


BUTLER W 930 DIM8 ◇
222 031 11 93 ED8 ◇
◇ = A / B
INCL LED CLUSTER 16W / 3000K ●
220-240V / 50-60Hz
MAINS DIMMING (FE)

◇ CE 1.3 IP56

CRI>90 - 3000K - 1216lm (16W)

led Butler W Down-Up

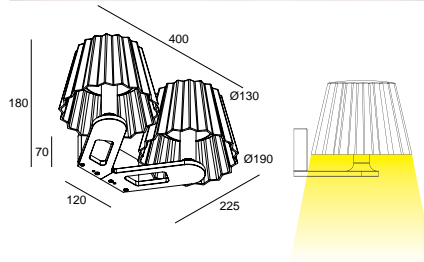


BUTLER W 930 DOWN-UP DIM8 ◇
222 031 12 93 ED8 ◇
 ◇ = A / B
 INCL.LED CLUSTER UP 6W / 3000K ●
 INCL.LED CLUSTER DOWN 10W / 3000K ●
 220-240V / 50-60Hz
 MAINS DIMMING (FE)

◇ **CE** **1,5** IP56

CRI>90 - 3000K - UP 500lm (6W) / DOWN 760lm (10W)

led Butler W D

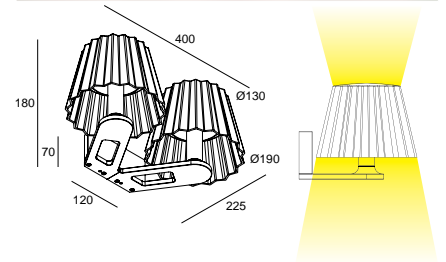


BUTLER W D 930 DIM8 ◇
222 032 11 93 ED8 ◇
 ◇ = A / B
 INCL.2 x LED CLUSTER 16W / 3000K ●
 220-240V / 50-60Hz
 MAINS DIMMING (FE)

◇ **CE** **2,8** IP56

CRI>90 - 3000K - 1216lm (16W)

led Butler W D Down-Up



BUTLER W D 930 DOWN-UP DIM8 ◇
222 032 12 93 ED8 ◇
 ◇ = A / B
 INCL.2 x LED CLUSTER UP 6W / 3000K ●
 INCL.2 x LED CLUSTER DOWN 10W / 3000K ●
 220-240V / 50-60Hz
 MAINS DIMMING (FE)

◇ **CE** **3,2** IP56

CRI>90 - 3000K - UP 500lm (6W) / DOWN 760lm (10W)

Design by Arik Levy & Delta Light®
www.deltalight.com/butlerbyariklevy



FULL INFO / PAG TEC

Options

INSTALLATION



CBOX 216 12 00 140 x 140 x 173 142 x 142 x 300

IP68 CONNECTION KIT 216 12 01 95 x 45 x 25



IP68 CONNECTOR 3P 216 12 02 Ø 23 x 68



INSTALLATION



PIN 3 229 01 03 Ø108 x 404

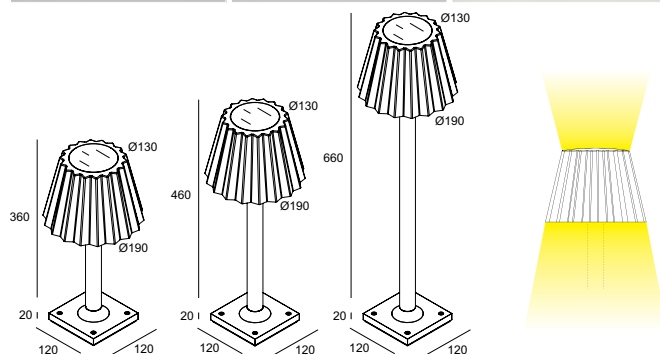
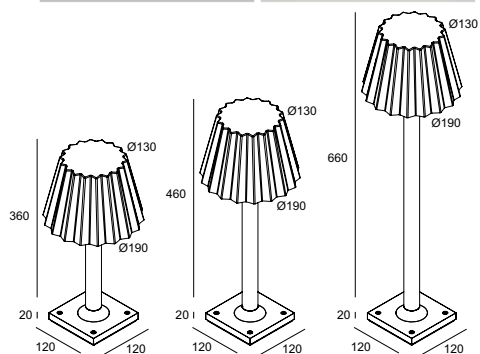




Butler P 30



Butler P 30 Down-Up



380 mm **BUTLER P 303** ◇ 1,4
222 03 11 93 ◇
 ◇ = A / B

480 mm **BUTLER P 304** ◇ 1,6
222 03 21 93 ◇
 ◇ = A / B

680 mm **BUTLER P 306** ◇ 1,8
222 03 31 93 ◇
 ◇ = A / B

INCL.LED CLUSTER 16W / 3000K ●
 220-240V / 50-60Hz
 MAINS DIMMING (FE)

◇ CE IP56

OPTIONS

- PIN 3
- CBOX
- IP68 CONNECTION KIT
- IP68 CONNECTOR 3P

380 mm **BUTLER P 303 DOWN-UP** ◇ 1,6
222 03 12 93 ◇
 ◇ = A / B

480 mm **BUTLER P 304 DOWN-UP** ◇ 1,8
222 03 22 93 ◇
 ◇ = A / B

680 mm **BUTLER P 306 DOWN-UP** ◇ 2,0
222 03 32 93 ◇
 ◇ = A / B

INCL.LED CLUSTER UP 6W / 3000K ●
 INCL.LED CLUSTER DOWN 10W / 3000K ●
 220-240V / 50-60Hz
 MAINS DIMMING (FE)

◇ CE IP56

OPTIONS

- PIN 3
- CBOX
- IP68 CONNECTION KIT
- IP68 CONNECTOR 3P

CRI>90 - 3000K - 1216lm (16W)

CRI>90 - 3000K - UP 500lm (6W) / DOWN 760lm (10W) **Design by Arik Levy & Delta Light®**
www.deltalight.com/butlerbyariklevy



FULL INFO / PAG TEC

Options

INSTALLATION



CBOX 216 12 00 140 x 140 x 173 142 x 142 x 300

IP68 CONNECTION KIT 216 12 01 95 x 45 x 25



IP68 CONNECTOR 3P 216 12 02 Ø 23 x 68



INSTALLATION



PLATE 10 229 02 10 Ø126 x 440





Butler P 80



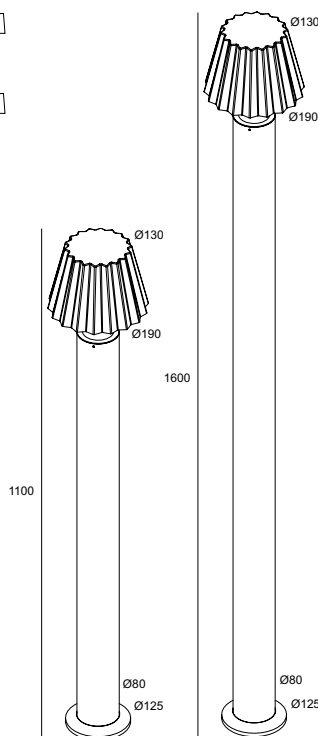
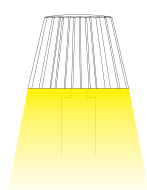
1100 mm **BUTLER P 809** ◇ 4,2
222 08 11 93 ◇
 ◇ = A / B

1600 mm **BUTLER P 814** ◇ 5,7
222 08 21 93 ◇
 ◇ = A / B

INCL. LED CLUSTER 16W / 3000K ●
 220-240V / 50-60Hz
 MAINS DIMMING (FE)

◇ CE IP56

OPTIONS
 PLATE 10
 CBOX
 IP68 CONNECTION KIT
 IP68 CONNECTOR 3P



CRI>90 - 3000K - 1216lm (16W)



Butler P 80 Down-Up



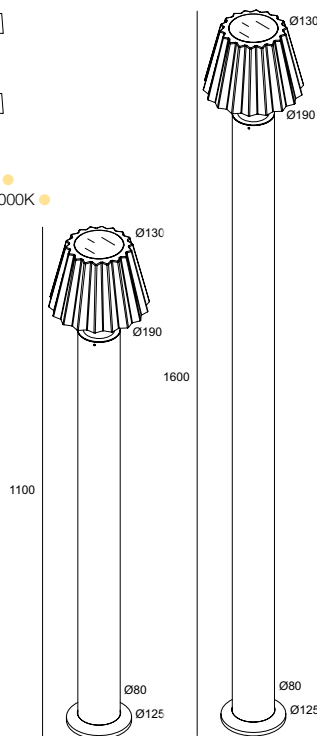
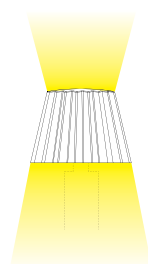
1100 mm **BUTLER P 809 DOWN-UP** ◇ 4,4
222 08 12 93 ◇
 ◇ = A / B

1600 mm **BUTLER P 814 DOWN-UP** ◇ 5,9
222 08 22 93 ◇
 ◇ = A / B

INCL. LED CLUSTER UP 6W / 3000K ●
 INCL. LED CLUSTER DOWN 10W / 3000K ●
 220-240V / 50-60Hz
 MAINS DIMMING (FE)

◇ CE IP56

OPTIONS
 PLATE 10
 CBOX
 IP68 CONNECTION KIT
 IP68 CONNECTOR 3P



CRI>90 - 3000K - UP 500lm (6W) / DOWN 760lm (10W)

Design by Arik Levy & Delta Light®
www.deltalight.com/butlerbyariklevy

TECHNICAL INFO

The following chapter provides additional led information and more details on options, accessories and requirements.

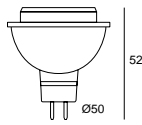




LAMPS

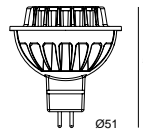


Led Solution / Haloled



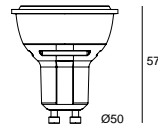
HALOLED 51 - 36° (20W) WW
309 106 38 22
 INCL.1 x POWERLED / 3000K ●
 INCL.1 x LENS 36°
 TOTAL POWER 4,4W / 230lm
 GX5.3 / 12V
 MAINS DIMMING (FE)

CE 0,1 IP20



HALOLED 51 - 36° (50W) WW
309 106 38 32
 INCL.1 x POWERLED / 3000K ●
 INCL.1 x LENS 36°
 TOTAL POWER 8W / 660lm
 GX5.3 / 12V
 MAINS DIMMING (FE)

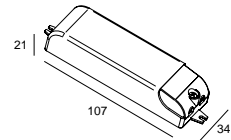
CE 0,1 IP20



HALOLED Hi - 40° (35W) WW
309 107 38 32
 INCL.1 x POWERLED / 2700K ●
 INCL.1 x LENS 40°
 TOTAL POWER 5,4W / 402lm
 GU10 / 220-240V / 50-60Hz
 MAINS DIMMING (FE)

CE 0,1 IP20

LED Transfo 12V



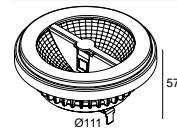
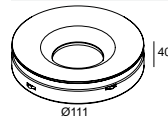
LED TRANSFO 12V-70W
300 89 12 71

220-240V / 50-60Hz
 1-70W FALLING EDGE DIMMABLE TRANSFO
 OUTPUT 12V-AC

CE 0,1 IP20



Led Solution / QR111



	CRI > 80	CRI > 90
3000K ●	680lm	566lm
REFLECTOR FL-33°	REO 111 3033 ◇ 309 111 28122 ◇ ◇ = A / B / W	REO 111 3033-9 ◇ 309 111 29122 ◇ ◇ = A / B / W
REFLECTOR WFL-50°	REO 111 3050 ◇ 309 111 28132 ◇ ◇ = A / B / W	REO 111 3050-9 ◇ 309 111 29132 ◇ ◇ = A / B / W
2700K ●	618lm	525lm
REFLECTOR FL-33°	REO 111 2733 ◇ 309 111 28123 ◇ ◇ = A / B / W	REO 111 2733-9 ◇ 309 111 29123 ◇ ◇ = A / B / W
REFLECTOR WFL-50°	REO 111 2750 ◇ 309 111 28133 ◇ ◇ = A / B / W	REO 111 2750-9 ◇ 309 111 29133 ◇ ◇ = A / B / W

HALOLED 111 - 24° HW
309 155 24 12

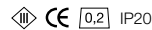
HALOLED 111 - 45° HW
309 155 45 12

INCL.2 x POWERLED / 2800K ●
TOTAL POWER 15W
G53 / 12V / NON DIMMABLE



* provide appropriate ventilation to limit T_{HEATSINK} temperature

INCL.1 x POWERLED [] WHITE 7W
EXCL.LED POWER SUPPLY 350mA-DC
INCL.2 x WIRE 1 x 0.50mm² 0.5m
T_{HEATSINK} MAX < 65°C*



PRODUCT	REFERENCE	REO 111
SPLIT-IT RB111	416 61 231	•

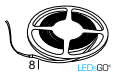
LED POWER SUPPLY	REFERENCE	PAGE	REO 111
LED POWER SUPPLY 350mA-DC / 15W	300 90 91	TEC 15	1
LED POWER SUPPLY 350mA-DC / 16W DIM8	300 90 3112	TEC 15	2
LED POWER SUPPLY 350mA-DC / 17W	300 90 913	TEC 15	2
LED TRANSFO 12V-70W	300 89 12 71	TEC 4	-

HALOLED 111
•

HALOLED 111
-
-
-
2

LED

Ledflex 5m



LEDFLEX IN NW 5m
300 92 52 04
60 x SMD LED/m - 4000K

LEDFLEX IN WW 5m
300 92 52 02
60 x SMD LED/m - 3000K

LEDFLEX IN HW 5m
300 92 52 03
60 x SMD LED/m - 2700K

L : 5m / DIVIDABLE PER 100mm
5W/m - 360lm/m
24V-DC
INCL.20 MOUNTING BRACKETS
EXCL.LED POWER SUPPLY 24V-DC

CE [0.2] IP20

OPTIONS

LEDFLEX IN CONNECTION SET
LEDFLEX IN SUPPLY CABLE SET
LEDFLEX IN CONNECTION CLIP SET



LEDFLEX OUT NW 5m
300 92 62 04
60 x SMD LED/m - 4000K

LEDFLEX OUT WW 5m
300 92 62 02
60 x SMD LED/m - 3000K

LEDFLEX OUT HW 5m
300 92 62 03
60 x SMD LED/m - 2700K

L : 5m / DIVIDABLE PER 100mm
5W/m - 360lm/m
24V-DC
INCL.20 MOUNTING BRACKETS
INCL.8 ENDCAPS
EXCL.LED POWER SUPPLY 24V-DC

CE [0.3] IP65

Ledflex FP 5m



LEDFLEX IN FP NW 5m
300 92 53 04
60 x SMD LED/m - 4000K

LEDFLEX IN FP WW 5m
300 92 53 02
60 x SMD LED/m - 3000K

LEDFLEX IN FP HW 5m
300 92 53 03
60 x SMD LED/m - 2700K

L : 5m / DIVIDABLE PER 100mm
15W/m - 1000lm/m
24V-DC
INCL.20 MOUNTING BRACKETS
EXCL.LED POWER SUPPLY 24V-DC

CE [0.2] IP20

OPTIONS

LEDFLEX IN FP CONNECTION SET
LEDFLEX IN FP SUPPLY CABLE SET
LEDFLEX IN FP CONNECTION CLIP SET



LEDFLEX OUT FP NW 5m
300 92 63 04
60 x SMD LED/m - 4000K

LEDFLEX OUT FP WW 5m
300 92 63 02
60 x SMD LED/m - 3000K

LEDFLEX OUT FP HW 5m
300 92 63 03
60 x SMD LED/m - 2700K

L : 5m / DIVIDABLE PER 100mm
15W/m - 1000lm/m
24V-DC
INCL.20 MOUNTING BRACKETS
INCL.8 ENDCAPS
EXCL.LED POWER SUPPLY 24V-DC

CE [0.3] IP65

Ledflex RGB 5m



LEDFLEX IN RGB 5m
300 92 52 33
30 x SMD LED/m - RGB
COMMON PLUS
L : 5m / DIVIDABLE PER 167mm
8W/m
24V-DC
INCL.20 MOUNTING BRACKETS
EXCL.LED POWER SUPPLY 24V-DC

CE [0.2] IP20

OPTIONS

LEDFLEX IN RGB CONNECTION SET
LEDFLEX IN RGB SUPPLY CABLE SET
LEDFLEX IN RGB CONNECTION CLIP SET



LEDFLEX OUT RGB 5m
300 92 62 33
30 x SMD LED/m - RGB
COMMON PLUS
L : 5m / DIVIDABLE PER 167mm
8W/m
24V-DC
INCL.20 MOUNTING BRACKETS
INCL.8 ENDCAPS
EXCL.LED POWER SUPPLY 24V-DC

CE [0.3] IP65

Ledflex HP 5m



LEDFLEX IN HP WW 5m
300 92 54 02
180 x SMD LED/m - 3000K

LEDFLEX IN HP HW 5m
300 92 54 03
180 x SMD LED/m - 2700K

L : 5m / DIVIDABLE PER 33,3mm
21,6W/m - 1800lm/m
24V-DC
INCL.20 MOUNTING BRACKETS
EXCL.LED POWER SUPPLY 24V-DC

CE [0.2] IP20



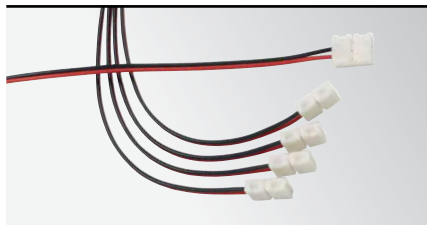
Ledflex HP TW 5m



LEDFLEX IN HP TW 2740 5m
300 92 55 2740
180 x DUAL DICE IN ONE SMD LED/m
L : 5m / DIVIDABLE PER 33,3mm
2700K / 14,4W/m / 1350lm/m
4000K / 14,4W/m / 1350lm/m
COMMON PLUS
24V-DC
INCL.20 MOUNTING BRACKETS
EXCL.LED POWER SUPPLY 24V-DC

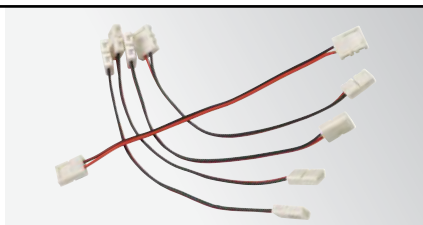
CE [0.2] IP20

Ledflex In



LEDFLEX IN SUPPLY CABLE SET
300 92 93 07
 2 x 0,35mm² / 150 mm
 SET OF 10 pcs

CE 0,1



LEDFLEX IN CONNECTION SET
300 92 93 08
 2 x 0,35mm² / 150 mm
 SET OF 10 pcs

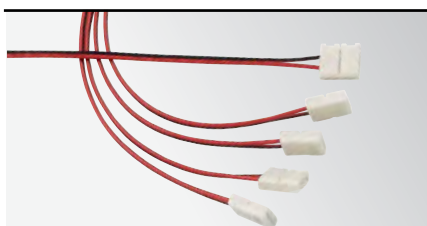
CE 0,1



LEDFLEX IN CONNECTION CLIP SET
300 92 93 09
 SET OF 10 pcs

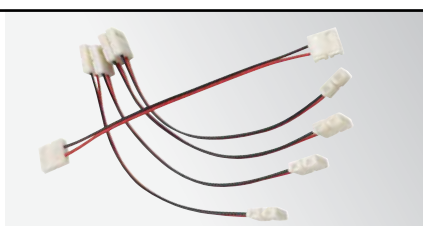
CE 0,1

Ledflex In FP



LEDFLEX IN FP SUPPLY CABLE SET
300 92 93 01
 2 x 0,35mm² / 150 mm
 SET OF 10 pcs

CE 0,1



LEDFLEX IN FP CONNECTION SET
300 92 93 02
 2 x 0,35mm² / 150 mm
 SET OF 10 pcs

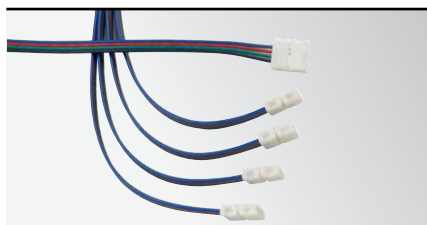
CE 0,1



LEDFLEX IN FP CONNECTION CLIP SET
300 92 93 03
 SET OF 10 pcs

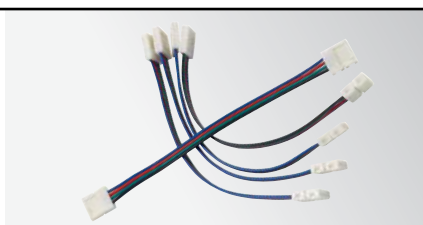
CE 0,1

Ledflex In RGB



LEDFLEX IN RGB SUPPLY CABLE SET
300 92 93 04
 4 x 0,35mm² / 150 mm
 SET OF 10 pcs

CE 0,1



LEDFLEX IN RGB CONNECTION SET
300 92 93 05
 4 x 0,35mm² / 150 mm
 SET OF 10 pcs

CE 0,1



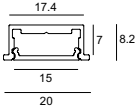
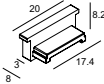
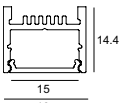
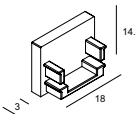
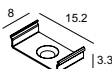
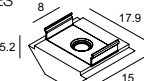
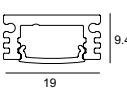
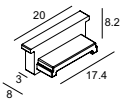
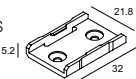
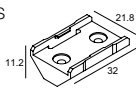
LEDFLEX IN RGB CONNECTION CLIP SET
300 92 93 06
 SET OF 10 pcs

CE 0,1



LED

Shelfline Profile

	PROFILE	PC	ENDCAP	FIXATION
SHELFLINE 20 ST	<p>SHL20 ST-PROFILE 3m ◇ 398 01 00 ◇ ◇ = ANO INCL.PC SBL L: 3m</p> 	-	<p>SHL20 ST-ENDCAP SET ◇ 398 01 03 01 ◇ ◇ = A SET OF 2 PIECES</p> 	-
SHELFLINE 18	<p>SHL18-PROFILE 3m ◇ 398 02 00 ◇ ◇ = ANO INCL.PC SBL L: 3m</p> 	-	<p>SHL18-ENDCAP SET ◇ 398 02 03 01 ◇ ◇ = A SET OF 2 PIECES</p> 	<p>SHL18-MOUNTING CLIP SET 398 02 06 11 SET OF 10 PIECES</p>  <p>SHL18-MOUNTING CLIP 45° SET 398 02 06 45 SET OF 10 PIECES</p> 
SHELFLINE 19	<p>SHL19-PROFILE 3m ◇ 398 03 00 ◇ ◇ = ANO EXCL.PC L: 3m</p> 	<p>SHL19-PC CLEAR 3m 398 03 05 CL L: 3m</p> <p>SHL19-PC SBL 3m 398 03 05 SBL L: 3m</p>	<p>SHL19-ENDCAP SET ◇ 398 03 03 01 ◇ ◇ = A SET OF 2 PIECES</p> 	<p>SHL19-MOUNTING CLIP SET 398 03 06 11 SET OF 10 PIECES</p>  <p>SHL19-MOUNTING CLIP 45° SET 398 03 06 45 SET OF 10 PIECES</p> 

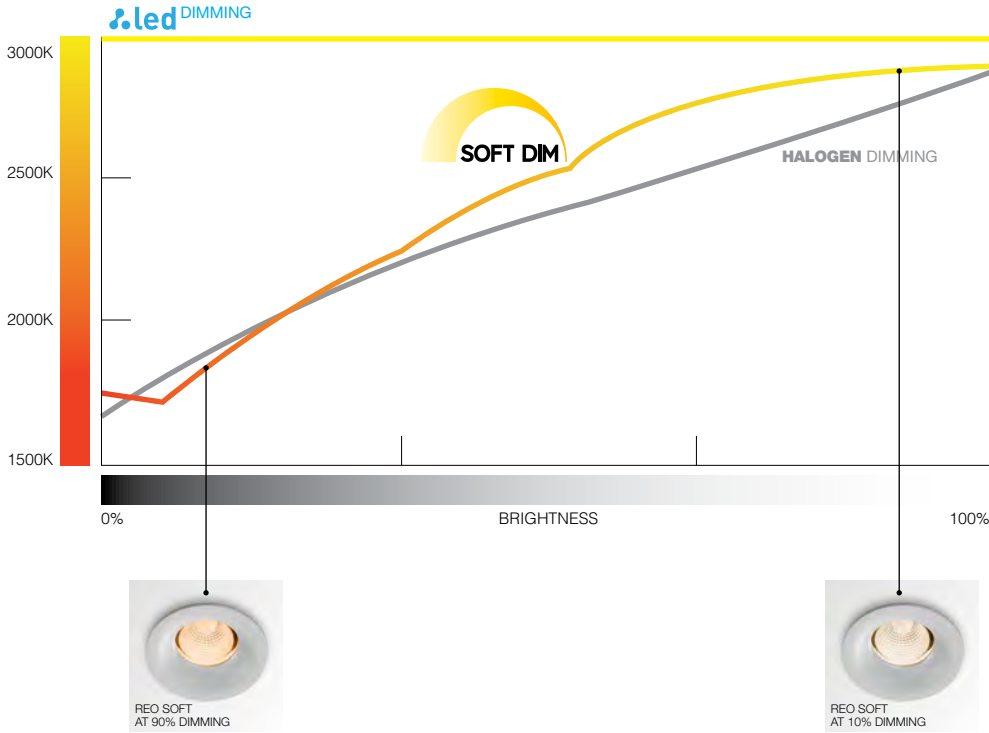
OPTION

LED FLEX IN
 ALL INFO PAG TEC 6



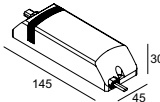

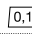

Soft Dim

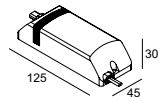

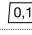

DIMMING CURVE



REO SOFT
2700-1800K
CRI > 80 / 850lm (10W)
REFLECTOR 40°

LED Power Supply 650mA DIM5













Type	
LED POWER SUPPLY 650mA DIM5 new	
	300 90 915 ED5
	  IP20
Dimensions (L x W x H)	145 x 45 x 35
Input	220-240V / 50-60Hz
Output	650mA / 10W / 12-16V-DC
	
DIM	DALI Dimming

Type	
LED POWER SUPPLY 650mA DIM8	
	300 90 915 ED8
	  IP20
Dimensions (L x W x H)	125 x 45 x 35
Input	220-240V / 50-60Hz
Output	650mA / 10W / 12-16V-DC
	
DIM	Falling Edge Dimming



LED SPECIFICATIONS

CRI 80











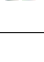



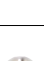

CRI	LED	Power ¹	2700K ³	3000K	4000K	Typical values		
			Luminous flux @ 70°	Luminous flux @ 70°	Luminous flux @ 70°	Forw.Cur.	Forw.Volt.	
CRI > 80 ²								
		[A]	1,1W	115lm - 117lm/W	120lm - 122lm/W	130lm - 133lm/W	350mA	2,8V *
			1,6W	160lm - 113lm/W	168lm - 117lm/W	181lm - 127lm/W	500mA	2,9V *
			2,3W	214lm - 105lm/W	223lm - 110lm/W	242lm - 119lm/W	700mA	2,9V *
		[B]	3,3W	294lm - 90lm/W	307lm - 94lm/W	ON REQUEST	1050mA	3,1V *
		[C]	4,1W	425lm - 89lm/W	425lm - 94lm/W	ON REQUEST	350mA	11,6V *
			6W	525lm - 88lm/W	525lm - 88lm/W	ON REQUEST	500mA	11,9V *
		[D]	7W	595lm - 85lm/W	638lm - 92lm/W	ON REQUEST	350mA	19,9V *
		[E]	6W	530lm - 90lm/W	570lm - 96lm/W	613lm - 104lm/W	350mA	16,9V *
			9W	726lm - 84lm/W	780lm - 90lm/W	840lm - 97lm/W	500mA	17,3V *
		[F]	2W	195lm - 96lm/W	208lm - 102lm/W	ON REQUEST	700mA	2,9V *
			3,2W	276lm - 88lm/W	295lm - 93lm/W	ON REQUEST	1050mA	3,0V *
		[G]	3W	331lm - 110lm/W	348lm - 116lm/W	365lm - 94lm/W	350mA	8,8V *
			7W	550lm - 84lm/W	584lm - 89lm/W	615lm - 94lm/W	700mA	9,4V *
		[H]	6,2W	838lm - 138lm/W	857lm - 141lm/W	929lm - 153lm/W	350mA	17V *
			9,3W	1127lm - 125lm/W	1152lm - 128lm/W	1249lm - 139lm/W	500mA	18,4V *
			13,3W	1454lm - 110lm/W	1487m - 113lm/W	1612lm - 123lm/W	700mA	19,2V *
		[I]	7W	618lm - 87lm/W ⁴	680lm - 95lm/W	762lm - 107lm/W	350mA	19,8V *
			10W	876lm - 83lm/W	958lm - 91lm/W	1071lm - 101lm/W	500mA	20,5V *
		[J]	18W	2512lm - 146lm/W	2593lm - 151lm/W	2811lm - 163lm/W	500mA	34,4V *
			19,2W	2763lm - 144lm/W	2892lm - 149lm/W	3093lm - 161lm/W	550mA	34,9V *
		21,2W	3015lm - 142lm/W	3111lm - 146lm/W	3374lm - 159lm/W	600mA	35V *	
		25W	3372lm - 136lm/W	3480lm - 140lm/W	3774lm - 152lm/W	700mA	35,5V *	
		31,5W	3878lm - 123lm/W	4002lm - 127lm/W	4370lm - 138lm/W	850mA	37V *	
	[K]	26W	-	3000lm - 115lm/W	-	600mA	SYSTEM	
	[L]	12W	1300lm - 108lm/W	1300lm - 108lm/W	-	700mA	17,2V *	

* +/- 8%

All the technical parameters for LED-apply to the entire module. In view of the complex manufacturing process for light emitting diodes (LED), the typical values given in this **Lighting Bible® 11 New Collection** are merely statistical values that do not necessarily correspond to the actual technical parameters of an individual product; individual products may vary from the typical values. For most accurate info, please consult: www.deltalight.com/ledspecs.pdf

All lumen values in this catalogue are related to the Led units. For more info on the lumen values of the products please visit our website www.deltalight.com

CRI 90 / 95

		2700K ●	3000K ●	4000K ●	Typical values			
CRI	LED	Power	Luminous flux @ 70°	Luminous flux @ 70°	Luminous flux @ 70°	Forw.Cur.	Forw.Volt.	
CRI > 90								
		[A]	1,1W	-	-	-	-	
			1,6W	-	-	-	-	
			2,3W	-	-	-	-	
		[B]	3,3W	ON REQUEST	ON REQUEST	-	1050mA	3,1V *
		[C]	4,1W	-	-	-	350mA	11,6V*
			6W	ON REQUEST	ON REQUEST	-	500mA	11,9V *
		[D]	7W	420lm - 60lm/W	479lm - 69lm/W	-	350mA	19,9V *
		[E]	6W	400lm - 68lm/W	427lm - 72lm/W	-	350mA	16,9V *
			9W	548lm - 63lm/W	585lm - 68lm/W	-	500mA	17,3V *
		[F]	2W	160lm - 79lm/W	172lm - 85lm/W	-	700mA	2,9V *
			3,2W	226lm - 72lm/W	243lm - 77lm/W	-	1050mA	3,0V *
		[G]	3W	281lm - 94lm/W	292lm - 97lm/W	-	350mA	8,8V *
			7W	453lm - 69lm/W	502lm - 76lm/W	-	700mA	9,4V *
		[H]	6,2W	698lm - 115lm/W	714lm - 117lm/W	774lm - 127lm/W	350mA	17V *
			9,3W	939lm - 104lm/W	960lm - 107lm/W	1041lm - 116lm/W	500mA	18,4V *
			13,4W	1212lm - 92lm/W	1240lm - 94lm/W	1344lm - 102lm/W	700mA	19,2V *
		[I]	7W	525lm - 74lm/W	566lm - 79lm/W	-	350mA	19,8V *
			10W	742lm - 71lm/W	803lm - 76lm/W	-	500mA	20,5V *
		[J]	18W	2094lm - 122lm/W	2160lm - 126lm/W	2343lm - 136lm/W	500mA	34,4V *
			19,2W	2303lm - 120lm/W	2377lm - 124lm/W	2577lm - 134lm/W	550mA	34,9V *
		21,2W	2512lm - 118lm/W	2592lm - 122lm/W	2812lm - 132lm/W	600mA	35V *	
		25W	2810lm - 113lm/W	2900lm - 117lm/W	3145lm - 127lm/W	700mA	35,5V *	
		31,5	3232lm - 103lm/W	3335lm - 106lm/W	3617lm - 115lm/W	850mA	37V *	
	[K]	33W	-	3000lm - 91lm/W	-	700mA	SYSTEM	
	[L]	11W	965lm - 88lm/W	965lm - 88lm/W	-	500mA	22V *	
CRI > 95								
		[M]	10,9W	700lm - 64lm/W	700lm - 64lm/W	700lm - 64lm/W	500mA	21V *
			13,4W	832lm - 62lm/W	832lm - 62lm/W	832lm - 62lm/W	600mA	22,4V *
		[N]	10,9W	965lm - 89lm/W	965lm - 89lm/W	965lm - 89lm/W	500mA	23,8V *
			13,3W	1130lm - 85lm/W	1130lm - 85lm/W	1130lm - 85lm/W	600mA	22,1V *
		[O]	13,6W	800lm - 59lm/W	800lm - 59lm/W	800lm - 59lm/W	500mA	27,1V *
			19,5W	1110lm - 57lm/W	1110lm - 57lm/W	1110lm - 57lm/W	700mA	27,8V *
		[P]	12W	1055lm - 88lm/W	1055lm - 88lm/W	1055lm - 88lm/W	500mA	23,8V *
			14,4W	1225lm - 85lm/W	1225lm - 85lm/W	1225lm - 85lm/W	600mA	24,1V *
			17W	1400lm - 82lm/W	1400lm - 82lm/W	1400lm - 82lm/W	700mA	24,8V *

* +/- 8%

WIRELESS CONTROL VIA MOBILE DEVICE

Delta Light introduces **Wireless Control Dimming**, enabling you to control and manage a selection of LED luminaires via mobile devices (Apple or Android).

Here you can see the New Collection luminaires which can be combined with the Wireless Control Dimming unit. Solutions are also available for other led luminaires in the Delta Light range. To see the full list and additional info please go to www.deltalight.com/wirelesscontrol

Easy to install. You don't need any new wiring, switches, devices or networks. Plug in the lighting fixture and pair it with your smartphone or tablet. No other configurations needed.

Easy to use. You can control your lights with an intuitive and visual user interface on your smartphone or tablet.

Easy to enjoy. With a tap on your smartphone you can set the ambience for study, watching a movie, or a romantic dinner. With the Casambi App you can control your luminaires singularly or in groups.

How to in 5 easy steps

1. Order your desired Wireless Control Dimming unit (not standard included with luminaire)
2. Install the Wireless Control Dimming unit
3. Download the Casambi App in the App or Play Store.
4. Find your Wireless Control Dimming unit in the Casambi app, using Bluetooth.
5. Take a picture of your room and place the light controls upon the related pictures. Now you can visually manage your luminaires directly through the picture.


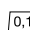
For more information and technical info please go to www.deltalight.com/wirelesscontrol

Wireless Control

WIRELESS CONTROL DIM1

300 90 004 ED1


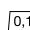
220-240V / 0,6A

  IP20

WIRELESS CONTROL DIM5

300 90 004 ED5

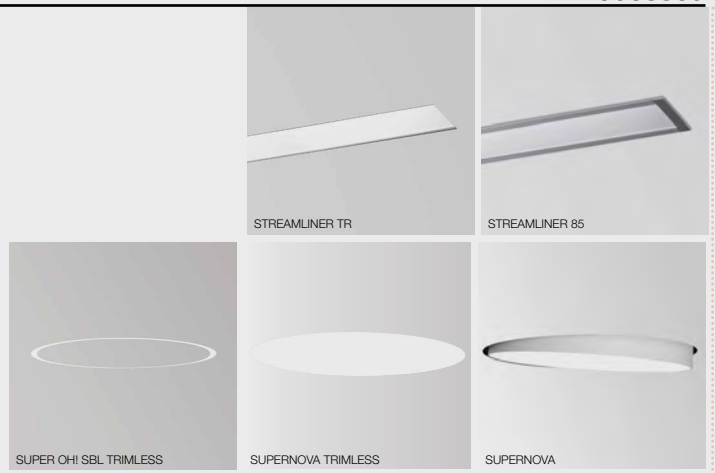
220-240V / 0,6A

  IP20





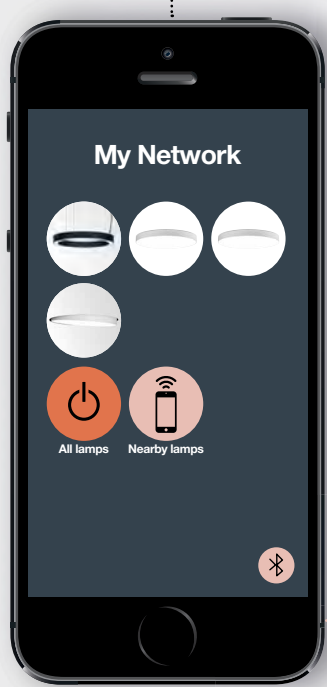
Recessed



Surface / Suspended



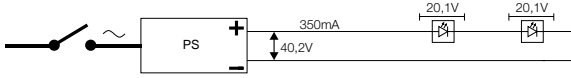
I/O



DO'S & DON'TS

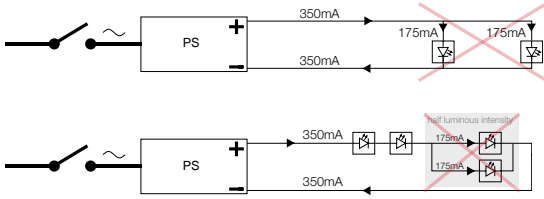
play.deltalight.com/connecteds

CORRECT CONNECTION: Serial Connection



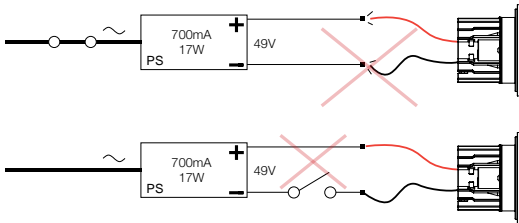
WRONG CONNECTION: Parallel Connection

Depending on the number of fixtures the LED modules will function at half (2 LED's), one third (3 LED's) the luminous intensity. Moreover, due to different forward voltages the current will not split in equal part.



WRONG CONNECTION: Testing of led modules on switched on power supply

Risk for an output voltage that exceeds the max for the LED. A power supply that is switched on has max output on the secondary side (eg. 49V). The LED in eg. a Reo 3030 is 7W works at 350mA and 20,1V. 49V is far too high for the Reo 3030 >> LED will be damaged.



WRONG POWER SUPPLY:

Question:
How many Reo (7W) luminaires can be connected to power supply 300 90 914?
7W x 4 = 28W >>> max **power** of 300 90 914 = 35W >>> **OK**
4 x 20,1V = 80,4V >>> max **voltage** of 300 90 914 = 72V >>> **NOT OK**

Answer:
3 x Reo (7W) luminaires can be connected to power supply 300 90 914

Therefore: **always consult the matrix on FOLD-OUT!**

300 90 914	
IP20	
124,5 x 79 x 22	
110-240V / 50-60Hz	
500mA / 35W / 72V	
> 0,9	
-	

REO	3
-----	---



Type	21 32 54
LED POWER SUPPLY...	350mA / 8W
	300 90 108
	IP54
Dimensions (L x W x H)	54 x 21 x 32 (min. 40)
Input	100-240V / 50-60Hz
Output	0-25V-DC
λ	0,6
DIM	-

Type

LED POWER SUPPLY...

Dimensions (L x W x H)

Input

Output

λ

DIM

Type

LED POWER SUPPLY...

Dimensions (L x W x H)

Input

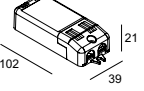
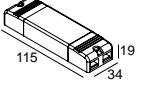
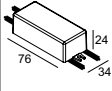
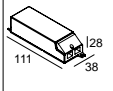
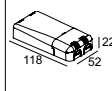
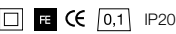
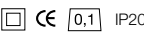
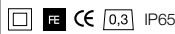
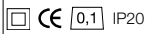

Output

λ


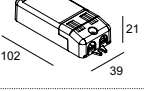
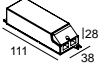
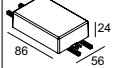
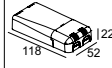
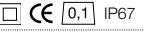

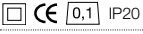


DIM

OPTIONS

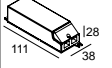

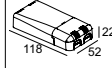
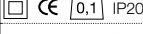
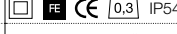

LED Power Supply 350mA-DC

				
350mA / 10W DIM8 300 90 110	350mA / 15W (110-120V: 10W) 300 90 91	350mA / 16W DIM8 300 90 3112	350mA / 17W (110-127V: 12W) 300 90 913	350mA / 18W DIM8 300 90 116
				
102 x 38 x 21 (U min. 45)	115 x 34 x 19 (U min. 38)	76 x 34 x 24 (U min. 43)	111 x 38 x 28 (U min. 46)	118 x 52 x 22 (U min. 55)
220-240V / 50-60Hz	100-240V / 50-60Hz	100-240V / 50-60Hz	110-240V / 50-60Hz	220-240V / 0/50/60Hz
12-28V-DC	0-43V-DC	17-46V-DC	0-49V-DC	25-51V-DC
> 0,9	0,54 (240V) - 0,64 (100V)	> 0,9	0,55	> 0,9
DIM8 (10-100%)	-	DIM8 (10-100%)	-	DIM8 (10-100%)

LED Power Supply 500mA-DC

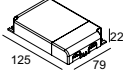

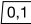

				
500mA / 6W 300 90 22 U	500mA / 10W DIM8 300 90 119	500mA / 20W (110V: 12W) 300 90 92	500mA / 32W DIM8 300 90 5120	500mA / 20W DIM8 300 90 117
				
45 x 45 x 25 (U min. 52)	102 x 38 x 21 (U min. 45)	111 x 38 x 28 (U min. 46)	86 x 56 x 24 (U min. 61)	118 x 52 x 22 (U min. 55)
120-240V / 50-60Hz	220-240V / 50/60Hz	110-240V / 50-60Hz	110-240V / 0/50/60Hz	220-240V / 0/50/60Hz
2-14V-DC	9-20V-DC	3,5-42V-DC	24-45V-DC	16-40V-DC
0,5	> 0,9	0,57	> 0,9	> 0,9
-	DIM8 (10-100%)	-	DIM8 (10-100%)	DIM8 (10-100%)

LED Power Supply 700mA-DC

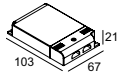

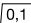

		
700mA / 17W 300 90 93	700mA / 36W DIM8 300 90 123	700mA / 20W DIM8 300 90 118
		
111 x 38 x 28 (U min. 46)	133 x 40 x 30,5 (U min. 50)	118 x 52 x 22 (U min. 55)
230-240V / 50-60Hz	220-240V / 50-60Hz	220-240V / 50-60Hz
3,5-26V-DC	4-52V-DC	16-28V-DC
0,6	0,97	> 0,9
-	DIM8 (10-100%)	DIM8 (10-100%)

OPTIONS

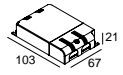

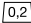

LED Power Supply Multi-Power

Type				
LED POWER SUPPLY MULTI-POWER				
	300 90 914			
	  IP20			
Dimensions (L x W x H)	124,5 x 79 x 22 (⌀ min. 82)			
Input	110-240V / 50-60Hz			
Output	350mA / 25W / 74V-DC	500mA / 35W / 72V-DC	550mA / 39W / 72V-DC	700mA / 50W / 70V-DC
	> 0,9			
DIM	-			

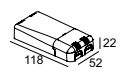


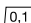

LED Power Supply Multi-Power DIM1

Type				
LED POWER SUPPLY MULTI-POWER DIM1				
	300 90 64			
	  IP20			
Dimensions (L x W x H)	103 x 67 x 21 (⌀ min. 70)			
Input	120-240V / 50-60Hz			
Output	350mA / 20W / 60V-DC	500mA / 25W / 50V-DC (120V / 15W / 30V-DC)	550mA / 25W / 50V-DC	
	> 0,9			
DIM	1-10V			

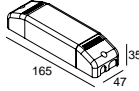

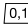

LED Power Supply Multi-Power DIM5

Type				
LED POWER SUPPLY MULTI-POWER DIM5				
	300 90 68			
	  IP20			
Dimensions (L x W x H)	103 x 67 x 21 (⌀ min. 70)			
Input	120-240V / 50-60Hz (110V: 15W)			
Output	350mA / 15W / 47V-DC	500mA / 24W / 47V-DC	550mA / 25W / 47V-DC	700mA / 32W / 46V-DC
	> 0,9			
DIM	Dali			



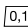

LED Power Supply Multi-Power DIM5

Type	 			
LED POWER SUPPLY MULTI-POWER DIM5				
	300 90 125			
	  IP20			
Dimensions (L x W x H)	118 x 52 x 22 (⌀ min. 55)			
Input	110-240V / 50-60Hz (110V: 15W)			
Output	350mA / 15W / 43V-DC		500mA / 20W / 40V-DC	
	> 0,9			
DIM	Dali			

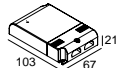

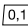

LED Power Supply Multi-Power DIM6

Type					
LED POWER SUPPLY MULTI-POWER DIM6					
	300 90 61				
	  IP20				
Dimensions (L x W x H)	165 x 47 x 35 (⌀ min. 55)				
Input	220-240V / 50-60Hz (110V: 15W)				
Output	350mA / 17W / 43V-DC	500mA / 24W / 43V-DC	700mA / 32W / 36V-DC		
	> 0,9				
DIM	Switch DIM / Falling edge DIMming (10-100%)				

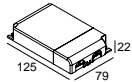

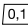

LED Power Supply Multi-Power DIM7

Type					
LED POWER SUPPLY MULTI-POWER DIM7					
	300 90 124				
	  IP20				
Dimensions (L x W x H)	118 x 52 x 22 (⌀ min. 55)				
Input	110-240V / 50-60Hz (110V: 15W)				
Output	350mA / 15W / 43V-DC	500mA / 20W / 43V-DC			
	> 0,95				
DIM	Switch DIM / 1-10V				

LED Power Supply Multi-Power DIM7

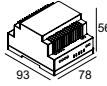

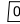

Type					
LED POWER SUPPLY MULTI-POWER DIM7					
	300 90 60				
	  IP20				
Dimensions (L x W x H)	103 x 67 x 21 (⌀ min. 70)				
Input	110-240V / 50-60Hz (110V: 15W)				
Output	350mA / 15W / 43V-DC	500mA / 20W / 43V-DC	700mA / 25W / 36V-DC		
	> 0,9				
DIM	Switch DIM / 1-10V				

LED Power Supply Multi-Power DIM9

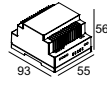

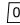

Type					
LED POWER SUPPLY MULTI-POWER DIM9					
	300 90 63				
	  IP20				
Dimensions (L x W x H)	125 x 79 x 22 (⌀ min. 82)				
Input	120-240V / 50-60Hz				
Output	350mA / 25W / 74V-DC	500mA / 35W / 72V-DC	550mA / 39W / 72V-DC	700mA / 50W / 70V-DC	1050mA / 50W / 48V-DC
	> 0,9				
DIM	Switch DIM / 1-10V / Dali				

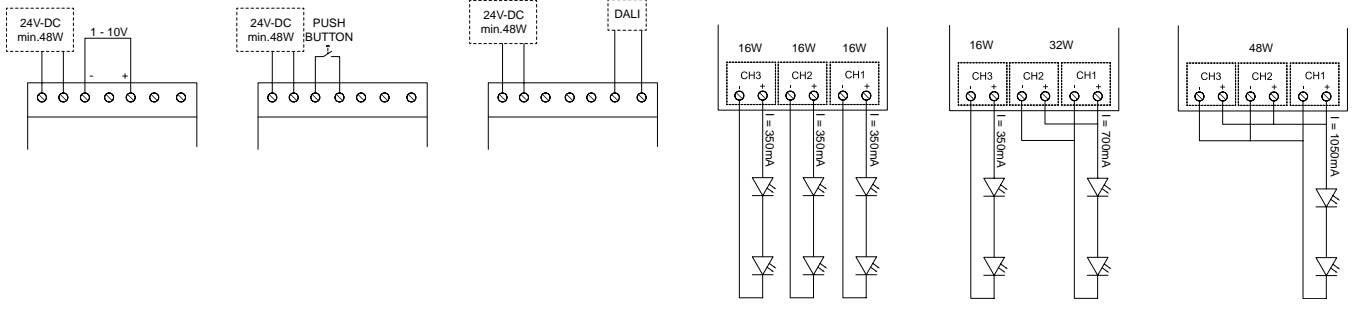
OPTIONS

LED Power Supply 24V-DC

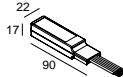

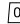
Type	
LED POWER SUPPLY 24V-DC	24V-DC / 60W 300 89 24 61
	  IP20
Dimensions (L x W x H)	93 x 78 x 56
Input	100-240V / 50-60Hz
Output	24V-DC / 60W
	> 0,8
DIM	-

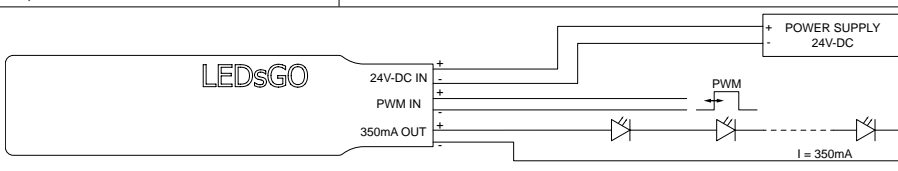
LED Power Converter 24V-DC → Multi Current / 48W DIM9

Type	
LED POWER CONVERTER 24V-DC → MULTI CURRENT / 48W DIM9	300 90 67
	  IP20
Dimensions (L x W x H)	93 x 55 x 56
Input	24V-DC
Output	350mA / 48W 700mA / 32W 1050mA / 48W
	Switch Dim / 1-10V / Dali
Dim	



LED Power Converter 24V-DC → 350mA / 15W

Type	
LED POWER CONVERTOR 24V-DC → 350mA / 15W	24V-DC / 15W 300 2415 350
	  IP20
Dimensions (L x W x H)	90 x 22 x 17 (min. 30)
Input	24V-DC (min. 15W)
Output	350mA-DC / 15W

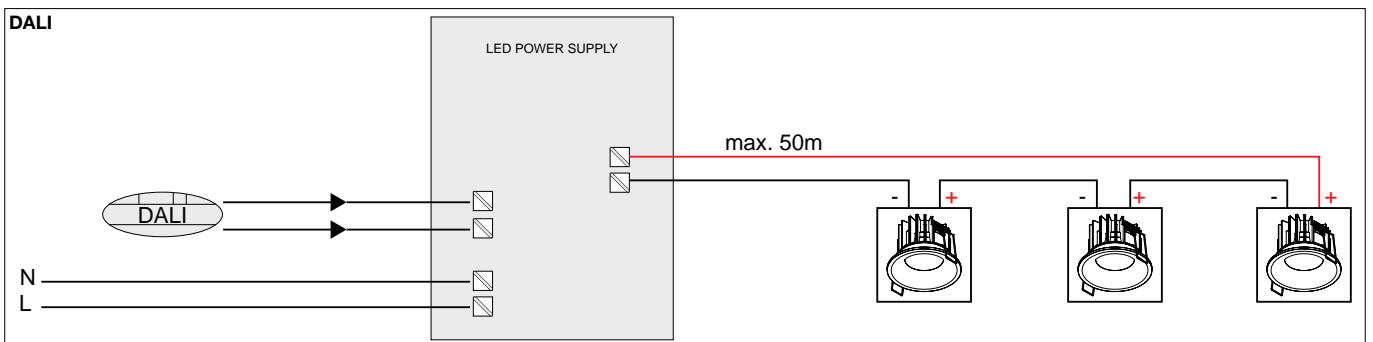
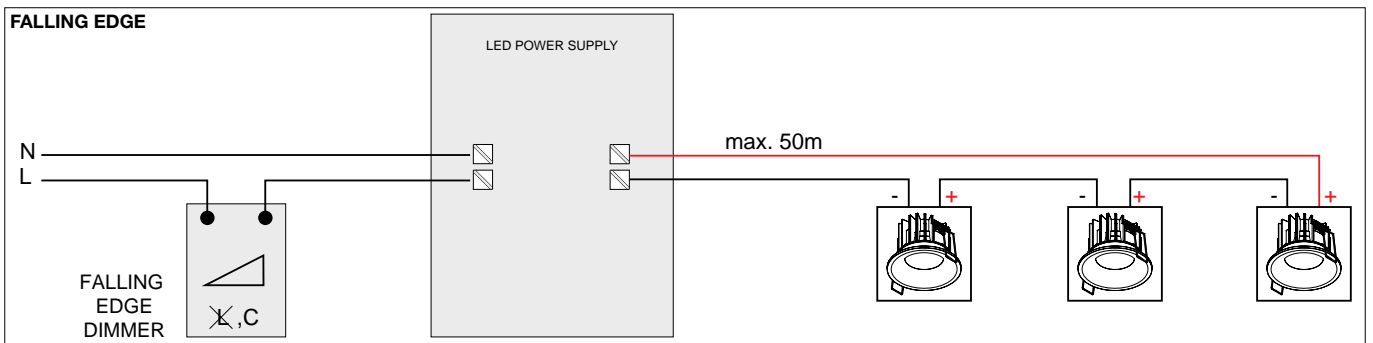
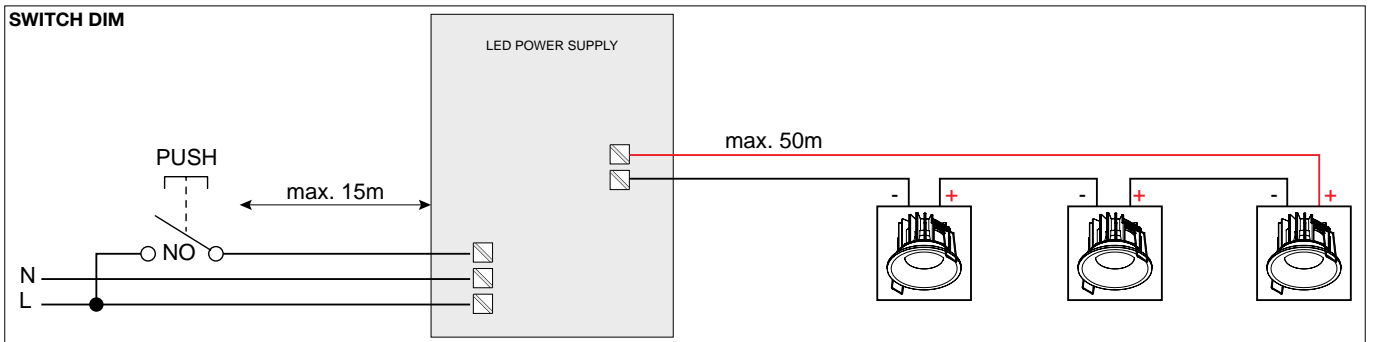
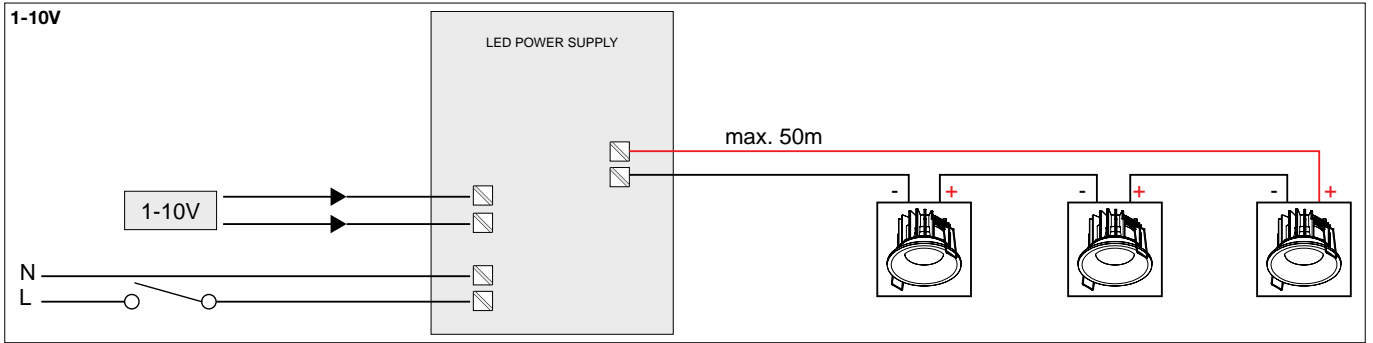


tech

play.detalight.com/dimleds

DIMmable LED Power Supply - Installation Scheme

- DIM1:** 1-10V
- DIM6:** SWITCH DIM
- DIM7:** 1-10V + SWITCH DIM
- DIM8:** FALLING EDGE DIMMING
- DIM9:** 1-10V + SWITCH DIM + DALI

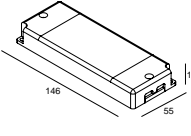
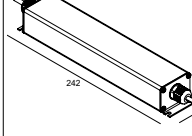
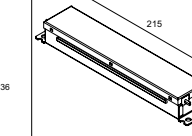
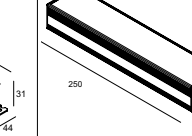
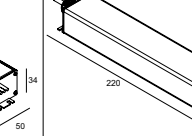













tech

OPTIONS



LED Power Supply 24V-DC

Type					
LED POWER SUPPLY...	24V-DC / 20W	24V-DC / 40W	24V-DC / 60W	24V-DC / 80W	24V-DC / 150W
	300 89 24 20	300 89 24 40	300 89 24 60	300 89 24 80	300 89 24 150
	  IP20	  IP67	  IP67	  IP67	  IP20
Dimensions (L x W x H)	146 x 55 x 19	242 x 46 x 36	215 x 44 x 31	250 x 50 x 34	220 x 60 x 36
Input	110-240V / 50-60Hz	100-240V / 50-60Hz	120-240V / 50-60Hz	220-240V / 50-60Hz	220-240V / 50-60Hz
Output	24V-DC / 20W (110V: 10W)	24V-DC / 40W	24V-DC / 60W	24V-DC / 80W	24V-DC / 150W
	0,55	> 0,95	0,99	> 0,90	0,98
DIM	-	-	-	DIM 1	-

LEDSTRIP

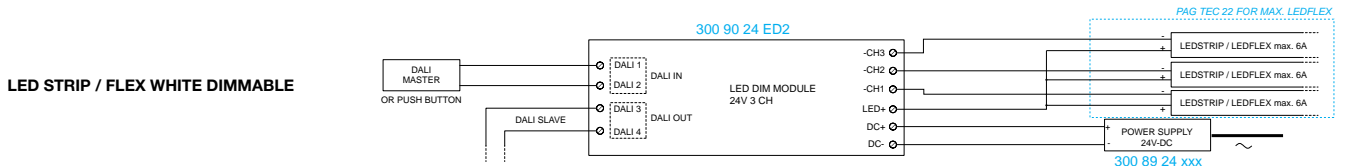
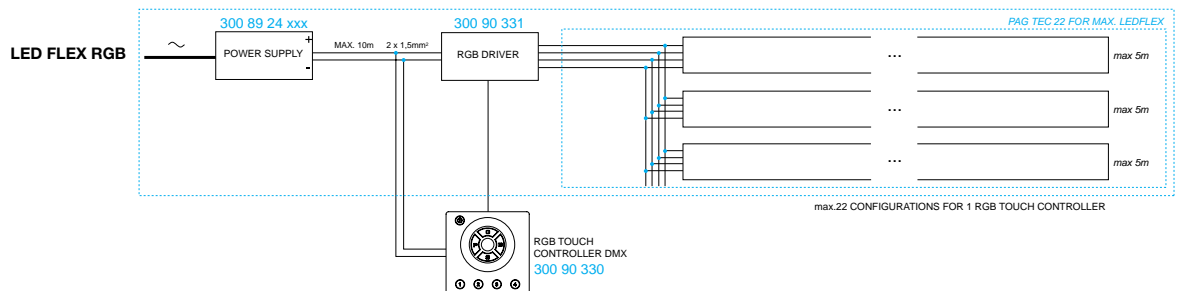
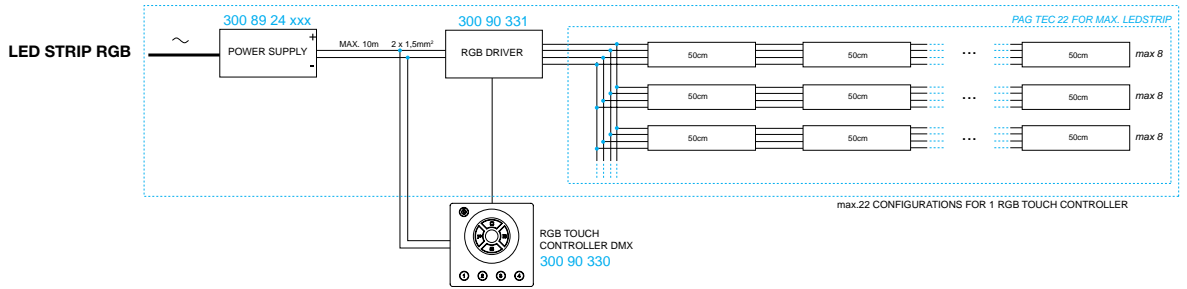
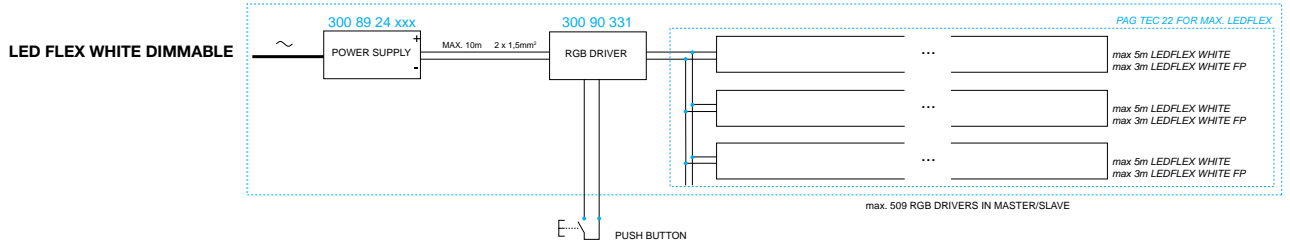
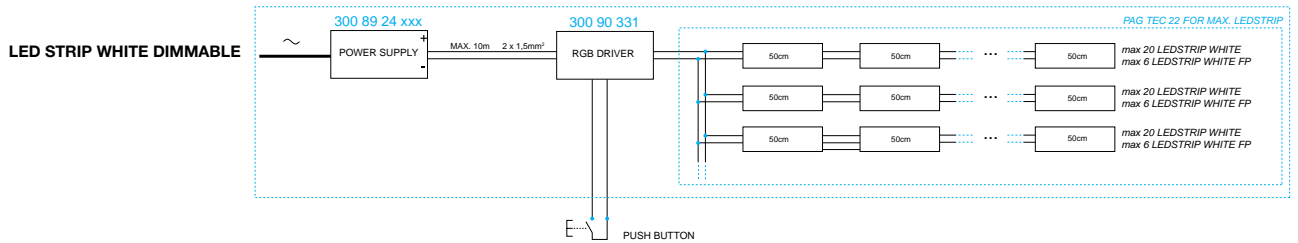
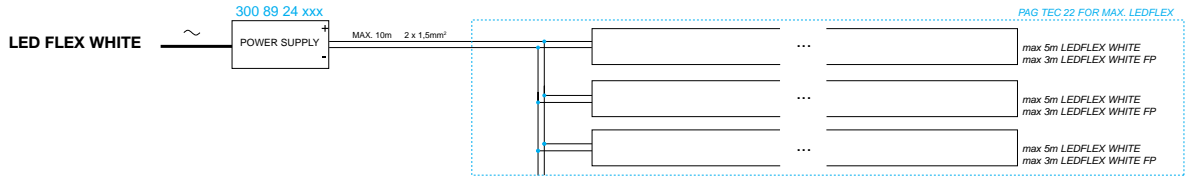
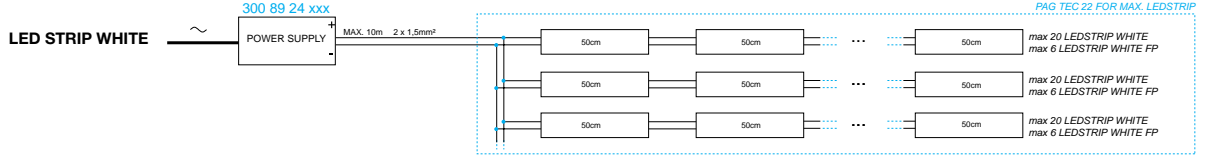
LEDSTRIP xx F NW	max. 6 (3)	max. 13	max. 20	max. 26 (max. 20/powerline)	max. 50 (max. 20/powerline)
LEDSTRIP xx F WW	max. 6 (3)	max. 13	max. 20	max. 26 (max. 20/powerline)	max. 50 (max. 20/powerline)
LEDSTRIP xx F HW	max. 6 (3)	max. 13	max. 20	max. 26 (max. 20/powerline)	max. 50 (max. 20/powerline)
LEDSTRIP xx FP NW	max. 2 (1)	max. 4	max. 6	max. 8 (max. 6/powerline)	max. 15 (max. 6/powerline)
LEDSTRIP xx FP WW	max. 2 (1)	max. 4	max. 6	max. 8 (max. 6/powerline)	max. 15 (max. 6/powerline)
LEDSTRIP xx FP HW	max. 2 (1)	max. 4	max. 6	max. 8 (max. 6/powerline)	max. 15 (max. 6/powerline)
LEDSTRIP xx RGB	max. 2 * (1)	max. 5 *	max. 7 *	-	max. 18 *
LEDSTRIP 50 F NW	max. 6 (3)	max. 13	max. 20	max. 26 (max. 20/powerline)	max. 50 (max. 20/powerline)
LEDSTRIP 50 F WW	max. 6 (3)	max. 13	max. 20	max. 26 (max. 20/powerline)	max. 50 (max. 20/powerline)
LEDSTRIP 50 F HW	max. 6 (3)	max. 13	max. 20	max. 26 (max. 20/powerline)	max. 50 (max. 20/powerline)
LEDSTRIP 50 FP NW	max. 2 (1)	max. 4	max. 6	max. 8 (max. 6/powerline)	max. 15 (max. 6/powerline)
LEDSTRIP 50 FP WW	max. 2 (1)	max. 4	max. 6	max. 8 (max. 6/powerline)	max. 15 (max. 6/powerline)
LEDSTRIP 50 FP HW	max. 2 (1)	max. 4	max. 6	max. 8 (max. 6/powerline)	max. 15 (max. 6/powerline)
LEDSTRIP 50 RGB	max. 2 * (1)	max. 5 *	max. 7 *	-	max. 18

LEDFLEX

LEDFLEX IN NW	max. 4m (2m)	max. 8m (max. 5m/powerline)	max. 12m (max. 5m/powerline)	max. 16m (max. 5m/powerline)	max. 30m (max. 5m/powerline)
LEDFLEX IN WW	max. 4m (2m)	max. 8m (max. 5m/powerline)	max. 12m (max. 5m/powerline)	max. 16m (max. 5m/powerline)	max. 30m (max. 5m/powerline)
LEDFLEX IN HW	max. 4m (2m)	max. 8m (max. 5m/powerline)	max. 12m (max. 5m/powerline)	max. 16m (max. 5m/powerline)	max. 30m (max. 5m/powerline)
LEDFLEX IN FP NW	max. 1m (0,5m)	max. 2,5m	max. 4m (max. 3m/powerline)	max. 5m (max. 3m/powerline)	max. 10m (max. 3m/powerline)
LEDFLEX IN FP WW	max. 1m (0,5m)	max. 2,5m	max. 4m (max. 3m/powerline)	max. 5m (max. 3m/powerline)	max. 10m (max. 3m/powerline)
LEDFLEX IN FP HW	max. 1m (0,5m)	max. 2,5m	max. 4m (max. 3m/powerline)	max. 5m (max. 3m/powerline)	max. 10m (max. 3m/powerline)
LEDFLEX IN RGB	max. 2,4m * (1,2m)	max. 5m *	max. 7,36m *	-	max. 18,72m *
LEDFLEX OUT NW	max. 4m (2m)	max. 8m (max. 5m/powerline)	max. 12m (max. 5m/powerline)	max. 16m (max. 5m/powerline)	max. 30m (max. 5m/powerline)
LEDFLEX OUT WW	max. 4m (2m)	max. 8m (max. 5m/powerline)	max. 12m (max. 5m/powerline)	max. 16m (max. 5m/powerline)	max. 30m (max. 5m/powerline)
LEDFLEX OUT HW	max. 4m (2m)	max. 8m (max. 5m/powerline)	max. 12m (max. 5m/powerline)	max. 16m (max. 5m/powerline)	max. 30m (max. 5m/powerline)
LEDFLEX OUT FP NW	max. 1m (0,5m)	max. 2,5m	max. 4m (max. 3m/powerline)	max. 5m (max. 3m/powerline)	max. 10m (max. 3m/powerline)
LEDFLEX OUT FP WW	max. 1m (0,5m)	max. 2,5m	max. 4m (max. 3m/powerline)	max. 5m (max. 3m/powerline)	max. 10m (max. 3m/powerline)
LEDFLEX OUT FP HW	max. 1m (0,5m)	max. 2,5m	max. 4m (max. 3m/powerline)	max. 5m (max. 3m/powerline)	max. 10m (max. 3m/powerline)
LEDFLEX OUT RGB	max. 2,4m * (1,2m)	max. 5m *	max. 7,36m *	-	max. 18,72m *
LEDFLEX IN NW 5m	max. 4m (2m)	max. 8m (max. 5m/powerline)	max. 12m (max. 5m/powerline)	max. 16m (max. 5m/powerline)	max. 30m (max. 5m/powerline)
LEDFLEX IN WW 5m	max. 4m (2m)	max. 8m (max. 5m/powerline)	max. 12m (max. 5m/powerline)	max. 16m (max. 5m/powerline)	max. 30m (max. 5m/powerline)
LEDFLEX IN HW 5m	max. 4m (2m)	max. 8m (max. 5m/powerline)	max. 12m (max. 5m/powerline)	max. 16m (max. 5m/powerline)	max. 30m (max. 5m/powerline)
LEDFLEX IN FP NW 5m	max. 1m (0,5m)	max. 2,5m	max. 4m (max. 3m/powerline)	max. 5m (max. 3m/powerline)	max. 10m (max. 3m/powerline)
LEDFLEX IN FP WW 5m	max. 1m (0,5m)	max. 2,5m	max. 4m (max. 3m/powerline)	max. 5m (max. 3m/powerline)	max. 10m (max. 3m/powerline)
LEDFLEX IN FP HW 5m	max. 1m (0,5m)	max. 2,5m	max. 4m (max. 3m/powerline)	max. 5m (max. 3m/powerline)	max. 10m (max. 3m/powerline)
LEDFLEX IN HP WW 5m	max. 0,9m (0,4m)	max. 1,8m	max. 2,7m	max. 3,6m (max. 3m/powerline)	max. 6,9m (max. 3m/powerline)
LEDFLEX IN HP HW 5m	max. 0,9m (0,4m)	max. 1,8m	max. 2,7m	max. 3,6m (max. 3m/powerline)	max. 6,9m (max. 3m/powerline)
LEDFLEX IN RGB 5m	max. 2,4m * (1,2m)	max. 5m *	max. 7,36m *	-	max. 18,72m *
LEDFLEX OUT NW 5m	max. 4m (2m)	max. 8m (max. 5m/powerline)	max. 12m (max. 5m/powerline)	max. 16m (max. 5m/powerline)	max. 30m (max. 5m/powerline)
LEDFLEX OUT WW 5m	max. 4m (2m)	max. 8m (max. 5m/powerline)	max. 12m (max. 5m/powerline)	max. 16m (max. 5m/powerline)	max. 30m (max. 5m/powerline)
LEDFLEX OUT HW 5m	max. 4m (2m)	max. 8m (max. 5m/powerline)	max. 12m (max. 5m/powerline)	max. 16m (max. 5m/powerline)	max. 30m (max. 5m/powerline)
LEDFLEX OUT FP NW 5m	max. 1m (0,5m)	max. 2,5m	max. 4m (max. 3m/powerline)	max. 5m (max. 3m/powerline)	max. 10m (max. 3m/powerline)
LEDFLEX OUT FP WW 5m	max. 1m (0,5m)	max. 2,5m	max. 4m (max. 3m/powerline)	max. 5m (max. 3m/powerline)	max. 10m (max. 3m/powerline)
LEDFLEX OUT FP HW 5m	max. 1m (0,5m)	max. 2,5m	max. 4m (max. 3m/powerline)	max. 5m (max. 3m/powerline)	max. 10m (max. 3m/powerline)
LEDFLEX OUT RGB 5m	max. 2,4m * (1,2m)	max. 5m *	max. 7,36m *	-	max. 18,72m *

* Use in combination with RGB Driver

LED Power Supply 24V-DC - Installation Scheme



OPTIONS

LED Dimmodule 24V

LED DIMMODULE 24V / 3CH / 6A DIM2

300 90 24 ED2

EXCL. POWER SUPPLY 12V-DC / 24V-DC

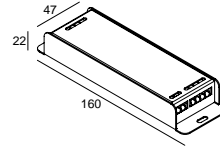
INPUT 12/24V-DC - OUTPUT MAX 432W / 18A (3 CHANNELS OF 6A)

FOR LEDSTRIP / LEDFLEX W

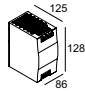

DIMMING BY DALI / SWITCH DIM

IP20

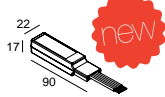
INSTALLATION SCHEME: TEC19

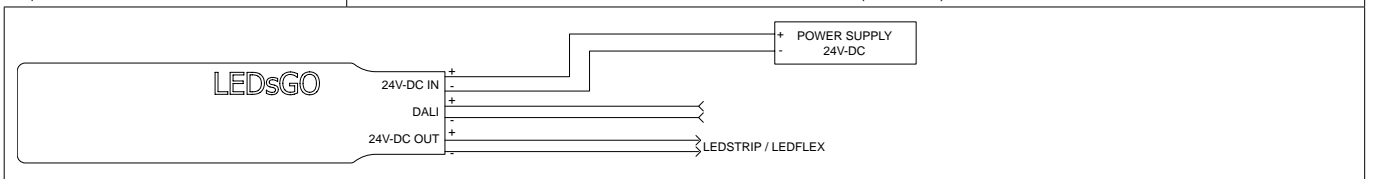


LED Power Supply 24V-DC / 480W

Type	
LED POWER SUPPLY 24V-DC	24V-DC / 480W
	300 89 24 480
	IP20
Dimensions (L x W x H)	86 x 125 x 128
Input	100-240V / 50-60Hz
Output	24V-DC / 480W
	0,9
DIM	-

24V-DC DIM5 UNIT

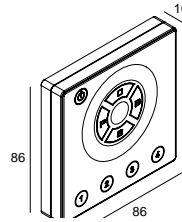
Type	
DIM UNIT	24V-DC / 5A DIM5
	300 90 003 ED5
	IP20
Dimensions (L x W x H)	90 x 22 x 17 (min. 30)
Input	24V-DC
Output	24V-DC / 5A (max.120W)



RGB Touch Controller DMX

RGB TOUCH CONTROLLER DMX
300 90 330
 EXCL. POWER SUPPLY 12V-DC / 24V-DC
 DUAL MODE STATIC / DYNAMIC
 INPUT 12V-DC / 24V-DC - DMX OUT

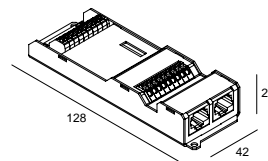
CE 0,1 IP20



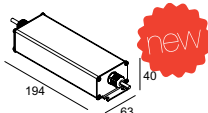
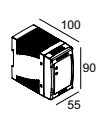
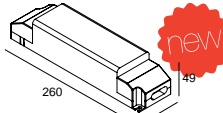
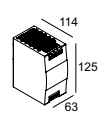
RGB Driver

RGB DRIVER
300 90 331
 EXCL. POWER SUPPLY 12V-DC / 24V-DC
 INPUT 12V-DC - OUTPUT RGB 75W
 INPUT 24V-DC - OUTPUT RGB 150W
 FOR COMMON ANODE RGB LEDSTRIP / LEDFLEX
 DUAL MODE DMX / STAND ALONE

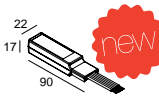
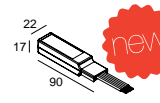
CE 0,1 IP20

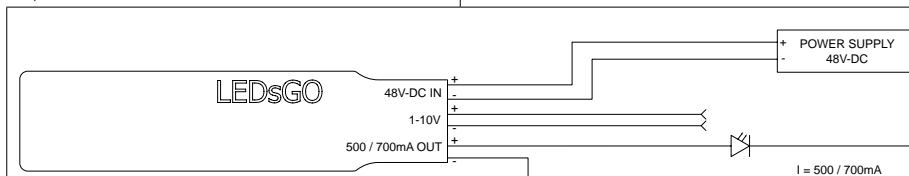


LED Power Supply 48V-DC

Type				
	LED POWER SUPPLY 48V-DC / 90W	LED POWER SUPPLY 48V-DC / 100W	LED POWER SUPPLY 48V-DC / 150W	LED POWER SUPPLY 48V-DC / 240W
	300 89 48 90	300 89 48 100	300 89 48 150	300 89 48 240
	CE 0,6 IP66	CE 0,4 IP20	CE 0,3 IP20	CE 1,0 IP20
DIMensions (L x W x H)	184 x 63 x 40	55 x 90 x 100	240 x 60 x 49	63 x 125 x 114
Input	115-230V / 50-60Hz	100-240V / 50-60Hz	220-240V / 50-60Hz	100-240V / 50-60Hz
Output	48V-DC / 90W	48V-DC / 100W	48V-DC / 150W	48V-DC / 240W
λ	> 0,92	> 0,93	> 0,93	> 0,93
DIM	-	-	-	-

LED Power Converter 48V-DC

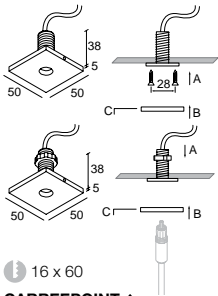
Type		
LED POWER CONVERTOR	48V-DC -> 500mA / 22W DIM1	48V-DC -> 700mA / 25W DIM1
	300 48 500 ED1	300 48 700 ED1
	CE 0,1 IP20	CE 0,1 IP20
Dimensions (L x W x H)	90 x 22 x 17 (min. 30)	90 x 22 x 17 (min. 30)
Input	48V-DC	48V-DC
Output	500mA-DC / 22W	700mA-DC / 25W



tech

OPTIONS

Carreepoint

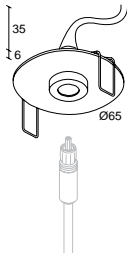


16 x 60

CARREEPOINT ◇
203 10 02 ◇
 ◇ = A / W
 EXCL. 1 x JAC ****
 12V / EXCL.TRANSFO

◇ 0,1 IP20

Daxpoint



58 x 45 max.12

DAXPOINT ◇
203 10 03 ◇
 ◇ = A / B / W
 EXCL. 1 x JAC ****
 12V / EXCL.TRANSFO

◇ 0,1 IP20

Deltapoint Single

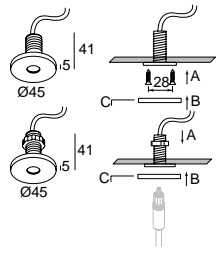


68 x 50 max.35

DELTAPOINT SINGLE ◇
203 20 01 ◇
 ◇ = A / W
 EXCL. 1 x JAC ****
 12V / EXCL.TRANSFO

◇ 0,1 IP20

Flatpoint

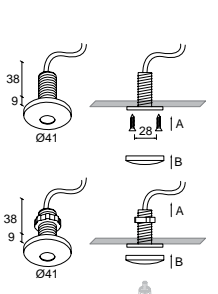


16 x 60

FLATPOINT ◇
203 10 06 ◇
 ◇ = ALU / W
 EXCL. 1 x JAC ****
 12V / EXCL.TRANSFO

◇ 0,1 IP20

Jackpoint

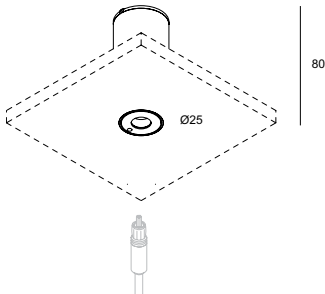


16 x 60

JACKPOINT ◇
203 10 01 ◇
 ◇ = A / B / W
 EXCL. 1 x JAC ****
 12V / EXCL.TRANSFO

◇ 0,1 IP20

Jackpoint trimless

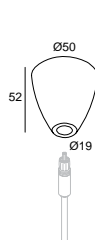


62 x 80 9 or 12
 102 x 80 (CONCRETE)

JACKPOINT TRIMLESS O.F.A.
328 10 04
 EXCL. 1 x JAC ****
 12V / EXCL.TRANSFO

◇ 0,3 IP20

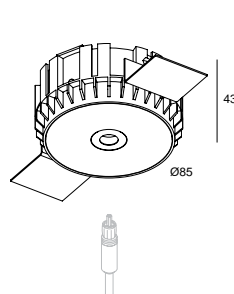
Sax 1



SAX 1 ◇
203 10 15 ◇
 ◇ = A / W
 EXCL. 1 x JAC ****

◇ 0,1 IP20

Setpoint

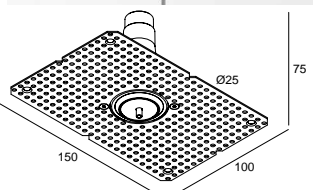


105 x 75 max.22

SETPOINT ◇
203 10 27 ◇
 ◇ = PRIM
 EXCL. 1 x JAC ****
 12V / EXCL.TRANSFO

◇ 0,3 IP20

Suspension trimless



62 x 80 9 or 12
102 x 80 (CONCRETE)

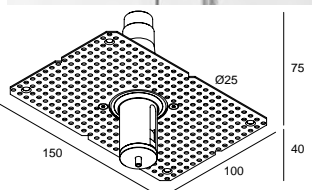
SUSPENSION TRIMLESS O.F.A.
328 10 01

INCL. 1 x AUTOMATIC ADJUSTMENT

0,2

play.deltalight.com/suspensiontrimlessconcrete
play.deltalight.com/suspensiontrimlessplasterboard

Suspension + Connection Trimless



62 x 80 9 or 12
102 x 80 (CONCRETE)

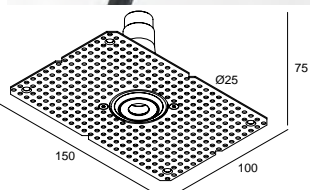
SUSPENSION + CONNECTION TRIMLESS O.F.A.
328 10 02

INCL. 1 x CONNECTOR max. 3x 2,5 mm²
INCL. 1 x AUTOMATIC ADJUSTMENT
4A / 250V

0,2

play.deltalight.com/suspensiontrimlessconcrete
play.deltalight.com/suspensiontrimlessplasterboard

Connection trimless



62 x 80 9 or 12
102 x 80 (CONCRETE)

CONNECTION TRIMLESS O.F.A.
328 10 03

INCL. 1 x CONNECTOR max. 3x 2,5 mm²
4A / 250V

0,2

play.deltalight.com/suspensiontrimlessconcrete
play.deltalight.com/suspensiontrimlessplasterboard

Cable Base R

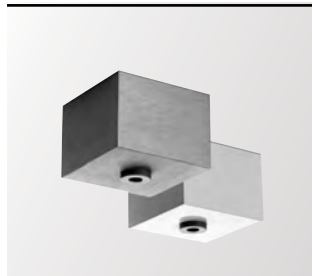


CABLE BASE R ◇
203 99 55 ◇
◇ = ANO / B / W

0,1

OPTIONS
COVERSET R 62-90-100

Cable Base S

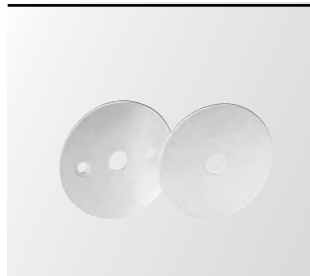


CABLE BASE S ◇
203 99 56 ◇
◇ = ANO / B / W

0,1

OPTIONS
COVERSET S 62-80-90

Coverset R



COVERSET R 100 ◇
204 00 100 ◇

COVERSET R 62 ◇
204 00 62 ◇

COVERSET R 90 ◇
204 00 90 ◇

◇ = ANO / B / W

0,1

Coverset S



COVERSET S 62 ◇
204 62 62 ◇


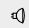





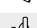




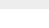

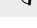







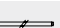



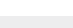


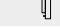
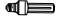
COVERSET S 80 ◇
204 80 80 ◇

































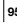


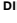







COVERSET S 90 ◇
204 90 90 ◇

◇ = ANO / B / W

0,1

Lamp Index

LIGHTSOURCE	LAMP	FITTING	VOLTAGE	OUTPUT (W)
	A60	E27Ls	100-240V / 50-60Hz	15-25-40-60
	QR-CBC35	G4	12V	20-35
	QR-51 ALU	GX5.3	12V	20-35-50
	QR-C51	GX5.3	12V	20-35-50
	QR-CBC51	GX5.3	12V	20-35-50
	QR-CB51	GX5.3	12V	20-35-50
	QR-LP70	BA15d	12V	20-50
	QR-LP111	G53	12V	35-50-75-100
	QT9	G4	12V	5-10-20
	QT14	G9	100-240V / 50-60Hz	25-40-60
	QT32	E27Ls	100-240V / 50-60Hz	70
	QT-DE12	R7s	100-240V / 50-60Hz	150
	QT-DE12s	R7s	100-240V / 50-60Hz	100-150
	QPAR51	GU10	100-240V / 50-60Hz	35-50
	HIT-TC	G8.5	220-240V / 50-60Hz	35-50-70
	HIT-TC CE	PGJ5	220-240V / 50-60Hz	20
	HIT	G12	220-240V / 50-60Hz	35-70-150
	HIPAR51	GX10	220-240V / 50-60Hz	20-35
	HIPAR20	E27Hs	220-240V / 50-60Hz	35
	HIPAR30	E27Hs	220-240V / 50-60Hz	35-70
	HIR-CE111	GX8.5	220-240V / 50-60Hz	35-70
	T16	G5	220-240V / 50-60Hz	8 14-21-28-35 24-39-49-54-80
	T16-S	G5	220-240V / 50-60Hz	14-21-28 24-39-54
	T16-R	2GX13	220-240V / 50-60Hz	55-80
	TC-DEL	G24q-1 G24q-2 G24q-3	220-240V / 50-60Hz	18 26
	TC-TEL	GX24q-2 GX24q-3 GX24q-4	220-240V / 50-60Hz	18 32
	TC-L	2G11	220-240V / 50-60Hz	24-36-55
	T2-MLF	GX53	220-240V / 50-60Hz	9
	TC-TSE	E27Ls	100-240V / 50-60Hz	15-20-23
	TCA-SE	E27Ls	100-240V / 50-60Hz	5-7-10-15-20-23
	TC-SB	E27Ls	100-240V / 50-60Hz	9-12-16

						
 A ALU ANO B C G GALVANISED INOX M N MMAT SG PRIM RAL W	KLEUR ALU GRIJS ALUMINIUM GEANODISEERD ALU ZWART RAL 9005 CHROOM GRIJS BRUIN GEGALVANISEERD ROESTVRIJ STAAL VERGULD DONKERGRIJS VERGULD MAT ZILVERGRIJS GRONDLAAG KLEUR RAL WIT RAL 9003	COULEUR ALU GRIJS ALUMINIUM ALU ANODISE NOIR RAL 9005 CHROME GRIS BRUN GALVANISÉ ACIER INOXYDABLE DORE GRIS FONCE LAITON DEPOLI GRIS ARGENTÉ APPRET COULEUR RAL BLANC RAL 9003	COLOUR ALU GREY ALUMINIUM ALU ANODISED BLACK RAL 9005 CHROMED GREY BROWN GALVANISED STAINLESS STEEL GOLD DARK GREY GOLD MAT SILVER GREY PRIMER COLOUR RAL WHITE RAL 9003	FARBE ALU GRAU ALUMINIUM ALU ELOXIERT SCHWARZ RAL 9005 CHROM GRAU BRAUN GALVANISIERT ROSTFREIER STAHL VERGOLDET DUNKELGRAU VERGOLDET MAT SILBER GRAU GRUNDIERUNG FARBE RAL WEISS RAL 9003	COLOR ALU GRIS ALUMINIO ALU ANODIZADO NEGRO RAL 9005 CROMO GRIS MARRON GALVANIZADO ACERO INOXIDABLE ORO GRIS OSCURO ORO MATE GRIS PLATEADO PINTURA DE FONDO COLOR RAL BLANCO RAL 9003	COLORE ALU GRIGIO ALUMINIO ALU ANODIZZATO NERO RAL 9005 CROMATO GRIGIO BRUNO GALVANIZZATO ACCIAIO INOSSIDABILE ORO GRIGIO SCURO ORO OPAGO GRIGIO ARGENTO MESTICA COLORE RAL BIANCO RAL 9003
	SCHILDEREN VEREIST	PEINTURE DE FINITION REQUISE	PAINT FINISH REQUIRED	LACKIERUNG ERFORDERLICH	ACABADO DE PINTURA NECESARIO	NECESSITA DI FINITURA
	TOESTEL KLASSE 1	APPAREIL CLASSE 1	FIXTURE CLASS 1	GERÄT KLASSE 1	APARATO CLASE 1	APPARECCHIO CLASSE 1
	TOESTEL KLASSE 2	APPAREIL CLASSE 2	FIXTURE CLASS 2	GERÄT KLASSE 2	APARATO CLASE 2	APPARECCHIO CLASSE 2
	TOESTEL KLASSE 3	APPAREIL CLASSE 3	FIXTURE CLASS 3	GERÄT KLASSE 3	APARATO CLASE 3	APPARECCHIO CLASSE 3
	NORM 01.96 EMC 89 / 336 / EEC	NORM 01.97. LV 73 / 23 / EEC				
	NETTO GEWICHT KG	POIDS NET KG	NET WEIGHT KG	NETTO GEWICHT KG	PESO NETO KG	PESO NETTO KG
	BESCHERMINGSINDICATIE	INDICE DE PROTECTION	PROTECTION LEVEL	SCHUTZKLASSE	CLASE DE PROTECCIÓN	CLASSE DI PROTEZIONE
	RONDE OPENING DIAMETER x MIN. INBOUWDEPTTE	DECOUPE RONDE DIAMETRE x PROFONDEUR NECESSAIRE POUR ENCASTREMENT	ROUND OPENING DIAMETER x MIN. DEPTH FOR RECESSING	RUNDE ÖFFNUNG DIAMETER x MIN. TIEFE FÜR EINBAU	ABERTURA REDONDA DIAMETRO x DISTANCIA MINIMA DE EMPOTRAMIENTO	FORO TONDO DIAMETRO x SPESSORE MINIMO RICHIESTO PER L'INCASSO
	RECHTHOEKIGE OPENING LENGTE x BREEDTE x MIN. INBOUWDEPTTE	DECOUPE RECTANGULAIRE LO x LA x PFD. NECESSAIRE POUR ENCASTREMENT	RECTANGULAR OPENING LENGTH x WIDTH x MINIMUM DEPTH FOR RECESSING	RECHTECKIGE ÖFFNUNG LÄNGE x BREITE x MINIMUM TIEFE EINBAU	ABERTURA RECTANGULAR LARGO x ANCHO x DISTANCIA MINIMA DE EMPOTRAMIENTO	FORO RETTANGOLARE LUNGHEZZA x LARGHEZZA x SPESSORE MINIMO RICHIESTO PER L'INCASSO
	MAX. DIKTE MONTAGEOPPERVLAK	EPAISSEUR MAX.DE LA SURFACE DE MONTAGE	MAX.THICKNESS OF THE MOUNTING SURFACE	MAXIMALE STÄRKE DER BEFESTIGUNGSFLÄCHE	ESPESOR MÁXIMO DE LA SUPERFICIE DE MONTAJE	SPESSORE MASSIMO DELLA SUPERFICIE DI MONTAGGIO
	MIN. AFSTAND (M) LAMP - OBJECT	DISTANCE MIN. (M) AMPOULE - OBJET	MIN. DISTANCE (M) LAMP - OBJECT	MIN. DISTANZ (M) LAMP - OBJEKT	DISTANCIA MINIMA (M) LÁMPARA - OBJETO	DISTANZA MIN. (M) LAMPADA - OGGETTO
	BEVESTIGING VLOER - WAND - PLAFOND OPBOUW	MONTAGE SOL - MUR - PLAFOND APPLIQUE	FIXATION FLOOR - WALL - CEILING SURFACE MOUNTED	MONTAGE BODEN - WAND - DECKE AUFGEBAUT	MONTAJE SUELO - PARED- TECHO MONTADO AL SUPERFICIE	MONTAGGIO PAVIMENTO-PARETE - SOFFITTO MONTATO A SUPERFICIE
	BEVESTIGING VLOER - WAND - PLAFOND INBOUW	MONTAGE SOL - MUR - PLAFOND ENCASTRE	FIXATION FLOOR - WALL - CEILING RECESSED	MONTAGE BODEN - WAND - DECKE EINGEBAUT	MONTAJE SUELO - PARED-TECHO EMPOTRAADO	MONTAGGIO PAVIMENTO-PARETE - SOFFITTO-INCASSO
	BEVESTIGING PLAFOND GEPENDELD	MONTAGE PLAFOND SUSPENDU	FIXATION CEILING SUSPENDED	MONTAGE DECKE GEPENDELT	MONTAJE TECHO SUSPENDIDO	MONTAGGIO SOFFITTO SOSPESO
	STAND ALONE	STAND ALONE	STAND ALONE	STAND ALONE	STAND ALONE	STAND ALONE
	GESCHIKT VOOR BINNEN- EN BUITENGEBRUIK	CONVIENT A USAGE INTERIEUR ET EXTERIEUR	SUITABLE FOR INDOOR AND OUTDOOR USE	EIGNET SICH FÜR INNEN- UND AUßENBEREICH	APTO PARA USO INTERIOR Y EXTERIOR	PER UTILIZZO SIA IN INTERNI CHE DA ESTERNI
	VEREN VOOR HOLLE WAND	RESSORTS PRECONISES POUR FAUX-PLAFONDS	SPRINGS FOR HOLLOW SURFACES	FEDERN FÜR HOHL RAUMDECKE	MUELLES PARA UTILIZAR EN FALSOS TECHOS DE ESCAYOLA Y PLADUR	SISTEMA DI FISSAGGIO PER CONTROLLO SOFFITTI IN LASTRE O PANNELLI
	VEREN VOOR VOLLE WAND	RESSORTS PRECONISES POUR PLAFONDS STANDARDS	SPRINGS FOR SOLID SURFACES	FEDERN FÜR VOLL MATERIAL	MUELLES PARA UTILIZAR EN HORMIGON	SISTEMA DI FISSAGGIO PER VANI CHIUSI REALIZZATI NELLA MURATURA
	LAAGLUMINANTIERASTER	DIFFUSEUR ANTI - REFLETS SPECIAL INFORMATIQUE	CATEGORY II LOUVER	BAP RASTER	REFLECTOR DE BAJA LUMINANCIA	RIFLETTORE A BASSA LUMINENZA
	ELEKTRONISCHE TRANSFORMATOR	TRANSFORMATEUR ELECTRONIQUE	ELECTRONIC TRANSFORMER	ELEKTRONISCHER TRANSFORMATOR	TRANSFORMADOR ELECTRÓNICO	TRASFORMATOR E ELETTRONICO
	EXCL.TRANSFORMATOR	EXCL.TRANSFORMATEUR	EXCL.TRANSFORMER	EXKL.TRANSFORMATOR	EXCL.TRANSFORMADOR	ESCL.TRASFORMATORE
	ELEKTRONISCHE VOORSCHAKELAPPARATUUR	BALLAST ELECTRONIQUE	ELECTRONIC BALLAST	ELEKTRONISCHES VORSCHALTGERÄT	BALASTRO ELECTRONICO	REATTORE ELETTRONICO
	DIMBAAR ELEKTRONISCHE VOORSCHAKELAPPARATUUR	BALLAST ELECTRONIQUE DIMMABLE	ELECTRONIC DIMMABLE BALLAST	ELEKTRONISCHES DIMBARES VORSCHALTGERÄT	BALASTRO ELECTRONICO REGULABLE	REATTORE ELETTRONICO DIMMERABILE
	LAMBDA = 0,9	LAMBDA = 0,9	LAMBDA = 0,9	LAMBDA = 0,9	LAMBDA = 0,9	LAMBDA = 0,9
	DIMBAAR FASE AFSNIJDING GEZANDSTRAALD	COUPE PHASE DESCENDANTE SABLE	FALLING EDGE DIMMABLE SANDBLASTED	PHASENABSCHNITT DIMMUNG GESANDSTRÄHLTES	REGULACION DE CORTE DESCENDENTE SATINADO	REGOLAZIONE CON DIMMER A TAGLIO DI FASE SATINATO
	VEILIGHEIDSGLAS	VERRE DE SECURITE	SAFETY GLASS	EINSCHLEIBEN SICHERHEITSGLAS	CRISTAL DE SEGURIDAD	VETRO DI SICUREZZA
	AFMETINGEN IN MM	DIMENSIONS EN MM	DIMENSIONS IN MM	ABMESSUNGEN IN MM	DIMENSIONES EN MM	DIMENSIONI IN MM
	TOLERANTIE VOLGENS DIN-NORMEN	TOLERANCE CONFORME AUX NORMES DIN	TOLERANCE ACCORDING TO DIN-SPECIFICATIONS	TOLERANZ NACH DIN-NORMEN	TOLERANCIA SEGUN LAS NORMAS DIN	TOLLERANZE A NORME DIN
	TOLERANTIES EXTRUSIE	TOLERANCES EXTRUSION	TOLERANCES EXTRUSION	TOLERANZEN EXTRUSION	TOLERANCIA EXTRUSION	TOLLERANZA ESTRUSIONE
	TOLERANTIES ANODISATIE	TOLERANCES ANODISATION	TOLERANCES ANODISATION	TOLERANZEN ELOXIERUNG	TOLERANCIA ANODIZADO	TOLLERANZA ANODIZZATO
	TOLERANTIES LAKWERK	TOLERANCES LAQUAGE	TOLERANCES COATING	TOLERANZEN LACKIERUNG	TOLERANCIA LACA	TOLLERANZA LACCA
	GEREGISTREERD DESIGN	MODÈLE DÉPOSÉ	REGISTERED DESIGN	REGISTRIERTES DESIGN	DISEÑO REGISTRADO	MODELLO DEPOSITATO
	LED TOESTEL	LUMINAIRE À LED	LED LUMINAIRE	LED LEUCHTE	FUENTE LED	APPARECCHIO ALIMENTATO A LED
	GESCHIKT VOOR TOEPASSING IN BADKAMERS (**)	APPLICABLE POUR SALLES DE BAINS (**)	SUITABLE FOR USE IN BATHROOM (**)	GEEIGNET FÜR INSTALLATION IM BADEZIMMER (**)	ILUMINACIÓN APTO PARA USO EN BAÑOS (**)	ILLUMINAZIONE ADATTA PER L'AMBIENTE BAGNO (**)
	PAG TEC 9	PAG TEC 9	PAG TEC 9	PAG TEC 9	PAG TEC 9	PAG TEC 9
	PAG TEC 12-13	PAG TEC 12-13	PAG TEC 12-13	PAG TEC 12-13	PAG TEC 12-13	PAG TEC 12-13



*) CEBEC IS THE BELGIAN CERTIFICATION BODY IN THE FIELD OF ELECTRICAL EQUIPMENT. IT IS PARTICIPATING IN THE CB SCHEME SINCE IT IS ACCREDITED AS A CERTIFICATION BODY FOR THE CERTIFICATION OF PRODUCTS ACCORDING TO EN 45011 AND THE CERTIFICATION OF QUALITY SYSTEMS ACCORDING TO THE STANDARD EN 45012.

**) CHECK COMPLIANCE WITH LOCAL REGULATIONS.

*PRODUCTS MANUFACTURED ACCORDING TO IEC/EN 60598-1 AND THE APPLICABLE SECTIONS OF IEC/EN 60598-2

INDEX BY NAME

B

BUTLER P 303	111
BUTLER P 303 DOWN-UP	111
BUTLER P 304	111
BUTLER P 304 DOWN-UP	111
BUTLER P 306	111
BUTLER P 306 DOWN-UP	111
BUTLER P 809	113
BUTLER P 809 DOWN-UP	113
BUTLER P 814	113
BUTLER P 814 DOWN-UP	113
BUTLER W 927 DIM8	52
BUTLER W 927 DOWN-UP DIM8	53
BUTLER W 930 DIM8	52
BUTLER W 930 DIM8	52 / 108
BUTLER W 930 DOWN-UP DIM8	53
BUTLER W 930 DOWN-UP DIM8	53 / 109
BUTLER W D 927 DIM8	53
BUTLER W D 927 DOWN-UP DIM8	53
BUTLER W D 930 DIM8	53
BUTLER W D 930 DOWN-UP DIM8	53, 109

C

CIRCLE LED 92740	25
CIRCLE LED 93040	25

D

DEEP RINGO Hi IP S2	27
DEEP RINGO Hi S2	27
DEEP RINGO LED IP44 2733-9	27
DEEP RINGO LED IP44 3033-9	27
DIRO TRIMLESS OK LED 2733-9	22
DIRO TRIMLESS OK LED 3033-9	22

F

FIFTY LED DOWN-UP 927	57
FIFTY LED DOWN-UP 930	57
GRAND REO TRIMLESS 92720	23

G

GRAND REO TRIMLESS 92735	23
GRAND REO TRIMLESS 93020	23
GRAND REO TRIMLESS 93035	23
GYN 1 FRAME	18
GYN SNAP-IN 92718	18
GYN SNAP-IN 92733	18
GYN SNAP-IN 93018	18
GYN SNAP-IN 93033	18
GYN SNAP-IN SOFT DIM	18
GYN OK 1 FRAME	19
GYN OK SNAP-IN 92718	19
GYN OK SNAP-IN 92733	19
GYN OK SNAP-IN 93018	19
GYN OK SNAP-IN 93033	19
GYN OK SNAP-IN SOFT DIM W	19

L

LDL15 - PROFILE	71
-----------------	----

M

MICRO REO 92735 S1	23
MICRO REO 93035 S1	23
MIDISPY JAC 92740	33
MIDISPY JAC 93040	33
MIDISPY M10 92740	99
MIDISPY M10 93040	99

MINIGRID IN 1 FRAME	29
MINIGRID IN 2 FRAME	29
MINIGRID SNAP-IN GU10 LED	29
MINIGRID SNAP-IN GU10 LED	29
MINIGRID IN TRIMLESS 1 FRAME	28
MINIGRID IN TRIMLESS 2 FRAME	28
MINIGRID SNAP-IN GU10 LED	28
MINIGRID SNAP-IN GU10 LED	28

O

ORBIT LED 927 DIM8	55
ORBIT LED 930 DIM8	55

P

PINTOR 63 ON 1 92733 DIM8	39
PINTOR 63 ON 1 93033 DIM8	39
PINTOR 63 ON 2 92733 DIM8	39
PINTOR 63 ON 2 93033 DIM8	39
PINTOR 63 ST BR 92718 S1	13
PINTOR 63 ST BR 92733 S1	13
PINTOR 63 ST BR 93018 S1	13
PINTOR 63 ST BR 93033 S1	13
PINTOR 63 ST SOFT DIM S1	12
PINTOR 63 ST XR09 92716 S1	13
PINTOR 63 ST XR09 92733 S1	13
PINTOR 63 ST XR09 93016 S1	13
PINTOR 63 ST XR09 93033 S1	13
PINTOR 63 ST XR19 92743 S1	13
PINTOR 63 ST XR19 92755 S1	13
PINTOR 63 ST XR19 93043 S1	13
PINTOR 63 ST XR19 93055 S1	13
PINTOR 63 TRIMLESS BR 92718	11
PINTOR 63 TRIMLESS BR 92733	11
PINTOR 63 TRIMLESS BR 93018	11
PINTOR 63 TRIMLESS BR 93033	11
PINTOR 63 TRIMLESS SOFT DIM	10
PINTOR 63 TRIMLESS XR09 92716	11
PINTOR 63 TRIMLESS XR09 92733	11
PINTOR 63 TRIMLESS XR09 93016	11
PINTOR 63 TRIMLESS XR09 93033	11
PINTOR 63 TRIMLESS XR19 92743	11
PINTOR 63 TRIMLESS XR19 92755	11
PINTOR 63 TRIMLESS XR19 93043	11
PINTOR 63 TRIMLESS XR19 93055	11
PINTOR 90 ON 1 92720 DIM7	39
PINTOR 90 ON 1 92735 DIM7	39
PINTOR 90 ON 1 93020 DIM7	39
PINTOR 90 ON 1 93035 DIM7	39
PINTOR 90 ST BR 92720 S1	17
PINTOR 90 ST BR 92735 S1	17
PINTOR 90 ST BR 93020 S1	17
PINTOR 90 ST BR 93035 S1	17
PINTOR 90 ST XR09 952711 S1	17
PINTOR 90 ST XR09 952724 S1	17
PINTOR 90 ST XR09 953011 S1	17
PINTOR 90 ST XR09 953024 S1	17
PINTOR 90 ST XR19 952742 S1	17
PINTOR 90 ST XR19 952757 S1	17
PINTOR 90 ST XR19 953042 S1	17
PINTOR 90 ST XR19 953057 S1	17
PINTOR 90 TRIMLESS BR 92720	15
PINTOR 90 TRIMLESS BR 92735	15
PINTOR 90 TRIMLESS BR 93020	15
PINTOR 90 TRIMLESS BR 93035	15
PINTOR 90 TRIMLESS XR09 952711	15
PINTOR 90 TRIMLESS XR09 952724	15
PINTOR 90 TRIMLESS XR09 953011	15
PINTOR 90 TRIMLESS XR09 953024	15
PINTOR 90 TRIMLESS XR19 952742	15
PINTOR 90 TRIMLESS XR19 952757	15
PINTOR 90 TRIMLESS XR19 953042	15
PINTOR 90 TRIMLESS XR19 953057	15

R

RINGO LED 92740	25
RINGO LED 93040	25
RINGO LED IP 92740	25
RINGO LED IP 93040	25

S

SHL 18 - PROFILE	TEC 8
SHL 19 - PROFILE	TEC 8
SHL 20 ST - PROFILE	TEC 8
SPL16 - PROFILE	70
SPLITBOX 2	31
SPLITBOX 3	31

SPLITBOX SPOT 50	31
SPLITBOX SPOT 50 Hi	31
SPLITBOX SPY 92718	31
SPLITBOX SPY 92733	31
SPLITBOX SPY 93018	31
SPLITBOX SPY 93033	31
SPLITBOX SPOT 50	31
SPLITBOX SPOT 50 Hi	31
SPLITBOX SPY 92718	31
SPLITBOX SPY 92733	31
SPLITBOX SPY 93018	31
SPLITBOX SPY 93033	31
SPT ON - PROFILE	82
SPT PRO - PROFILE	78
SPY CLIP Hi	37
SPY HP JAC 92733	35
SPY HP JAC 93033	35
SPY HP M10 92733	99
SPY HP M10 93033	99
SPY JAC 92718	35
SPY JAC 92733	35
SPY JAC 93018	35
SPY JAC 93033	35
SPY M10 92718	99
SPY M10 92733	99
SPY M10 93018	99
SPY M10 93033	99
SPY ON Hi	37
SRL 70L - PROFILE	95
SRL 70S - PROFILE	95
SRL 85 - PROFILE	94
SRL TR - PROFILE	94
SUPER-OH! 120 DOWN-UP 82720	49
SUPER-OH! 120 DOWN-UP 83020	49
SUPER-OH! 120 SBL	47
SUPER-OH! 120 SBL DOWN-UP DIM5	47
SUPER-OH! 120 TRIMLESS SBL DIM1	43
SUPER-OH! 120 TRIMLESS SBL DIM5	43
SUPER-OH! 170 DOWN-UP 82720	49
SUPER-OH! 170 DOWN-UP 83020	49
SUPER-OH! 70 DOWN-UP 82720	49
SUPER-OH! 70 DOWN-UP 83020	49
SUPER-OH! 70 SBL	47
SUPER-OH! 70 SBL DOWN-UP	47
SUPER-OH! 70 TRIMLESS SBL DIM1	43
SUPER-OH! 70 TRIMLESS SBL DIM5	43
SUPER-OH! XS 25 DIM8	44
SUPER-OH! XS 39 C DIM8	45
SUPER-OH! XS 39 DIM8	44
SUPER-OH! XS PIVOT 25 AD DIM8	45
SUPER-OH! XS PIVOT 25 DIM8	44
SUPER-OH! XS PIVOT 39 AD DIM8	45
SUPER-OH! XS PIVOT 39 DIM8	44

T

TIGA LED 827 DIM8	59
TIGA LED 830 DIM8	59

W

WANT-IT L 927 DIM8	61
WANT-IT L 930 DIM8	61
WANT-IT S 927 DIM8	61
WANT-IT S 930 DIM8	61
WANT-IT S X 827	61
WANT-IT S X 830	61
WANT-IT S X 830	61 / 107
WINCE 100	63
WINCE 160	63
WINCE 160 DOWN-UP	63

Manufacturer Delta Light® nv

Product Design - Research - Development: Delta Light® Team & Nice 2C

Coordination - Concept: Delta Light® Team & Nice 2C

Graphic Design - Realisation: Delta Light® Team & Nice 2C

Finally, to everyone who contributed in some way to the realisation of The Lighting Bible® 11 New Collection... **Thanks.**

Copyright © Delta Light® nv

FIRST EDITION 03-2016

SECOND EDITION 05-2016

DOC GE / 330

Made in Belgium

For the latest edition of The Lighting Bible® & The Lighting Bible® 11 New Collection please visit www.deltalight.com/publications

All information in this catalogue is provided for information purposes only and Delta Light® nv makes no representations about the accuracy or completeness of the information in this catalogue. Delta Light® nv may, in its sole discretion, revise the information and technical data contained herein at any time without notice. The catalogue does not contain any guarantee on the Delta Light® nv products nor any warranty of merchantability or fitness for a particular purpose or use. All Delta Light® products are supplied without lamps and any lamp data is given as a mere example.

The general terms & conditions of Delta Light® nv shall be applicable on each sale of a Delta Light® product. Any trademarks, text, images, graphics and other information in this catalogue are the sole property and subject to the intellectual property rights of Delta Light® nv and may not be copied, modified or used for any purpose without Delta Light®'s prior written consent.

Innovative use of combined heat and power technology when printing this product reduced CO₂ emissions by up to 52% in comparison to conventional methods in Germany.



WORLD WIDE

For additional product information,
technical downloads, project inspiration,
contact details and much more... please go to
www.deltalight.com

Whether you access the site via your desktop
computer or mobile device, an inspiring
platform opens up with up-to-date content,
exciting images, extensive product information,
upgraded user experience...
all in a fresh look & feel.

The **product search engine** will quickly guide
you to the right product page, where you can
download 3D files, product data sheets,
manual, IES files and drawings.

The **My Delta Light® Toolbox**
helps you to quickly collect, save, download
and share images and product information.
Start creating your personal shortlists and
share them with your partner, client, architect,
electrical installer or other people involved in
your project. You are free to use this feature
without login, or you can register to save and
edit multiple pinlists.

If you are looking for a contact person in your
region or country please go to
www.deltalight.com/contact

Enjoy your visit.



HQ

Headquarters
Delta Light[®] nv
Muizelstraat 2
B-8560 Wevelegem (Moorsele)
Belgium
Phone: +32 (0)56 435 735
Fax: +32 (0)56 435 736
E-mail: info@deltalight.com
www.deltalight.com

OFFICES

Asia
Delta Light Asia
Phone: +852 3486 3789
E-mail: asia@deltalight.com
www.deltalight.asia

Southeast Asia
Phone: +66 980 165 965

East Asia
Phone: +852 6010 2092

Denmark
Delta Light Denmark Aps
Phone: +45 3311 4429
E-mail: info@deltalight.dk
www.deltalight.dk

Italy
Delta Light Italia S.r.l.
Phone¹⁾: +39 0 571 82226
Phone²⁾: +39 0 571 93541
Fax: +39 0 571 83594
E-mail: info@deltalight.it
www.deltalight.it

Poland
Delta Light Poland
Phone: +48 698 33 00 03
E-mail: poland@deltalight.com
www.deltalight.pl

Switzerland
Delta Light AG
Phone: +41 (0)61 485 99 10
Fax: +41 (0)61 485 99 11
E-mail: info@deltalight.ch
www.deltalight.ch

Belgium / Luxembourg
Delta Light[®] nv
Phone: +32 (0)56 435 735
Fax: +32 (0)56 435 736
E-mail: info@deltalight.be
www.deltalight.be

France
Delta Light SAS
Phone: +33 (0)9 70 73 52 42
Phone: +33 (0)9 70 73 52 43
E-mail: info@delta-light.fr
www.delta-light.fr

Latin America
Delta Light Latin America
Mobile: +32 492 724 070
E-mail: info@deltalight-latin.com
www.deltalight-latin.com

Colombia
Phone: +57 1 749 5307
Mobile: +57 321 202 5501
E-mail: colombia@deltalight-latin.com

Mexico
Mobile: +52 155 4082 1342
E-mail: mexico@deltalight-latin.com

Russia, Eastern Europe, Middle Asia
Delta Light REEMA
reema@deltalight.com
www.deltalight.ru

Moscow
Phone: +7 926 03 888 93

Saint-Petersburg
Phone: +7 921 79 183 88

The Netherlands
Delta Light Nederland B.V.
Phone: +31 (0)88 80 40 600
Fax: +31 (0)88 80 40 699
E-mail: info@deltalight.nl
www.deltalight.nl

Canada
Delta Light Canada Inc.
Phone: +1 905 813 6130
Fax: +1 289 805 7388
E-mail: canada@deltalight.com
www.deltalight.ca

Germany / Austria
DELTA LINE + LIGHT GmbH
Phone: +49 (0)2451 4090-0
Fax: +49 (0)2451 4090-200
E-mail: info@deltalight.de
www.deltalight.de

Slovakia
Delta Light Slovakia s.r.o.
Phone: +421 2 6353 0180
Fax: +421 2 6353 0181
E-mail: info@deltalight.sk
www.deltalight.sk

United Kingdom
Delta Light UK LTD
Phone: +44 (0)870 757 7087
Fax: +44 (0)207 620 0985
E-mail: info@deltalight.co.uk
www.deltalight.co.uk

Czech Republic
Delta Light Czech s.r.o.
Phone¹⁾: +420 241 740 775
Phone²⁾: +420 241 740 776
E-mail: info@deltalight.cz
www.deltalight.cz

India
Delta Light India
Phone: +91 98 10 228 494
E-mail: india@deltalight.com
www.deltalight.com

Middle East & North Africa
Delta Light Mena
Phone: +961 1 491 175
Fax: +961 1 491 173
E-mail: sales@deltalight-mena.com
www.deltalight-mena.com

Dubai
Phone: +971 52 530 35 90

Spain
Iluminación Delta Light España S.A.
Phone: +34 (0)93 586 19 00
Fax: +34 (0)93 697 95 00
E-mail: marketing@deltalight.es
www.deltalight.es

USA
Delta Light USA, LLC.
Phone: +1 (954) 677 9800
Fax: +1 (954) 677 1007
E-mail: info@deltalight.us
www.deltalight.us

New York
Phone: +1 (646) 709 5605

deltalight.com/contact

